

UNLESS OTHERWISE NOTED

DIMENSIONS ARE IN INCHES

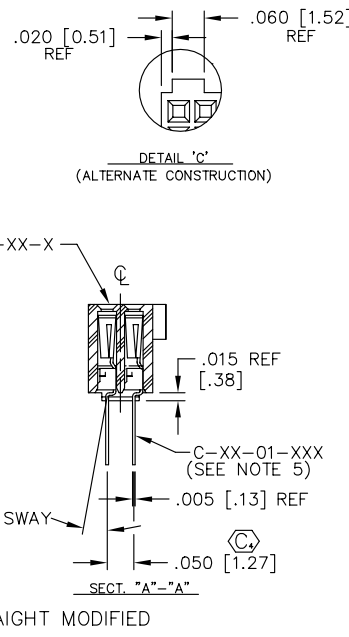
TOLERANCES ARE:

ONE PLACE DECIMALS ± .1	THREE PLACE DECIMALS ± .005	ANGLES ± 2°
TWO PLACE DECIMALS ± .01	FOUR PLACE DECIMALS ± .0020	

TITLE: .050 X .050 SOCKET STRIP DOUBLE ROW ASSEMBLY

DWG NO: SFM-1XX-XX-XXX-D-XX

SHEET 1 OF 3

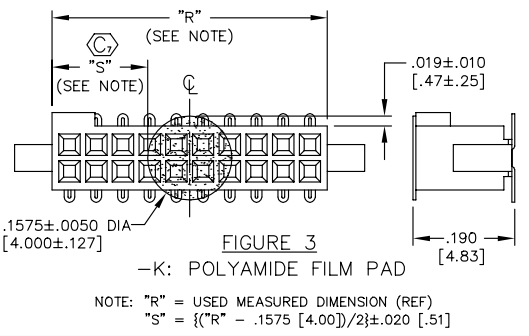
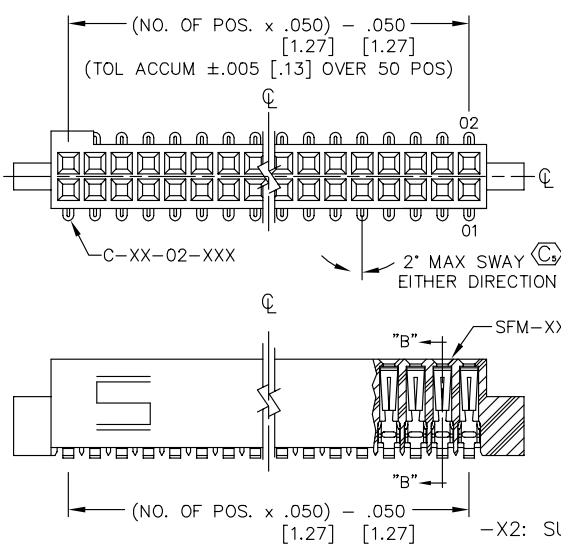


SFM-1XX-XX-XXX-D-XX

- NO. OF POSITIONS
ALL POSITIONS AVAILABLE
-5 THRU -50
USE BODY: (SFM-XX-D-XX-X)
- LEAD STYLE
- 01: THROUGH HOLE
USE CONTACT: (C-44-01-XXX)
(SEE FIG. 1, SHT. 1)
 - 02: SURFACE MOUNT
USE CONTACT: (C-44-02-XXX)
(SEE FIG. 2, SHT. 1)
 - 03: STRAIGHT MODIFIED
USE CONTACT: (C-44-03-XXX)
(SEE FIG. 1, SHT. 1)
 - L1: THROUGH HOLE (LOW INSERTION)
USE CONTACT: (C-61-01-XXX)
(SEE FIG. 1, SHT. 1)
 - L2: SURFACE MOUNT (LOW INSERTION)
USE CONTACT: (C-61-02-XXX)
(SEE FIG. 2, SHT. 1)
 - L3: STRAIGHT MODIFIED (LOW INSERTION)
USE CONTACT: (C-61-03-XXX)
(SEE FIG. 1, SHT. 1)
 - T1: THROUGH HOLE (PHOS BRONZE)
USE CONTACT: (C-119-01-XXX)
(SEE FIG. 1, SHT. 1)
 - T2: SURFACE MOUNT (PHOS BRONZE)
USE CONTACT: (C-119-02-XXX)
(SEE FIG. 2, SHT. 1)
- OPTIONS
- (LEAVE BLANK FOR STANDARD AND USE SFM-XX-D)
 - N: NO POLARIZATION NOTCH (USE SFM-XX-D-XX-N)
 - A: ALIGNMENT PIN (USE SFM-XX-D-A-X) (SEE FIGURE 5, SHT. 1)
 - LC: LOCKING CLIP (SEE FIGURE 7) (USE (2) LC-05-TM & SFM-XX-D-LC-X) (AVAILABLE ON ALL LEADS)
 - P: PICK AND PLACE PAD (SEE FIG 6, SHT 2)
 - TR: TAPE & REEL (SEE FIG 4, SHT 3)
 - K: POLYAMIDE FILM PAD (.005 [.13] THICKNESS WITH SILICONE ADHESIVE) (SEE FIG 3) (USE K-500-300)
- BODY SPECIFICATION
- D: DOUBLE ROW
- PLATING SPECIFICATION
- S: SELECTIVE - SPECIFY -S IN PLATING SUFFIX -XXX
 - P: GOLD FLASHED PALLADIUM NICKEL - SPECIFY -P IN PLATING SUFFIX -XXX
 - F: FLASH SELECTIVE GOLD - SPECIFY -F IN PLATING SUFFIX -XXX
 - H: HEAVY GOLD - SPECIFY -H IN PLATING SUFFIX -XXX
 - L: SELECTIVE LIGHT GOLD - SPECIFY -L IN PLATING SUFFIX -XXX
 - STL: SELECTIVE GOLD/TIN-LEAD TAIL SPECIFY -STL IN PLATING SUFFIX -XXX (ONLY AVAILABLE ON -02 OR -L2 LEADSTYLES)
 - SM: SELECTIVE GOLD/MATTE TIN TAIL SPECIFY -S IN SUFFIX -XXX
 - LM: LIGHT SELECTIVE GOLD/MATTE TIN TAIL SPECIFY -L IN PLATING SUFFIX -XXX
 - FM: FLASH SELECTIVE GOLD/MATTE TIN TAIL SPECIFY -F IN PLATING SUFFIX -XXX
- TABLE 1
- | SUFFIX | TAIL LENGTH "A" | TAIL WIDTH "B" |
|--------|-----------------|----------------|
| -X1 | .120 [3.05] | .020 [.51] |
| -X3 | .075 [1.91] | .016 [.41] |

* = NOT RELEASED

DIFFERENT AS SHOWN OTHERWISE SAME AS FIG. 1



- NOTES:
- MIN. PUSHOUT FORCE: 5 lb.
 - COPLANARITY: .004=POS 05 THRU 26
.006=POS 27 THRU 50
 - Ⓞ REPRESENTS CRITICAL DIMENSION
 - TUBE ALL POSITIONS.
 - PINS CAN BE ORIENTED IN ANY DIRECTION; BOTH ROWS MUST FACE SAME WAY.
 - SEE NOTCH FOR PROPER ORIENTATION.
 - .003 [.08] MAXIMUM PIN HEIGHT VARIATION BETWEEN ANY TWO PINS.

PROPRIETARY NOTE
THIS DOCUMENT CONTAINS INFORMATION CONFIDENTIAL AND PROPRIETARY TO SAMTEC INC. AND SHALL NOT BE REPRODUCED OR TRANSFERRED TO OTHER DOCUMENTS OR DISCLOSED TO OTHERS OR USED FOR ANY PURPOSE OTHER THAN THAT FOR WHICH IT WAS OBTAINED WITHOUT THE EXPRESSED WRITTEN CONSENT OF SAMTEC INC.

MATERIAL:
INSULATOR:
BLACK LIQUID
CRYSTAL POLYMER

CONTACT MATERIAL:
TIGER EYE =BeCu
TIGER EYE LITE =
PHOSPHOR BRONZE

EXISPROD\ASSEMBLY\050
SFM-ASM1

samtec

520 PARK EAST BLVD. NEW ALBANY, INDIANA 47150
PHONE (812) 944-6733 P.O. BOX 1147
CODE 55322

MADE BY: JORDAN 12/11/89

SFM-1XX-XX-XXX-D-XX
SHEET 1 OF 3

FIGURE 5
-A OPTION
DIFFERENT AS SHOWN, OTHERWISE SAME AS FIGURE 1

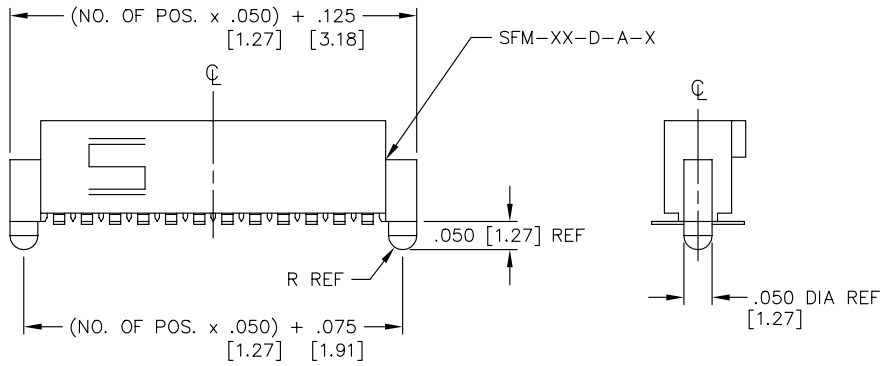


FIGURE 6
-P OPTION
DIFFERENT AS SHOWN, OTHERWISE SAME AS FIGURE 1
(PAD TO BE POSITIONED AS SHOWN)

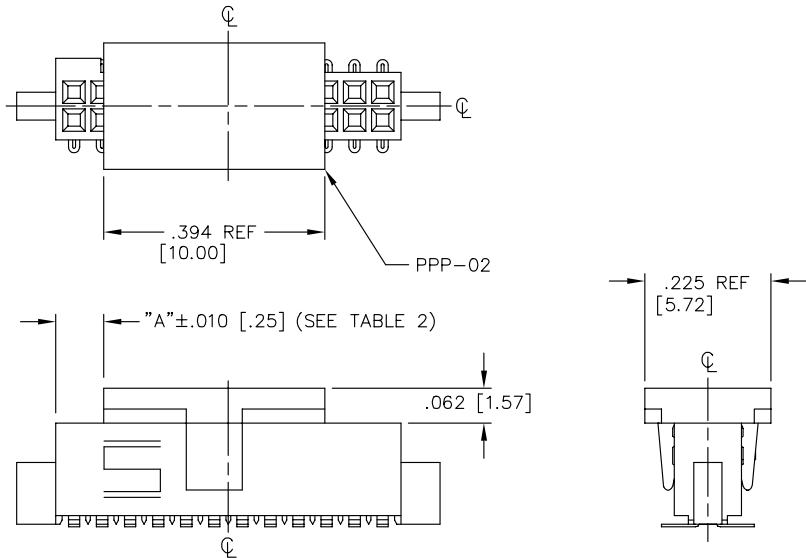
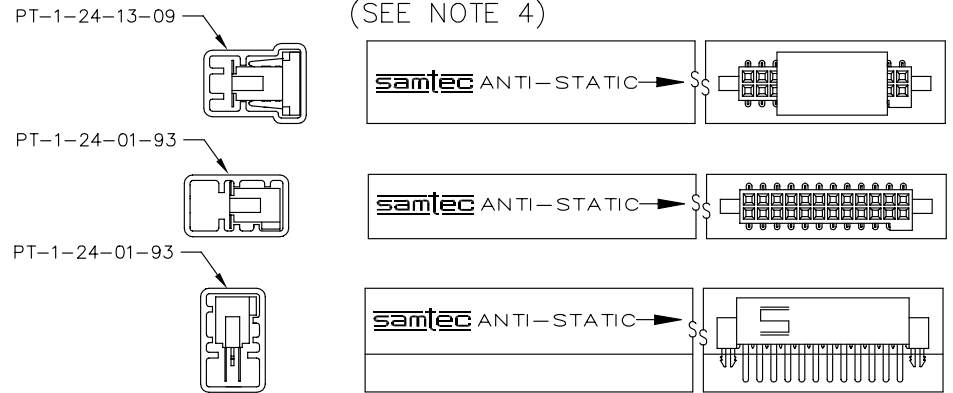


TABLE 2	
POS.	"A"
ODD	{{(No. OF POS x .050 [1.27]) / 2} - .1895 [4.813]}
EVEN	{{(No. OF POS x .050 [1.27]) / 2} - .2145 [5.448]}

PROPRIETARY NOTE
THIS DOCUMENT CONTAINS INFORMATION CONFIDENTIAL AND PROPRIETARY TO SAMTEC INC. AND SHALL NOT BE REPRODUCED OR TRANSFERRED TO OTHER DOCUMENTS OR DISCLOSED TO OTHERS OR USED FOR ANY PURPOSE OTHER THAN THAT FOR WHICH IT WAS OBTAINED WITHOUT THE EXPRESSED WRITTEN CONSENT OF SAMTEC INC.

DIMENSIONS ARE IN INCHES		UNLESS OTHERWISE NOTED		TOLERANCES ARE:		TITLE: .050 X .050	DWG NO:
ONE PLACE DECIMALS ± .1	THREE PLACE DECIMALS ± .005	ANGLES ± 2°	FOUR PLACE DECIMALS ± .0020		SOCKET STRIP		SFM-1XX-XX-XXX-D-XX
TWO PLACE DECIMALS ± .01				DOUBLE ROW ASSEMBLY		SHEET 2 OF 3	

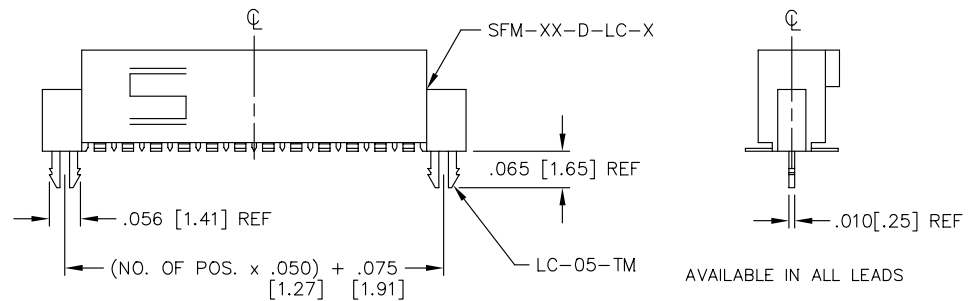
PACKAGE PARTS IN TUBE AS SHOWN
(SEE NOTE 4)



LEAD STYLE	PACKAGING TUBE	PLUG
-105-X2-X-D, -105-X2-X-D-LC, -105-X2-D-A	PT-1-24-14-09	TP-24-02
-X1-D, -X3-D, -X1-D-LC, -X3-D-LC (NO P&P PAD), -X1-D-A, -X3-D-A	PT-1-24-01-93	TP-24-02
-X1-D-P, -X1-D-LC-P (W/ P&P PAD), -X1-D-A-P	PT-1-24-02-17	TP-09
-X2-D, -X2-D-K, -X2-D-LC (NO P&P PAD), -X2-D-A, -X2-D-K-A	PT-1-24-14-09	TP-24-02
-X2-D-P, -X3-D-P, -X2-D-K-LC, -X2-D-LC-P (W/ P&P PAD), -X2-D-A-P, -X3-D-A-P	PT-1-24-13-09	TP-24

5 POS -01 AND -03 LEAD STYLES MAY BE TUBED USING PT-1-24-15-09, TP-24-02

FIGURE 7: -LC OPTION
DIFFERENT AS SHOWN, OTHERWISE SAME AS FIGURE 1



EXISPROD\ASSEMBLY\050
SFM-ASM2

samtec

520 PARK EAST BLVD. NEW ALBANY, INDIANA 47150
PHONE (812) 944-6733 P.O. BOX 1147
CODE 55322

MADE BY: JORDAN 12/11/89

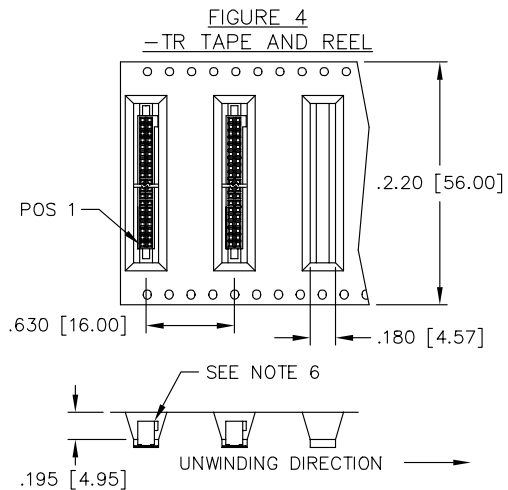
SFM-1XX-XX-XXX-D-XX
SHEET 2 OF 3

REV. BZ

DIMENSIONS ARE IN INCHES		UNLESS OTHERWISE NOTED	
TOLERANCES ARE:		ANGLES	
ONE PLACE DECIMALS ± .1	THREE PLACE DECIMALS ± .005	± 2°	
TWO PLACE DECIMALS ± .01	FOUR PLACE DECIMALS ± .0020		

TITLE: .050 X .050
SOCKET STRIP
DOUBLE ROW ASSEMBLY

DWG NO:
SFM-1XX-XX-XXX-D-XX
SHEET 3 OF 3



PROPRIETARY NOTE
THIS DOCUMENT CONTAINS INFORMATION
CONFIDENTIAL AND PROPRIETARY TO
SAMTEC INC. AND SHALL NOT BE
REPRODUCED OR TRANSFERRED TO
OTHER DOCUMENTS OR DISCLOSED TO
OTHERS OR USED FOR ANY PURPOSE
OTHER THAN THAT FOR WHICH IT WAS
OBTAINED WITHOUT THE EXPRESSED
WRITTEN CONSENT OF SAMTEC INC.

EXISPROD\ASSEMBLY\050
SFM-ASM3

samtec

520 PARK EAST BLVD. NEW ALBANY, INDIANA 47150
PHONE (812) 944-6733 P.O. BOX 1147
CODE 55322

MADE BY: JORDAN 12/11/89

SFM-1XX-XX-XXX-D-XX
SHEET 3 OF 3