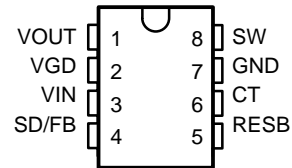


- 1-V Input Voltage Operation Start-Up Ensured Under Full Load on Main Output, and Operation Down to 0.5 V
- 200-mW Output Power at Battery Voltages as Low as 0.8 V
- Secondary 7-V Supply from a Single Inductor
- Output Fully Disconnected in Shutdown
- Adaptive Current Mode Control for Optimum Efficiency
- High Efficiency Over Wide Operating Range
- 6- μ A Shutdown Supply Current
- Output Reset Function with Programmable Reset Period

PW PACKAGE
(TOP VIEW)



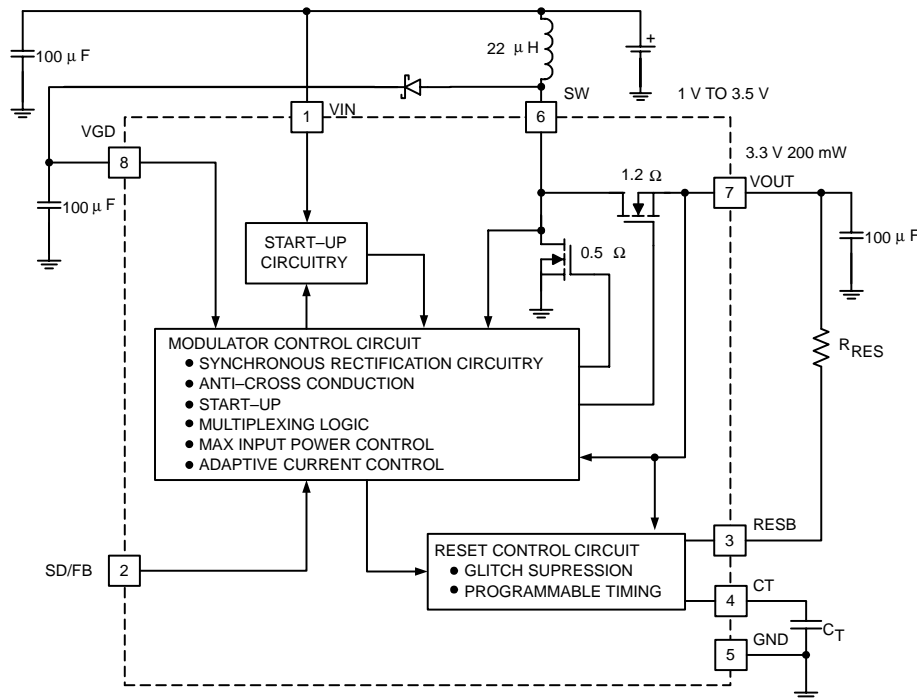
D OR N PACKAGE
(TOP VIEW)



description

The UCCx9411 family of low-input voltage, single-inductor-boost converters is optimized to operate from a single or dual alkaline cell, and steps up to a 3.3-V, 5-V, or adjustable output at 200 mW. The UCCx9411 family also provides an auxiliary 7-V output, primarily for the gate-drive supply, which can be used for applications requiring an auxiliary output, such as 5 V, by linear regulating. The primary output starts up under full load at input voltages typically as low as 0.8 V with a ensured max of 1 V, and operates down to 0.5 V once the converter is operating, thereby maximizing battery usage.

simplified block diagram and application circuit



NOTE A: Pinout shown is for the TSSOP Package. Consult Package Descriptions for the DIP and SOIC configurations.



Please be aware that an important notice concerning availability, standard warranty, and use in critical applications of Texas Instruments semiconductor products and disclaimers thereto appears at the end of this data sheet.

UCC29411, UCC29412, UCC29413, UCC39411, UCC39412, UCC39413 LOW-POWER SYNCHRONOUS BOOST CONVERTER

SLUS245D – MARCH 2000 – REVISED NOVEMBER 2000

description (continued)

The UCCx9411 family is designed to accommodate demanding applications such as pagers and cell phones that require high efficiency over a wide operating range of several milli-watts to a couple of hundred milli-watts. High efficiency at low output current is achieved by optimizing switching and conduction losses with a low total quiescent current. At higher output current, the 0.5-Ω switch and 1.2-Ω synchronous rectifier along with continuous mode conduction provide high power efficiency. The wide input voltage range of the UCCx9411 family can accommodate other power sources such as NiCd and NimH.

The UCCx9411 family also provides shutdown control. Packages available are the 8-pin SOIC (D), 8-pin DIP (N), and 8-pin TSSOP (PW) to optimize board space.

absolute maximum ratings over operating free-air temperature (unless otherwise noted)†

Input voltage, VIN	-0.3 V to 10 V
Input voltage, SD	-0.3 V to VIN
Input voltage, VGD	-0.3 V to 14 V
Input voltage, SW	-0.3 V to 15 V
Output voltage, VOUT	-0.3 V to 10 V

† Stresses beyond those listed under “absolute maximum ratings” may cause permanent damage to the device. These are stress ratings only, and functional operation of the device at these or any other conditions beyond those indicated under “recommended operating conditions” is not implied. Exposure to absolute-maximum-rated conditions for extended periods may affect device reliability.

‡ Currents are positive into, negative out of the specific terminal. Consult Packaging Section of the *Portable Products Data Book* (TI Literature Number SLUD001) for thermal limitations and considerations of packages.

AVAILABLE OPTIONS

T _J	Package PW			Package D or N					
	Output Voltage			Output Voltage					
	ADJ	3.3 V	5 V	ADJ		3.3 V		5 V	
-40°C to 85°C	29411PW	29412PW	29413PW	29411D	29411N	29412D	29412N	29413D	29413N
0°C to 70°C	39411PW	39412PW	39413PW	39411D	39411N	39412D	39412N	39413D	39413N



UCC29411, UCC29412, UCC29413, UCC39411, UCC39412, UCC39413 LOW-POWER SYNCHRONOUS BOOST CONVERTER

SLUS245D – MARCH 2000 – REVISED NOVEMBER 2000

electrical characteristics, $T_J = 0^\circ\text{C}$ to 70°C for the UCC3941x, $T_J = -40^\circ\text{C}$ to 85°C for the UCC2941x, $V_{IN} = 1.25\text{ V}$ for UCC39411, UCC39412, $V_{IN} = 2.5\text{ V}$ for the UCC39413, $T_A = T_J$

PARAMETER	TEST CONDITIONS	UCC3941x			UCC1941x UCC2941x			UNITS
		MIN	TYP	MAX	MIN	TYP	MAX	
Input Voltage Section								
Minimum start-up voltage	No external VGD load, $I_{OUT} = 60\text{ mA}$, $T_J = 25^\circ\text{C}$, See Note 1	0.8		1	0.08		1	V
	No external VGD load, See Note 1, $I_{OUT} = 60\text{ mA}$	0.9		1.1	1.2		1.4	V
Minimum dropout voltage	No external VGD load, $I_{OUT} = 10\text{ mA}$, See Note 1			0.5			0.7	V
Input voltage range		1.1		3.2	1.3		3.2	V
Quiescent supply current	See Note 2		6	12		8	16	μA
Supply current at shutdown	SD = GND		6	12		8	16	μA
Output Section								
Quiescent supply current	See Note 2		15	28		20	37	μA
Supply current at shutdown	SD = GND		3	6		5	10	μA
Regulation voltage (UCC39412)	$1\text{ V} < V_{IN} < 3\text{ V}$	3.2	3.3	3.39	3.15	3.3	3.45	V
	$1\text{ V} < V_{IN} < 3\text{ V}$, $0\text{ mA} < I_{OUT} < 60\text{ mA}$, See Note 1	3.17	3.3	3.43	3.11	3.3	3.5	V
Regulation voltage (UCC39413)	$1\text{ V} < V_{IN} < 5\text{ V}$	4.85	5	5.15	4.78	5	5.23	V
	$1\text{ V} < V_{IN} < 5\text{ V}$, $0\text{ mA} < I_{OUT} < 60\text{ mA}$, See Note 1	4.8	5	5.2	4.71	5	5.3	V
ADJ voltage (UCC39411)	$1\text{ V} < V_{IN} < 3\text{ V}$	1.212	1.25	1.288	1.194	1.25	1.306	V
Maximum output voltage (UCCx9411)				5.5			5.5	V
VGD Output Section								
Quiescent supply current	See Note 2		20	40		27	55	μA
Supply current at shutdown	SD = GND		20	40		27	55	μA
Regulation voltage (UCC39411/2)	$1\text{ V} < V_{IN} < 3\text{ V}$	6.3	7	7.7	6.3	7	7.7	V
	$1\text{ V} < V_{IN} < 3\text{ V}$, $0\text{ mA} < I_{OUT} < 10\text{ mA}$, See Note 1	6.3	7	7.7	6.3	7	7.7	V
Regulation voltage (UCC39413)	$1\text{ V} < V_{IN} < 5\text{ V}$	7.7	8.5	9.3	7.7	8.5	9.3	V
	$1\text{ V} < V_{IN} < 5\text{ V}$, $0\text{ mA} < I_{OUT} < 10\text{ mA}$, See Note 1	7.7	8.5	9.3	7.7	8.5	9.3	V
Inductor Charging Section (L = 22 μH)								
Peak discontinuous current	Operating range, L = 22.1 μH	180	250	300	180	250	300	mA
Peak continuous current		385	550	715	385	550	715	mA
Charge switch $R_{DS(on)}$	D package		0.5	0.75		0.6	0.85	Ω
Current limit delay	See Note 1		50			50		ns
Synchronous Rectifier Section								
Rectifier $R_{DS(on)}$	D package		1.2	1.8		1.4	2.16	Ω

NOTES: 1. Ensured by design. Not production tested.

2. For the UCC39411 $V_B = 1.306\text{ V}$, $V_{GD} = 7.7\text{ V}$, For the UCC39412 $V_{OUT} = 3.5\text{ V}$ and $V_{GD} = 7.7\text{ V}$, For the UCC39413 $V_{OUT} = 5.3\text{ V}$, $V_{GD} = 9.3\text{ V}$.



UCC29411, UCC29412, UCC29413, UCC39411, UCC39412, UCC39413

LOW-POWER SYNCHRONOUS BOOST CONVERTER

SLUS245D – MARCH 2000 – REVISED NOVEMBER 2000

electrical characteristics, $T_J = 0^\circ\text{C}$ to 70°C for the UCC3941x, $T_J = -40^\circ\text{C}$ to 85°C for the UCC2941x, $V_{IN} = 1.25\text{ V}$ for UCC39411, UCC39412, $V_{IN} = 2.5\text{ V}$ for the UCC39413, $T_A = T_J$ (continued)

PARAMETER	TEST CONDITIONS	UCC3941x			UCC1941x UCC2941x			UNITS
		MIN	TYP	MAX	MIN	TYP	MAX	UNITS
Shutdown Section								
Threshold		0.4	0.6	0.8	0.2	0.6	0.9	V
Input bias current	SD = GND	2	5	15	2	5	15	μA
	SD = 1.25 V		5	20		20	100	nA
Reset Section								
Threshold (UCC39411)		1.08	1.125	1.17	1.07	1.125	1.18	V
Threshold (UCC39412)		2.85	2.97	3.09	2.83	2.97	3.11	V
Threshold (UCC39413)		4.32	4.5	4.68	4.3	4.5	4.7	V
Reset period	$C_T = 0.15\ \mu\text{F}$	113	188	300	94	188	300	ms
V_{OUT} to reset delay	V_{OUT} falling at $-1\text{ mV}/\mu\text{s}$, See Note 1		60			60		μs
Sink current		1	20		1	20		mA
Output low voltage	$I_{OUT} = 500\ \mu\text{A}$			0.1			0.1	V
Output leakage				0.5			0.5	μA

NOTES: 1. Ensured by design. Not production tested.

2. For the UCC39411 $FB = 1.306\text{ V}$, $V_{GD} = 7.7\text{ V}$, For the UCC39412 $V_{OUT} = 3.5\text{ V}$ and $V_{GD} = 7.7\text{ V}$, For the UCC39413 $V_{OUT} = 5.3\text{ V}$, $V_{GD} = 9.3\text{ V}$.

pin assignments

VIN: Input voltage to supply the IC during start-up. After the output is running the IC draws power from V_{OUT} or V_{GD} .

SW: An inductor is connected between this pin and V_{IN} . The V_{GD} (gate drive supply) flyback diode is also connected to this pin. When servicing the main output supply this pin pulls low, charging the inductor, then shuts off dumping the energy through the synchronous rectifier to the output. When servicing the V_{GD} supply, the internal synchronous rectifier stays off and the energy is diverted to V_{GD} through the flyback diode. During discontinuous portions of the inductor current, a MOSFET resistively connects V_{IN} to SW damping excess circulating energy to eliminate undesired high-frequency ringing.

VGD: The V_{GD} pin, which is coarsely regulated around 7 V (8.5 V for the UCC39413), is primarily used for the gate drive supply for the power switches in the IC. This pin can be loaded with up to 10 mA as long as it does not present a load at voltages below 2 V (this ensures proper start-up of the IC). The V_{GD} supply can go as low as 6.3 V without interfering with the servicing of the main output. When below 6.3 V , V_{GD} has the highest priority.

VOUT: Main output voltage (3.3 V , 5 V , or adjustable), has highest priority in the multiplexing scheme, as long as V_{GD} is above the critical level of 6.3 V . Startup at full load is achievable at input voltages down to 1 V .

CT: This pin provides the timer for determining the reset period. The period is controlled by placing a capacitor to ground of value $C = (0.81e^{-6}) \times t$ where t is the desired reset period.

RESB: This pin provides an active low signal to alert the user when the main output voltage falls below 10% of its targeted value. The open-drain output can be used to reset a microcontroller that may be powered off of the main output voltage.

SD/FB: For the UCC39411, this pin is used to adjust the output voltage via a resistive divider from V_{OUT} . It also serves as the shutdown pin for all three versions. Pulling this pin low provides a shutdown signal to the IC.

GND: Ground of the IC.



APPLICATION INFORMATION

operation

A detailed block diagram of the UCC39411 is shown in Figure 1. Unique control circuitry provides high-efficiency power conversion for both light and heavy loads by transitioning between discontinuous and continuous conduction based on load conditions. Figure 2 depicts converter waveforms for the application circuit shown in Figure 3. A single 22- μ H inductor provides the energy pulses required for a highly efficient 3.3-V converter at up to 200-mW output power.

At time t1, the 3.3-V output voltage has dropped below its lower threshold, and the inductor is charged with an on time determined by: $t_{ON} = 5.5 \mu\text{s}/V_{IN}$. For a 1.25-V input and a 22- μ H inductor, the resulting peak current is approximately 250 mA. At time t2, the inductor begins to discharge with a minimum off time of approximately 1 ms. Under lightly loaded conditions, the amount of energy delivered in this single pulse satisfies the voltage-control loop, and the converter does not command any more energy pulses until the output again drops below the lower-voltage threshold.

At time t3, the VGD supply drops below its lower threshold, but the output voltage is still above its threshold point. This results in an energy pulse to the gate-drive supply at t4. In some cases, a single pulse supplied to VGD is insufficient to raise the VGD voltage level enough to satisfy the voltage loop. Under this condition, multiple pulses are supplied to VGD. Note that when the UCC3941x is servicing VGD only, the IC maintains a discontinuous mode of operation. After time t4, the 3.3-V output drops below its threshold and requests to be serviced once the VGD cycle has completed, which occurs at time t5.

Time t6 represents a transition between light load and heavy load. A single energy pulse is not sufficient to force the output voltage above its upper threshold before the minimum off time has expired and a second charge cycle is commanded. Since the inductor current does not reach zero in this case, the peak current is greater than 250 mA at the end of the next charge on time. The result is a ratcheting of inductor current until either the output voltage is satisfied, or the converter reaches its set current limit. At time t7, the gate drive voltage has dropped below its 7-V threshold but the converter continues to service the output because it has higher priority unless VGD drops below ≈ 6.3 V.

Between time t7 and t8, the converter reaches its peak current limit.

Once the peak current is reached, the converter operates in continuous mode with approximately 60-mA of inductor current ripple. At time t8, the 3.3-V output is satisfied and the converter can service the gate drive voltage, VGD, which occurs at time t9.

UCC29411, UCC29412, UCC29413, UCC39411, UCC39412, UCC39413 LOW-POWER SYNCHRONOUS BOOST CONVERTER

SLUS245D – MARCH 2000 – REVISED NOVEMBER 2000

APPLICATION INFORMATION

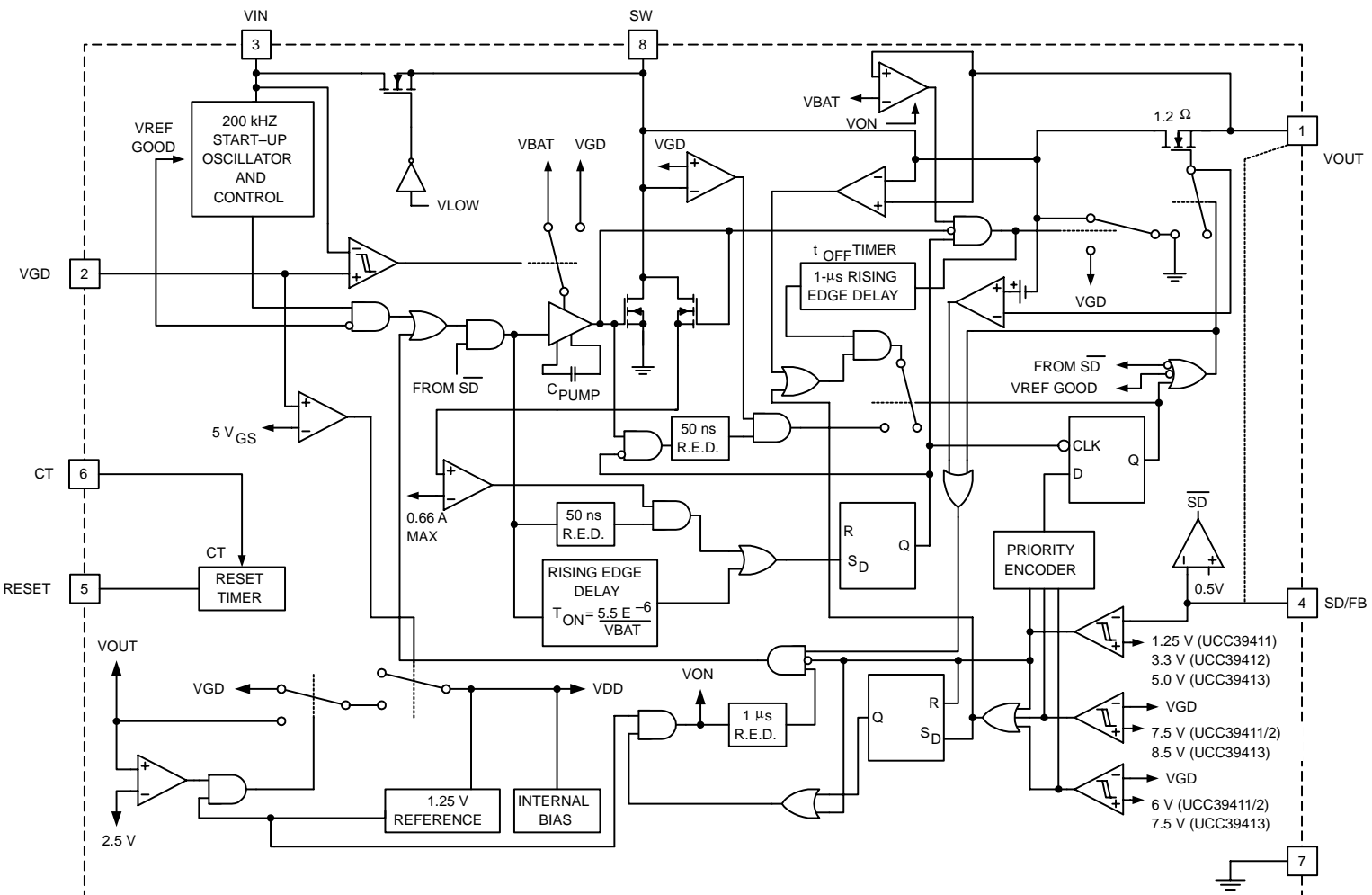


Figure 1. Low Power Synchronous Boost

NOTE A: Switches are shown in the low state. Pinouts as shown is for the 8-pin D, J, or N. See package descriptions for 8-pin SOIC.

APPLICATION INFORMATION

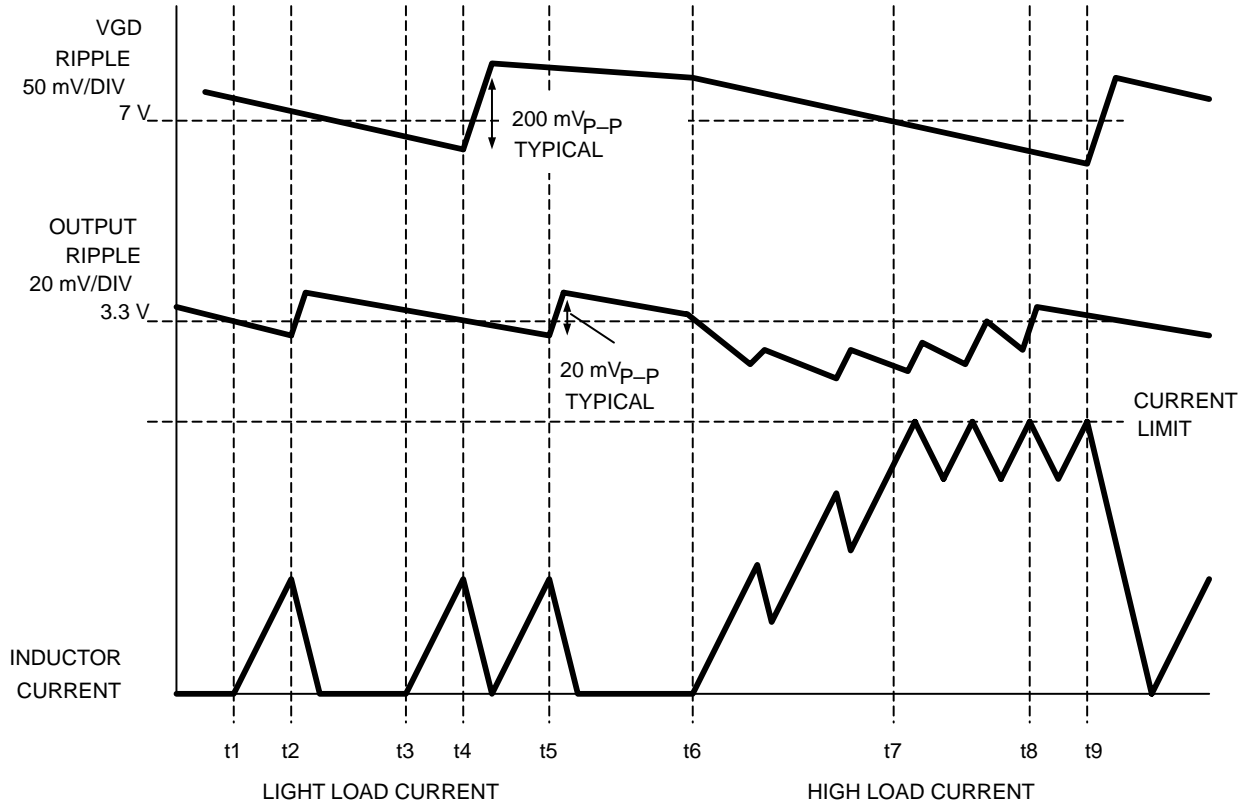


Figure 2. Inductor Current and Output Ripple Waveforms

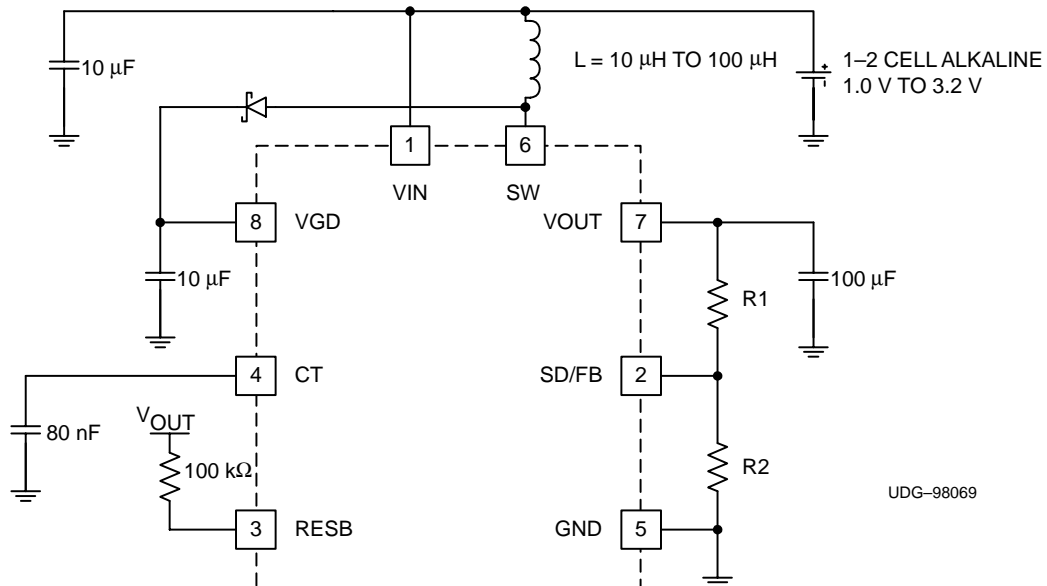


Figure 3. Low Power Synchronous Boost Converter ADJ Version –200 mW

NOTE A: Pinout shown is for the TSSOP Package. Consult Package Descriptions for the DIP and SOIC configurations.

UCC29411, UCC29412, UCC29413, UCC39411, UCC39412, UCC39413 LOW-POWER SYNCHRONOUS BOOST CONVERTER

SLUS245D – MARCH 2000 – REVISED NOVEMBER 2000

APPLICATION INFORMATION

shutdown control

Shutdown of the UCC3941x is controlled via the interface with the SD/FB pin. Pulling the SD/FB pin low, for all versions, causes the IC to go into shutdown. In the UCC39412 and UCC39413, the SD/FB pin is used solely as a shutdown function. Therefore, the SD/FB pin for the UCC39412 and UCC39413 can be directly controlled using conventional CMOS or transistor to transistor logic (TTL) technology. For the UCC39411, interface into the SD/FB is slightly more complicated due to the added feedback function. When feeding back the output voltage to the SD/FB pin on the UCC39411, the IC requires a Thevenin impedance of at least 200-k Ω (500-k Ω for industrial/military applications) to ground. Then, to accomplish shutdown of the IC, an open-drain device may be used.

component selection inductor selection

An inductor value of 22 μ H works well in most applications, but values between 10 μ H to 100 μ H are also acceptable. Lower value inductors typically offer lower ESR and smaller physical size. Due to the nature of the “bang-bang” controllers, larger inductor values typically result in larger overall voltage ripple, because once the output voltage level is satisfied the converter goes discontinuous, resulting in the residual energy of the inductor causing overshoot.

It is recommended to keep the ESR of the inductor below 0.15 Ω for 200-mW applications. A Coilcraft DT3316P-223 surface-mount inductor is acceptable because it has a current rating of 1.5 A and an ESR of 84 m Ω .

Other choices for surface-mount inductors are shown in Table 1.

Table 1. Inductor Suppliers

MANUFACTURER	PART NUMBERS
Coilcraft Cary, Illinois Tel: 708-639-2361 Fax: 708-639-1469	DT Series
Coiltronics Boca Raton, Florida Tel: 407-241-7876	CTX Series

output capacitor selection

Once the inductor value is selected, the capacitor value determines the ripple of the converter. The worst case peak-to-peak ripple of a cycle is determined by two components, one is due to the charge storage characteristic, and the other is the ESR of the capacitor. The worst case ripple occurs when the inductor is operating at max current and is expressed as follows:

$$\Delta V = \frac{(I_{CL})^2 L}{2C(V_O - V_I)} + I_{CL} C_{ESR}$$

APPLICATION INFORMATION

output capacitor selection (continued)

- I_{CL} = the peak inductor current = 550 mA
- ΔV = Output ripple
- V_O = Output voltage
- V_I = Input voltage
- C_{ESR} = ESR of the output capacitor

A Sanyo OS-CON series surface-mount capacitor (10SN100M) is acceptable. It has an ESR rating of 90 mΩ at 100 μF.

Other potential capacitor sources are shown in Table 2.

Table 2. Capacitor Supplies

MANUFACTURER	PART NUMBER
Sanyo Video Components San Diego, California Tel: 619-661-6322 Fax: 619-661-1055	OS-CON Series
AVX Sanford, Maine Tel: 207-282-5111 Fax: 207-283-1941	TPS Series
Sprague Concord, New Hampshire Tel: 603-224-1961	695D Series

input capacitor selection

Since the UCCx9411 family does not require a large decoupling capacitor on the input voltage to operate properly, a 10-μF cap is sufficient for most applications. Optimum efficiency occurs when the capacitor value is large enough to decouple the source impedance, this usually occurs for capacitor values in excess of 100 μF.

RESET operation

A reset function is provided to prevent the microprocessor from executing code during undervoltage conditions, typically during power up or power down. The reset voltage threshold is fixed at 90% of the output voltage for all versions of the UCCx941x. To prevent erratic operation in noisy environments, a glitch filter is provided.

To allow sufficient time for the microprocessor clock to stabilize, a user-programmable reset period is provided. The reset period, the time from the output voltage rising above 90% of nominal to RESB going high, is programmed via an external capacitor connected to the CT pin.

The reset period is defined as:

$$t_{RP} = C \times 1.25$$

where C is in μF, and t_{RP} is in seconds.

A typical reset profile during power up is shown in Figure 4 and power down in Figure 5.

UCC29411, UCC29412, UCC29413, UCC39411, UCC39412, UCC39413 LOW-POWER SYNCHRONOUS BOOST CONVERTER

SLUS245D – MARCH 2000 – REVISED NOVEMBER 2000

APPLICATION INFORMATION

POWER-UP SEQUENCE

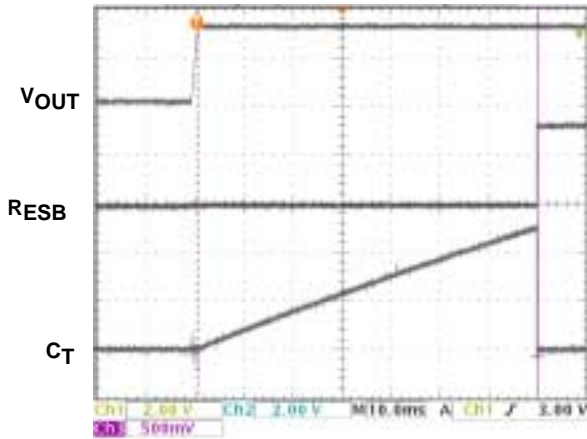


Figure 4

POWER-DOWN SEQUENCE

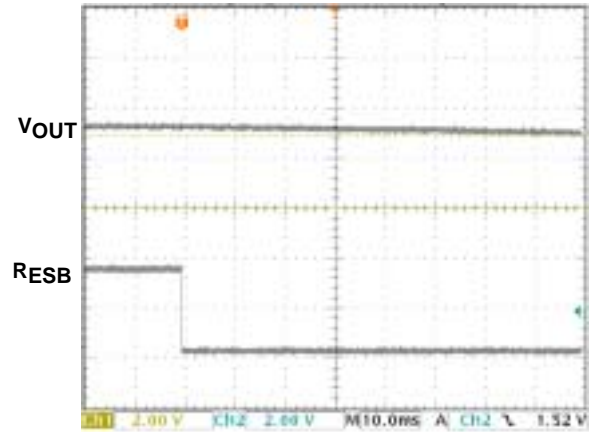


Figure 5

TYPICAL EFFICIENCY
VS
LOAD CURRENT

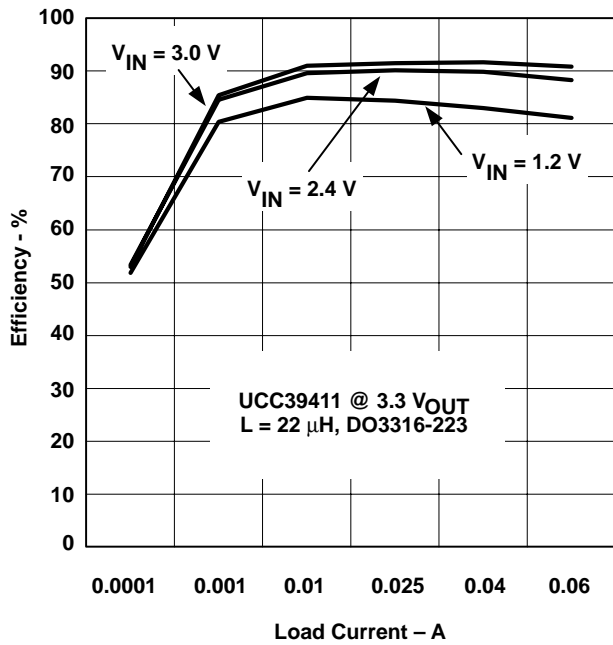


Figure 6

TYPICAL EFFICIENCY
VS
LOAD CURRENT

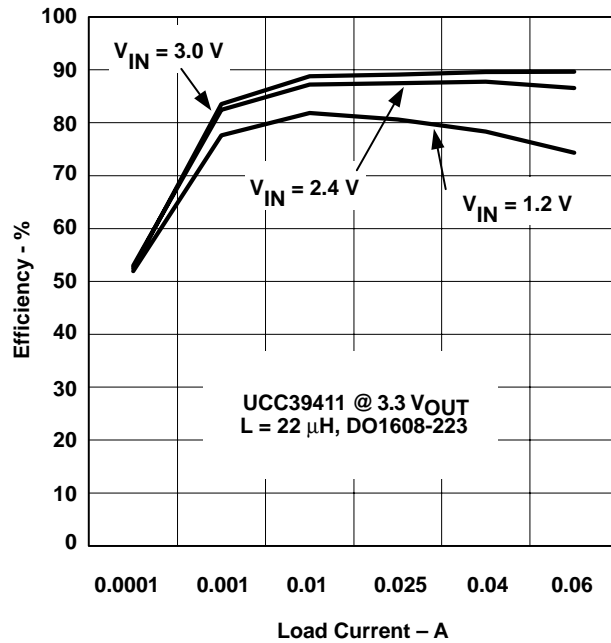


Figure 7

APPLICATION INFORMATION

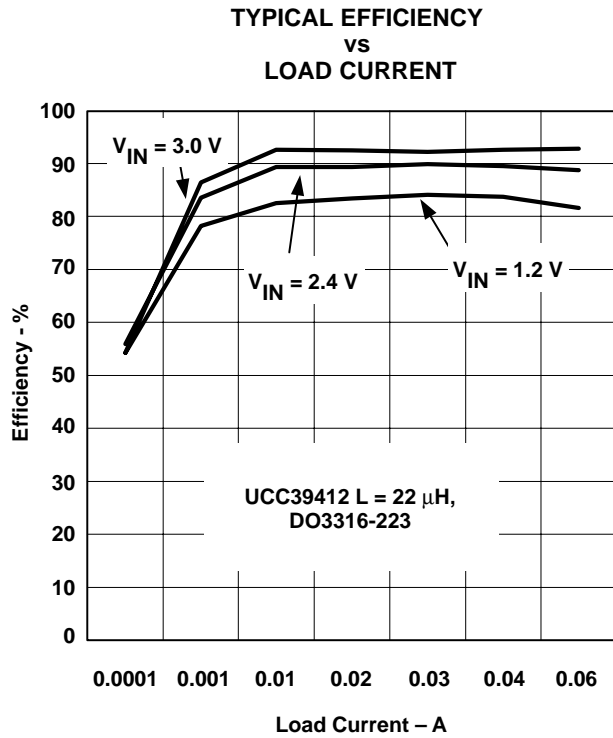


Figure 8

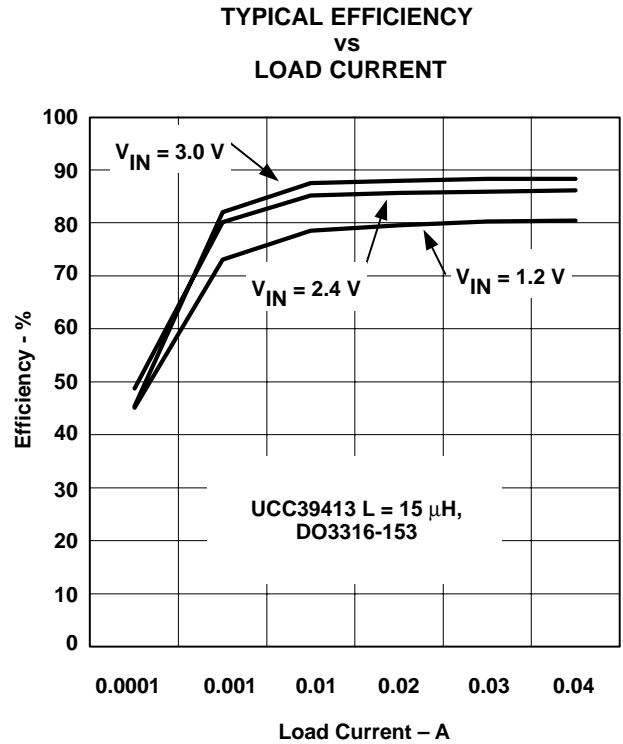


Figure 9

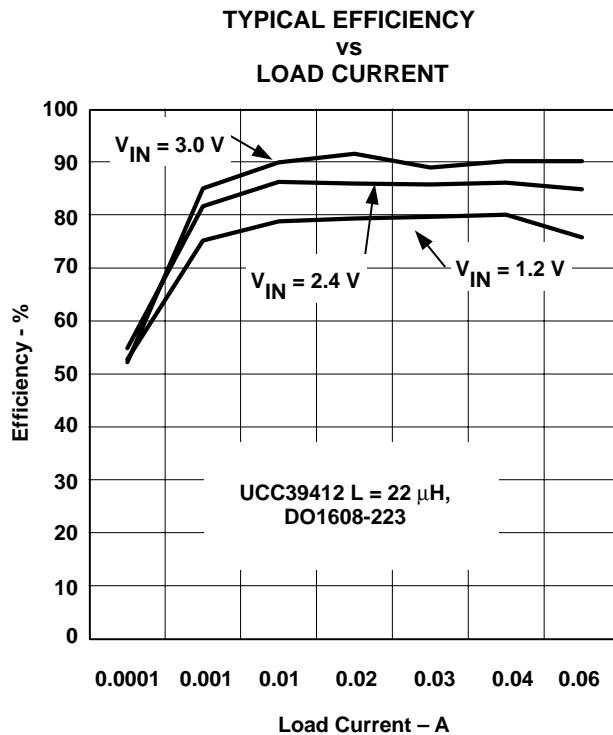


Figure 10

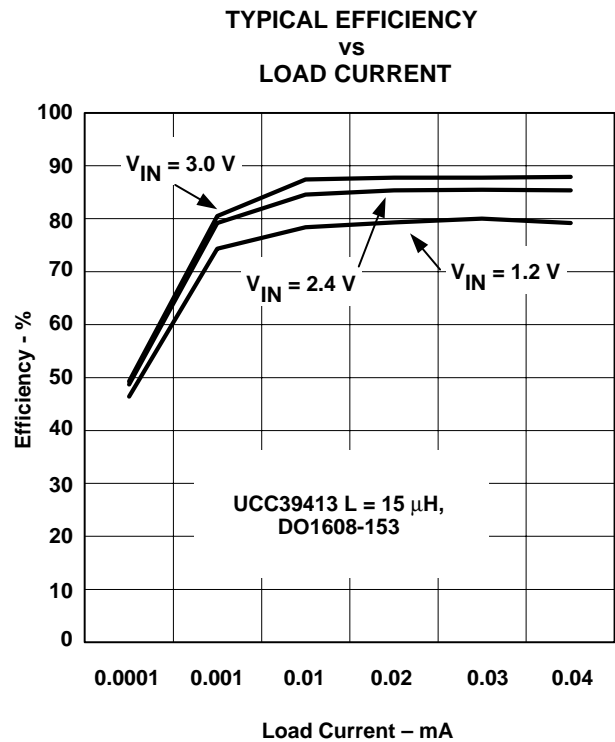


Figure 11

UCC29411, UCC29412, UCC29413, UCC39411, UCC39412, UCC39413 LOW-POWER SYNCHRONOUS BOOST CONVERTER

SLUS245D – MARCH 2000 – REVISED NOVEMBER 2000

APPLICATION INFORMATION

**TYPICAL EFFICIENCY
vs
LOAD CURRENT (TWO CELL
APPLICATION)**

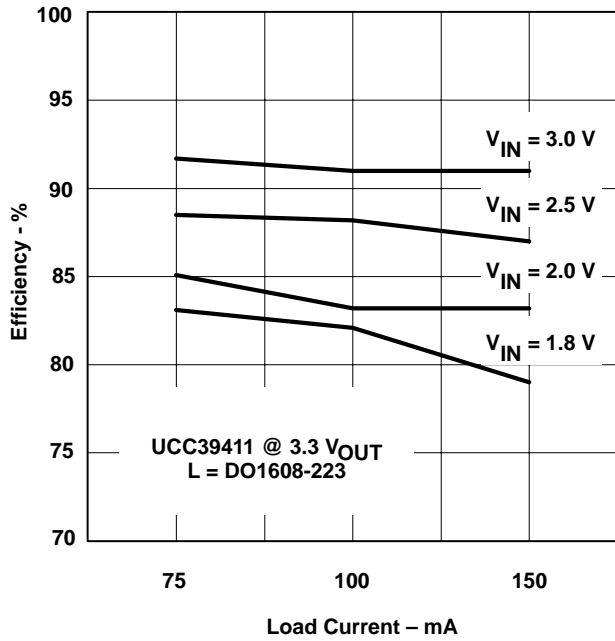


Figure 12

**MAXIMUM LOAD CURRENT,
2 CELL APPLICATION
vs
INPUT CURRENT**

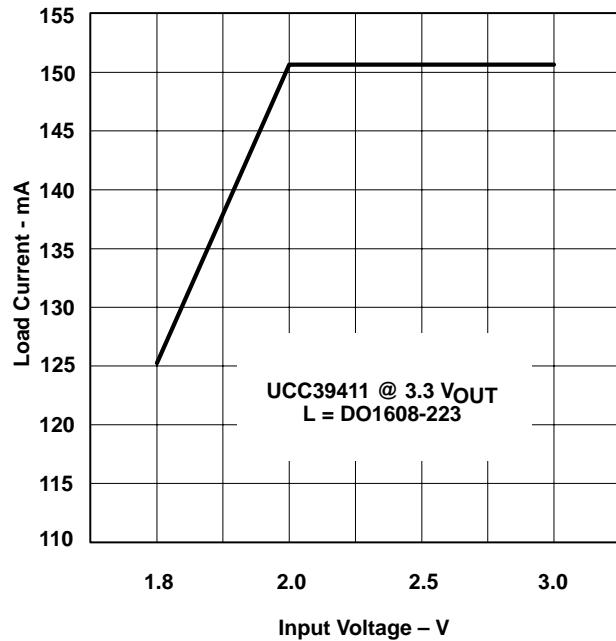


Figure 13

IMPORTANT NOTICE

Texas Instruments and its subsidiaries (TI) reserve the right to make changes to their products or to discontinue any product or service without notice, and advise customers to obtain the latest version of relevant information to verify, before placing orders, that information being relied on is current and complete. All products are sold subject to the terms and conditions of sale supplied at the time of order acknowledgment, including those pertaining to warranty, patent infringement, and limitation of liability.

TI warrants performance of its products to the specifications applicable at the time of sale in accordance with TI's standard warranty. Testing and other quality control techniques are utilized to the extent TI deems necessary to support this warranty. Specific testing of all parameters of each device is not necessarily performed, except those mandated by government requirements.

Customers are responsible for their applications using TI components.

In order to minimize risks associated with the customer's applications, adequate design and operating safeguards must be provided by the customer to minimize inherent or procedural hazards.

TI assumes no liability for applications assistance or customer product design. TI does not warrant or represent that any license, either express or implied, is granted under any patent right, copyright, mask work right, or other intellectual property right of TI covering or relating to any combination, machine, or process in which such products or services might be or are used. TI's publication of information regarding any third party's products or services does not constitute TI's approval, license, warranty or endorsement thereof.

Reproduction of information in TI data books or data sheets is permissible only if reproduction is without alteration and is accompanied by all associated warranties, conditions, limitations and notices. Representation or reproduction of this information with alteration voids all warranties provided for an associated TI product or service, is an unfair and deceptive business practice, and TI is not responsible nor liable for any such use.

Resale of TI's products or services with statements different from or beyond the parameters stated by TI for that product or service voids all express and any implied warranties for the associated TI product or service, is an unfair and deceptive business practice, and TI is not responsible nor liable for any such use.

Also see: [Standard Terms and Conditions of Sale for Semiconductor Products](http://www.ti.com/sc/docs/stdterms.htm). www.ti.com/sc/docs/stdterms.htm

Mailing Address:

Texas Instruments
Post Office Box 655303
Dallas, Texas 75265

PRODUCT FOLDER | PRODUCT INFO: [FEATURES](#) | [DESCRIPTION](#) | [DATASHEETS](#) | [PRICING/AVAILABILITY/PKG](#) | [RELATED DOCUMENTS](#)

UCC29412, Low Power Synchronous Boost Converter

DEVICE STATUS: **ACTIVE**

PARAMETER NAME	UCC29412	UCC39412
VCC (max) (V)	3.8	3.8
VCC (min) (V)	1	1
Preset Vout (V)	3.3	3.3
VOUT (max) (V)	3.3	3.3
VOUT (min) (V)	3.3	3.3
VOUT Accuracy (%)	3	3
Output Current (mA)	60	60
Efficiency (typ) (%)	85	85
Iq (typ) (mA)	0.048	0.048
Shutdown Current (typ) (uA)	6	6
Switching Frequency (max) (kHz)	500	500

FEATURES

[▲Back to Top](#)

- 1-V Input Voltage Operation Start-Up Ensured Under Full Load on Main Output, and Operation Down to 0.5 V
- 200-mW Output Power at Battery Voltages as Low as 0.8 V
- Secondary 7-V Supply from a Single Inductor
- Output Fully Disconnected in Shutdown
- Adaptive Current Mode Control for Optimum Efficiency
- High Efficiency Over Wide Operating Range
- 6-uA Shutdown Supply Current
- Output Reset Function with Programmable Reset Period

DESCRIPTION

[▲Back to Top](#)

The UCCx9411 family of low-input voltage, single-inductor-boost converters is optimized to operate from a single or dual alkaline cell, and steps up to a 3.3-V, 5-V, or adjustable output at 200 mW. The UCCx9411 family also provides an auxiliary 7-V output, primarily for the gate-drive supply, which can be used for applications requiring an auxiliary output, such as 5 V, by linear regulating. The primary output starts up under full load at input voltages typically as low as 0.8 V with an ensured max of 1 V, and operates down to 0.5 V once the converter is operating, thereby maximizing battery usage.

The UCCx9411 family is designed to accommodate demanding applications such as pagers and cell phones that require high efficiency over a wide operating range of several milli-watts to a couple of hundred milli-watts. High efficiency at low output current is achieved by optimizing switching and conduction losses with a low total quiescent current. At higher output current, the 0.5- Ω switch and 1.2- Ω synchronous rectifier along with continuous mode conduction provide high power efficiency. The wide input voltage range of the UCCx9411 family can accommodate other power sources such as NiCd and NiMH. The UCCx9411 family also provides shutdown control. Packages available are the 8-pin SOIC (D), 8-pin DIP (N), and 8-pin TSSOP (PW) to optimize board space.

TECHNICAL DOCUMENTS

[▲Back to Top](#)

To view the following documents, [Acrobat Reader 4.0](#) is required.

To download a document to your hard drive, right-click on the link and choose 'Save'.

Full datasheet in Acrobat PDF: [ucc29412.pdf](#) (206 KB, Rev.D) (Updated: 11/27/2000)

RELATED DOCUMENTS

- [Enhanced Plastic Portfolio Brochure](#) (SGZB004, 385 KB - Updated: 08/19/2002)
- [Military Analog Selection Guide](#) (SGLB002, 318 KB - Updated: 11/09/2000)
- [Military Semiconductors Selection Guide 2002 \(Rev. B\)](#) (SGYC003B, 1648 KB - Updated: 04/22/2002)

PRICING/AVAILABILITY/PKG

DEVICE INFORMATION							TI INVENTORY STATUS AS OF 4:00 PM GMT, 26 Sep 2002			REPORTED DISTRIBUTOR INVENTORY AS OF 4:00 PM GMT, 26 Sep 2002		
ORDERABLE DEVICE	STATUS	PACKAGE TYPE PINS	TEMP (°C)	PRODUCT CONTENT	BUDGETARY PRICING QTY SUS	STD PACK QTY	IN STOCK	IN PROGRESS QTY DATE	LEAD TIME	DISTRIBUTOR COMPANY REGION	IN STOCK	PURCHASE
UCC29412D	ACTIVE	SOP (D) 8	-40 TO 85	View Contents	1KU 1.39	75	N/A*	> 10k 01 Nov	6 WKS			
UCC29412P	ACTIVE	PDIP (P) 8	-40 TO 85	View Contents	1KU 1.39	50	N/A*	> 10k 06 Nov	7 WKS			
UCC29412PW	ACTIVE	TSSOP (PW) 8	-40 TO 85	View Contents	1KU 1.44	150	N/A*	> 10k 06 Nov	7 WKS			

Table Data Updated on: 9/26/2002



PRODUCT FOLDER | PRODUCT INFO: [FEATURES](#) | [DESCRIPTION](#) | [DATASHEETS](#) | [PRICING/AVAILABILITY/PKG](#) | [RELATED DOCUMENTS](#)

PRODUCT SUPPORT: [DEVELOPMENT TOOLS](#)

UCC29411, Low Power Synchronous Boost Converter

DEVICE STATUS: **ACTIVE**

PARAMETER NAME	UCC29411	UCC39411
VCC (max) (V)	5.5	5.5
VCC (min) (V)	1	1
VOUT (max) (V)	5	5
VOUT (min) (V)	2	2
VOUT Accuracy (%)	3	3
Output Current (mA)	60	60
Efficiency (typ) (%)	85	85
Iq (typ) (mA)	0.048	0.048
Shutdown Current (typ) (uA)	6	6
Switching Frequency (max) (kHz)	500	500

FEATURES

[▲Back to Top](#)

- 1-V Input Voltage Operation Start-Up Ensured Under Full Load on Main Output, and Operation Down to 0.5 V
- 200-mW Output Power at Battery Voltages as Low as 0.8 V
- Secondary 7-V Supply from a Single Inductor
- Output Fully Disconnected in Shutdown
- Adaptive Current Mode Control for Optimum Efficiency
- High Efficiency Over Wide Operating Range
- 6-uA Shutdown Supply Current
- Output Reset Function with Programmable Reset Period

DESCRIPTION

[▲Back to Top](#)

The UCCx9411 family of low-input voltage, single-inductor-boost converters is optimized to operate from a single or dual alkaline cell, and steps up to a 3.3-V, 5-V, or adjustable output at 200 mW. The UCCx9411 family also provides an auxiliary 7-V output, primarily for the gate-drive supply, which can be used for applications requiring an auxiliary output, such as 5 V, by linear regulating. The primary output starts up under full load at input voltages typically as low as 0.8 V with an ensured max of 1 V, and operates down to 0.5 V once the converter is operating, thereby maximizing battery usage.

The UCCx9411 family is designed to accommodate demanding applications such as pagers and cell phones that require high efficiency over a wide operating range of several milli-watts to a couple of hundred milli-watts. High efficiency at low output current is achieved by optimizing switching and conduction losses with a low total quiescent current. At higher output current, the 0.5- Ω switch and 1.2- Ω synchronous rectifier along with continuous mode conduction provide high power efficiency. The wide input voltage range of the UCCx9411 family can accommodate other power sources such as NiCd and NiMH. The UCCx9411 family also provides shutdown control. Packages available are the 8-pin SOIC (D), 8-pin DIP (N), and 8-pin TSSOP (PW) to optimize board space.

TECHNICAL DOCUMENTS

[▲Back to Top](#)

To view the following documents, [Acrobat Reader 4.0](#) is required.

To download a document to your hard drive, right-click on the link and choose 'Save'.

RELATED DOCUMENTS

[▲Back to Top](#)

- [Enhanced Plastic Portfolio Brochure](#) (SGZB004, 385 KB - Updated: 08/19/2002)
- [Military Analog Selection Guide](#) (SGLB002, 318 KB - Updated: 11/09/2000)
- [Military Semiconductors Selection Guide 2002 \(Rev. B\)](#) (SGYC003B, 1648 KB - Updated: 04/22/2002)

PRICING/AVAILABILITY/PKG

[▲Back to Top](#)

DEVICE INFORMATION							TI INVENTORY STATUS AS OF 4:00 PM GMT, 26 Sep 2002			REPORTED DISTRIBUTOR INVENTORY AS OF 4:00 PM GMT, 26 Sep 2002		
ORDERABLE DEVICE	STATUS	PACKAGE TYPE PINS	TEMP (°C)	PRODUCT CONTENT	BUDGETARY PRICING QTY \$US	STD PACK QTY	IN STOCK	IN PROGRESS QTY DATE	LEAD TIME	DISTRIBUTOR COMPANY REGION	IN STOCK	PURCHASE
UCC29411D	ACTIVE	SOP (D) 8	-40 TO 85	View Contents	1KU 1.39	75	N/A*		Not Available			
UCC29411P	ACTIVE	PDIP (P) 8	-40 TO 85	View Contents	1KU 1.39	50	N/A*		Not Available			
UCC29411PW	ACTIVE	TSSOP (PW) 8	-40 TO 85	View Contents	1KU 1.44	150	N/A*	>10k 06 Nov	7 WKS			

DEVELOPMENT TOOLS

[▲Back to Top](#)

Tool Part Number	Tool Title	Tool Type
UCC39411EVM	Low Input Voltage, Dual-Output Synchronous Boost Converter EVM	Development Boards/EVMs

Table Data Updated on: 9/26/2002

[Products](#) | [Applications](#) | [Support](#) | [TI&ME](#)

TEXAS INSTRUMENTS

© Copyright 1995-2002 Texas Instruments Incorporated. All rights reserved.

[Trademarks](#) | [Privacy Policy](#) | [Terms of Use](#)

PRODUCT FOLDER | PRODUCT INFO: [FEATURES](#) | [DESCRIPTION](#) | [DATASHEETS](#) | [PRICING/AVAILABILITY/PKG](#) | [RELATED DOCUMENTS](#)

UCC29413, Low Power Synchronous Boost Converter

DEVICE STATUS: **ACTIVE**

PARAMETER NAME	UCC29413	UCC39413
VCC (max) (V)	5.5	5.5
VCC (min) (V)	1	1
Preset Vout (V)	5	5
VOUT (max) (V)	5	5
VOUT (min) (V)	5	5
VOUT Accuracy (%)	3	3
Output Current (mA)	60	60
Efficiency (typ) (%)	85	85
Iq (typ) (mA)	0.048	0.048
Shutdown Current (typ) (uA)	6	6
Switching Frequency (max) (kHz)	500	500

FEATURES

[▲Back to Top](#)

- 1-V Input Voltage Operation Start-Up Ensured Under Full Load on Main Output, and Operation Down to 0.5 V
- 200-mW Output Power at Battery Voltages as Low as 0.8 V
- Secondary 7-V Supply from a Single Inductor
- Output Fully Disconnected in Shutdown
- Adaptive Current Mode Control for Optimum Efficiency
- High Efficiency Over Wide Operating Range
- 6-uA Shutdown Supply Current
- Output Reset Function with Programmable Reset Period

DESCRIPTION

[▲Back to Top](#)

The UCCx9411 family of low-input voltage, single-inductor-boost converters is optimized to operate from a single or dual alkaline cell, and steps up to a 3.3-V, 5-V, or adjustable output at 200 mW. The UCCx9411 family also provides an auxiliary 7-V output, primarily for the gate-drive supply, which can be used for applications requiring an auxiliary output, such as 5 V, by linear regulating. The primary output starts up under full load at input voltages typically as low as 0.8 V with an ensured max of 1 V, and operates down to 0.5 V once the converter is operating, thereby maximizing battery usage.

The UCCx9411 family is designed to accommodate demanding applications such as pagers and cell phones that require high efficiency over a wide operating range of several milli-watts to a couple of hundred milli-watts. High efficiency at low output current is achieved by optimizing switching and conduction losses with a low total quiescent current. At higher output current, the 0.5- Ω switch and 1.2- Ω synchronous rectifier along with continuous mode conduction provide high power efficiency. The wide input voltage range of the UCCx9411 family can accommodate other power sources such as NiCd and NiMH. The UCCx9411 family also provides shutdown control. Packages available are the 8-pin SOIC (D), 8-pin DIP (N), and 8-pin TSSOP (PW) to optimize board space.

TECHNICAL DOCUMENTS

[▲Back to Top](#)

To view the following documents, [Acrobat Reader 4.0](#) is required.

To download a document to your hard drive, right-click on the link and choose 'Save'.

Full datasheet in Acrobat PDF: [ucc29413.pdf](#) (206 KB, Rev.D) (Updated: 11/27/2000)

RELATED DOCUMENTS

- [Enhanced Plastic Portfolio Brochure](#) (SGZB004, 385 KB - Updated: 08/19/2002)
- [Military Analog Selection Guide](#) (SGLB002, 318 KB - Updated: 11/09/2000)
- [Military Semiconductors Selection Guide 2002 \(Rev. B\)](#) (SGYC003B, 1648 KB - Updated: 04/22/2002)

PRICING/AVAILABILITY/PKG

DEVICE INFORMATION							TI INVENTORY STATUS AS OF 4:00 PM GMT, 26 Sep 2002			REPORTED DISTRIBUTOR INVENTORY AS OF 4:00 PM GMT, 26 Sep 2002		
ORDERABLE DEVICE	STATUS	PACKAGE TYPE PINS	TEMP (°C)	PRODUCT CONTENT	BUDGETARY PRICING QTY SUS	STD PACK QTY	IN STOCK	IN PROGRESS QTY DATE	LEAD TIME	DISTRIBUTOR COMPANY REGION	IN STOCK	PURCHASE
UCC29413D	ACTIVE	SOP (D) 8	-40 TO 85	View Contents	1KU 1.39	75	N/A*	> 10k 06 Nov	7 WKS			
UCC29413P	ACTIVE	PDIP (P) 8	-40 TO 85	View Contents	1KU 1.39	50	N/A*	> 10k 06 Nov	7 WKS			
UCC29413PW	ACTIVE	TSSOP (PW) 8	-40 TO 85	View Contents	1KU 1.44	150	N/A*	> 10k 06 Nov	7 WKS			

Table Data Updated on: 9/26/2002

