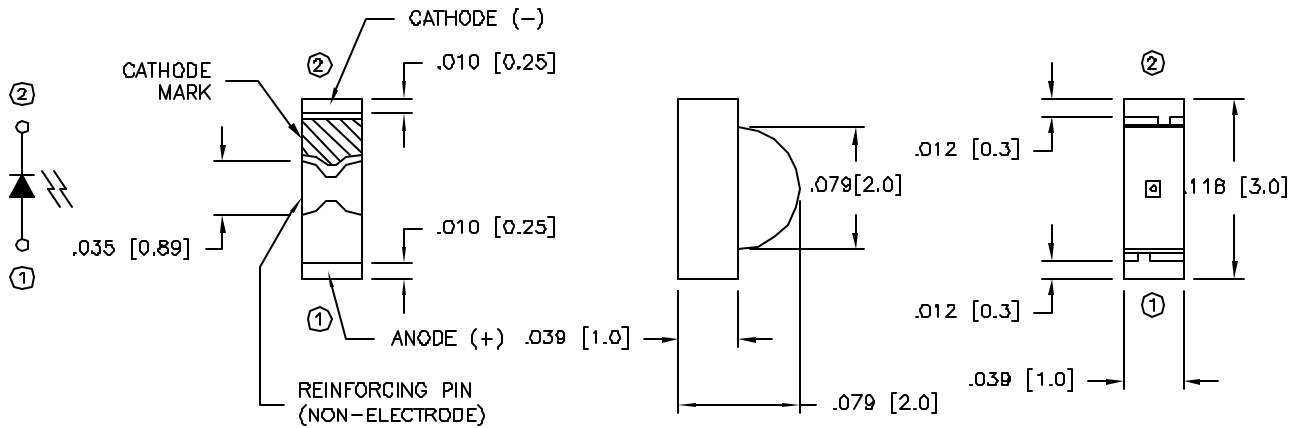
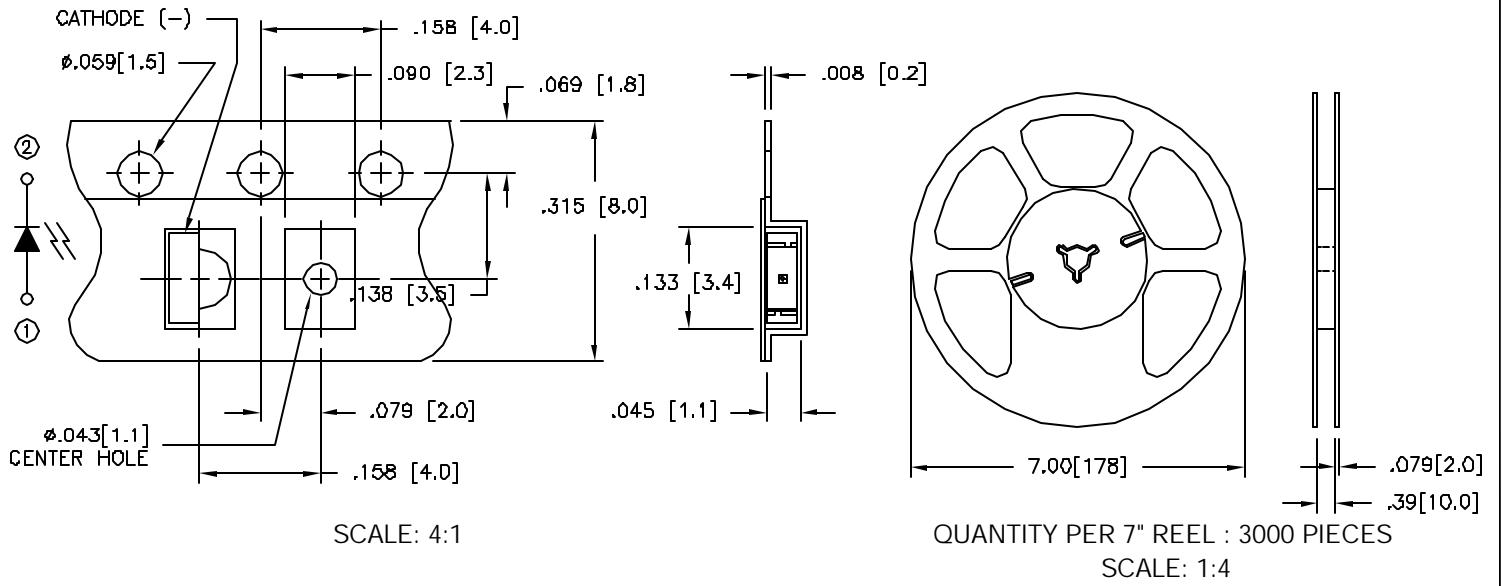
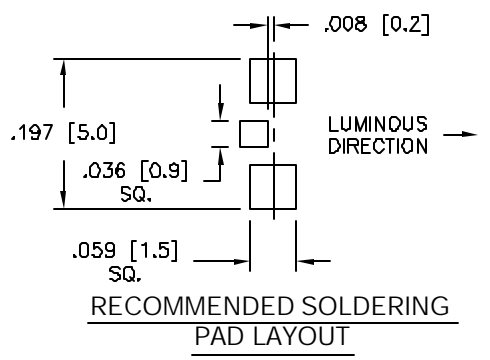


LTR	REVISION	DATE	APPD
-	RELEASED	07-15-96	



- NOTES:
1. ALL DIMS ARE IN INCHES (MILLIMETERS).
 2. SPECIFICATIONS ARE SUBJECT TO CHANGE WITHOUT NOTICE.

LEDTRONICS PART NO.	L.E.D. RADIATION COLOR	LENS	ELECTRO-OPTICAL CHARACTERISTICS (Ta=25°C)				
			Vf (V) typ	Vf (V) max	Ir (µA) max	Iv (mod) typ	λP (nm) nm
SMR10R6-TR	ULTRA RED	CLEAR	1.7	2.3	100	12.4	660
SMR10O4-TR	ORANGE		2.2	2.8	100	3.0	605
SMR10Y4-TR	YELLOW		2.2	2.8	100	3.0	580
SMR10LY4-TR	LIME YELLOW		2.1	2.8	100	8.8	570
SMR10G4-TR	GREEN		2.1	2.8	100	5.2	560
SMR10PG4-TR	PURE GREEN		2.1	2.8	100	2.4	555
TEST CONDITIONS			If=20mA	Vf=4V	If=20mA	If=20mA	



LED[®]
LEDTRONICS, INC.[™]
 4009 PACIFIC COAST HWY
 TORRANCE, CA 90505

PROPRIETARY.
 This document contains Proprietary information of LEDTRONICS, INC. It may not be copied, used or disclosed for any purpose without the prior express written consent of LEDTRONICS, INC.

.XXX ± .010 TOLERANCE PER ANSI-Y14.5
 .XX ± .025 (UNLESS OTHERWISE STATED)
 ANGLES ± 0°, 30°
 FRACT. ± 1/32

TITLE				SMR10X4-TR			
DWG NO	SCALE	SHEET	DATE	DWG NO	SCALE	SHEET	DATE
DSTR0024	1:1	1 OF 1	07-15-96	DSTR0024	1:1	1 OF 1	07-15-96
CODE IDENT NO.	DWG BY	CHK BY	QC	CUSTOMER			
8Z410	JCH						