

RECTIFIERS

Bridge Rectifiers

Operating/Storage Temperature Range -55°C to $+150^{\circ}\text{C}$

Type	Maximum Peak Reverse Voltage	Maximum Average Rectified Current @ Half-Wave Resistive Load 60Hz		Maximum Forward Peak Surge Current @ 8.3ms Superimposed	Maximum Reverse Current @ PRV @ 25°C T_A	Maximum Forward Voltage @ 25°C T_A	
	V_{PK}	I_o @ T_A	A_{AV}	$^{\circ}\text{C}$	I_{FM} (Surge) A_{PK}	I_R μA_{dc}	I_{FM} A_{PK}

2.0 Ampere/BR-8D

BR805DL	50	2.0	75	50	10	1.0	1.0
BR81DL	100	2.0	75	50	10	1.0	1.0
BR82DL	200	2.0	75	50	10	1.0	1.0
BR84DL	400	2.0	75	50	10	1.0	1.0
BR86DL	600	2.0	75	50	10	1.0	1.0
BR88DL	800	2.0	75	50	10	1.0	1.0
BR810DL	1000	2.0	75	50	10	1.0	1.0

NOTE: Glass Passivated Version Available with Suffix "G".



2.0 Ampere/RS-2

BR805D/RS201	50	2.0	75	50	10	1.0	1.0
BR81D/RS202	100	2.0	75	50	10	1.0	1.0
BR82D/RS203	200	2.0	75	50	10	1.0	1.0
BR84D/RS204	400	2.0	75	50	10	1.0	1.0
BR86D/RS205	600	2.0	75	50	10	1.0	1.0
BR88D/RS206	800	2.0	75	50	10	1.0	1.0
BR810D/RS207	1000	2.0	75	50	10	1.0	1.0

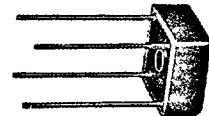


3.0 Ampere/PB-3

PB305	50	3.0	*75	50	10	1.5	1.0
PB31	100	3.0	*75	50	10	1.5	1.0
PB32	200	3.0	*75	50	10	1.5	1.0
PB34	400	3.0	*75	50	10	1.5	1.0
PB36	600	3.0	*75	50	10	1.5	1.0
PB38	800	3.0	*75	50	10	1.5	1.0
PB310	1000	3.0	*75	50	10	1.5	1.0

NOTE: 1. "*" Heat Sink Temperature.

2. Glass Passivated Version Available with Suffix "G".



4.0 Ampere/RS-4L

RS401L	50	4.0	50	200	10	3.0	1.0
RS402L	100	4.0	50	200	10	3.0	1.0
RS403L	200	4.0	50	200	10	3.0	1.0
RS404L	400	4.0	50	200	10	3.0	1.0
RS405L	600	4.0	50	200	10	3.0	1.0
RS406L	800	4.0	50	200	10	3.0	1.0
RS407L	1000	4.0	50	200	10	3.0	1.0

NOTE: Glass Passivated Version Available with Suffix "G".



6.0 Ampere/RS-6

RS601	50	6.0	50	200	10	3.0	1.0
RS602	100	6.0	50	200	10	3.0	1.0
RS603	200	6.0	50	200	10	3.0	1.0
RS604	400	6.0	50	200	10	3.0	1.0
RS605	600	6.0	50	200	10	3.0	1.0
RS606	800	6.0	50	200	10	3.0	1.0
RS607	1000	6.0	50	200	10	3.0	1.0





Bridge Rectifiers

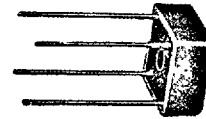
Operating/Storage Temperature Range -55°C to $+150^{\circ}\text{C}$

Type	Maximum Peak Reverse Voltage	Maximum Average Rectified Current @ Half-Wave Resistive Load 60Hz	Maximum Forward Peak Surge Current @ 8.3ms Superimposed	Maximum Reverse Current @ 25°C T_A	Maximum Forward Voltage @ 25°C T_A	
	PRV V_{PK}	I_o @ T_A A_{AV} °C	I_{FM} (Surge) A_{PK}	I_R μA_{dc}	I_{FM} A_{PK}	V_{FM} V_{PK}

6.0 Ampere/PB-6

PB605	50	6.0	50	200	10	3.0	1.1
PB61	100	6.0	50	200	10	3.0	1.1
PB62	200	6.0	50	200	10	3.0	1.1
PB64	400	6.0	50	200	10	3.0	1.1
PB66	600	6.0	50	200	10	3.0	1.1
PB68	800	6.0	50	200	10	3.0	1.1
PB610	1000	6.0	50	200	10	3.0	1.1

NOTE: Glass Passivated Version Available with Suffix "G".



8.0/10 Ampere/BR-6 (Ceramic Case)

MB805	50	8.0	75	125	5.0	4.0	1.1
MB81	100	8.0	75	125	5.0	4.0	1.1
MB82	200	8.0	75	125	5.0	4.0	1.1
MB84	400	8.0	75	125	5.0	4.0	1.1
MB86	600	8.0	75	125	5.0	4.0	1.1
MB88	800	8.0	75	125	5.0	4.0	1.1
MB1005	50	10	75	150	5.0	5.0	1.1
MB101	100	10	75	150	5.0	5.0	1.1
MB102	200	10	75	150	5.0	5.0	1.1
MB104	400	10	75	150	5.0	5.0	1.1
MB106	600	10	75	150	5.0	5.0	1.1
MB108	800	10	75	150	5.0	5.0	1.1

NOTE: Glass Passivated Version Available with Suffix "G".



15/25 Ampere/BR-35 (Ceramic Case)

BR1505	50	15	55	300	10	7.5	1.1
BR151	100	15	55	300	10	7.5	1.1
BR152	200	15	55	300	10	7.5	1.1
BR154	400	15	55	300	10	7.5	1.1
BR156	600	15	55	300	10	7.5	1.1
BR158	800	15	55	300	10	7.5	1.1
BR1510	1000	15	55	300	10	7.5	1.1
BR2505	50	25	55	300	10	12.5	1.1
BR251	100	25	55	300	10	12.5	1.1
BR252	200	25	55	300	10	12.5	1.1
BR254	400	25	55	300	10	12.5	1.1
BR256	600	25	55	300	10	12.5	1.1
BR258	800	25	55	300	10	12.5	1.1
BR2510	1000	25	55	300	10	12.5	1.1

NOTE: Suffix "W" Denotes Wire Leads.



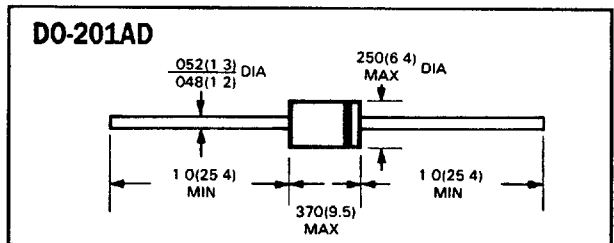
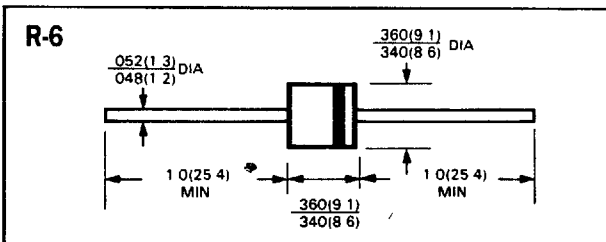
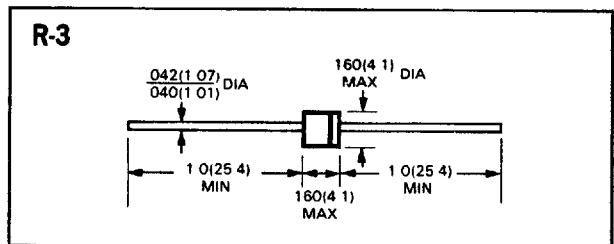
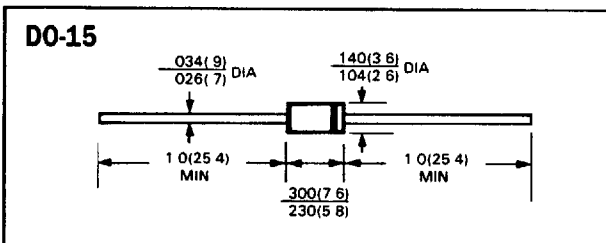
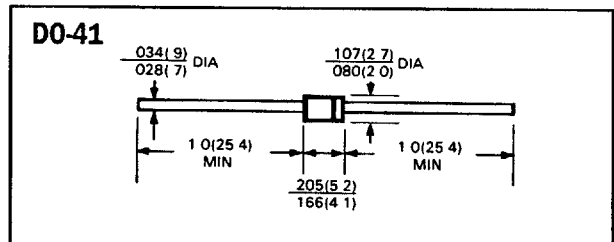
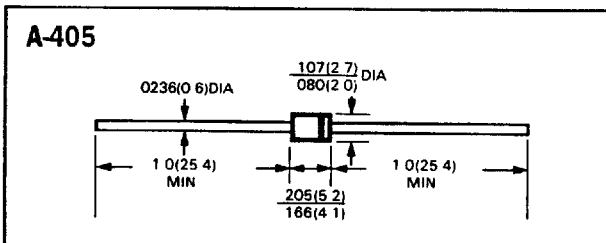
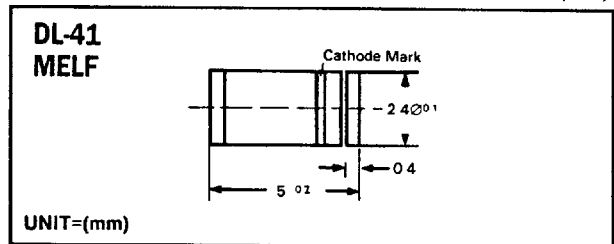
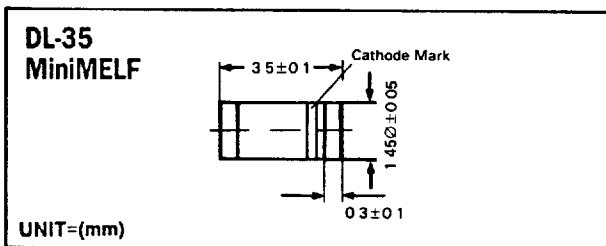
RECTIFIER DIODES AND
BRIDGE RECTIFIERS

4



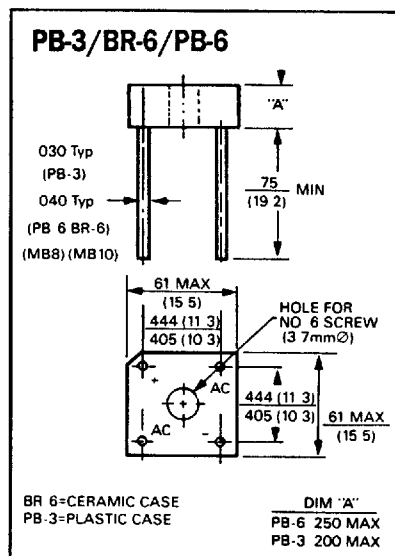
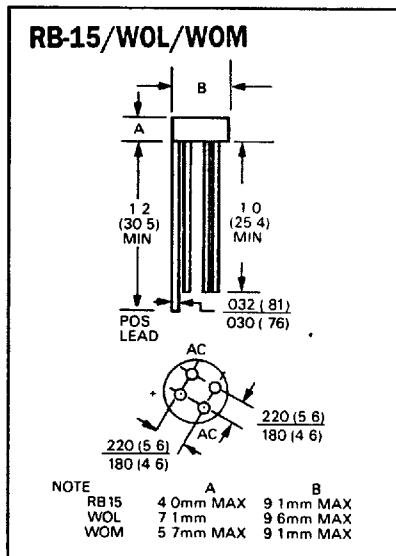
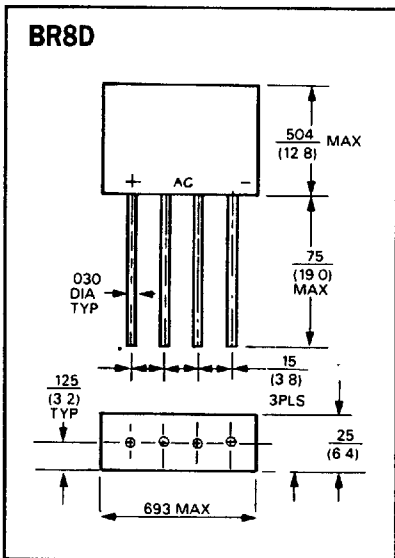
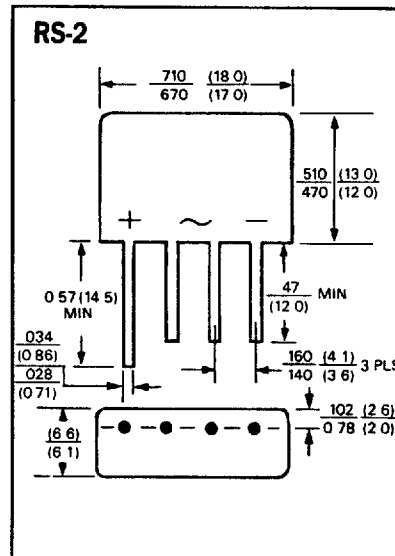
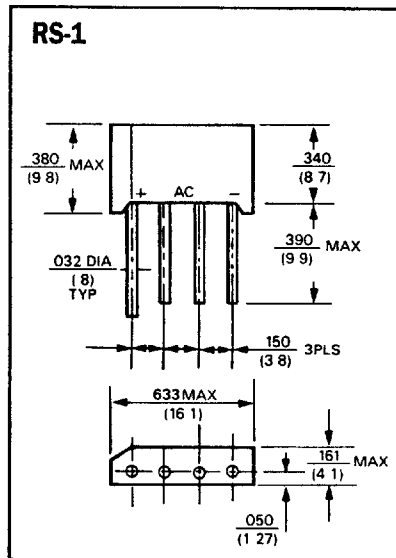
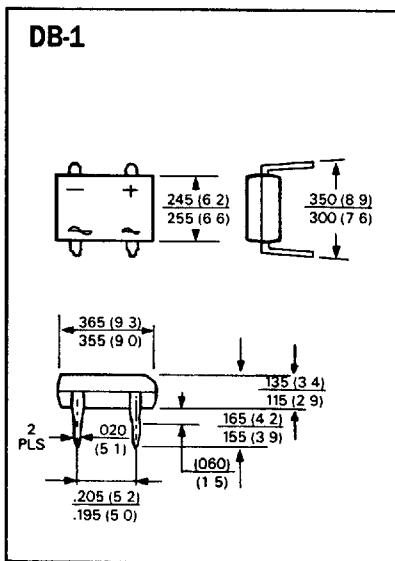
OUTLINE DRAWINGS

Unit = inch (mm)





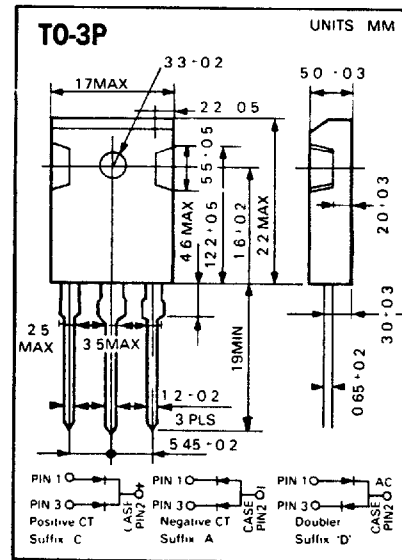
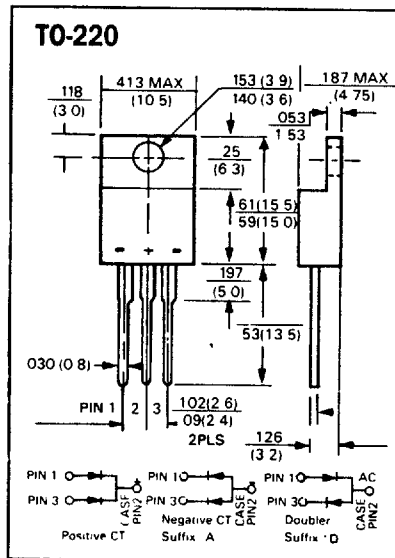
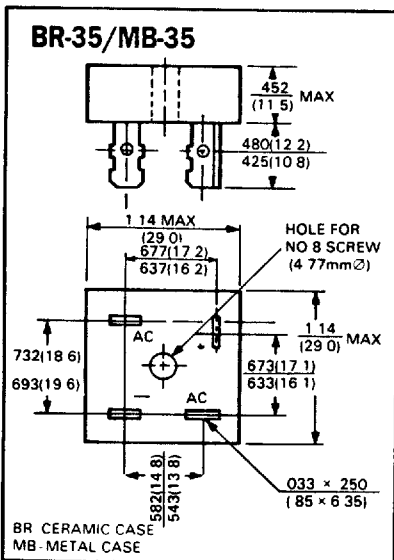
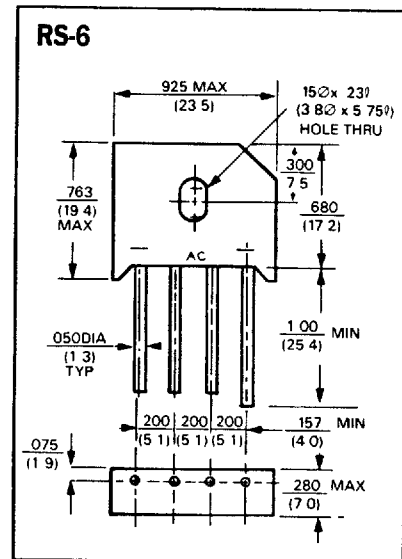
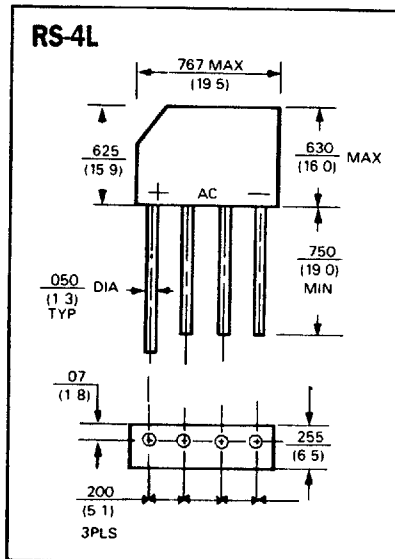
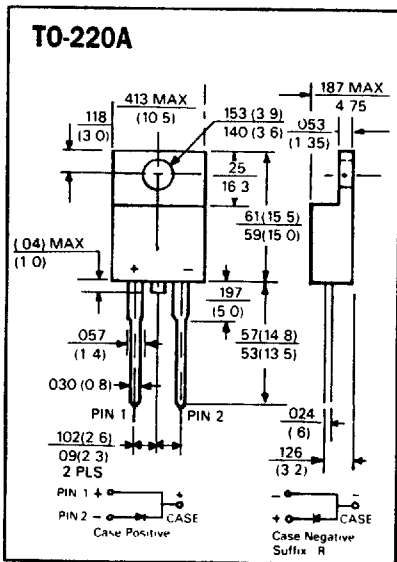
OUTLINE DRAWINGS



RECTIFIER DIODES AND BRIDGE RECTIFIERS

4

OUTLINE DRAWINGS



RECTIFIERS

SEMITRON INDUSTRIES LTD

Product Packaging Specifications

PACKAGING OF AXIAL LEAD DIODES, MELF AND MINI-MELF SURFACE MOUNT DEVICES AND TRANSISTORS

REEL PACK

OUTLINE	COMPONENT SPACE (mm)	TAPE SPACE (mm)	REEL DIA. (m/m)	QTY./REEL (each)
DO-7	5.0	52.4	330	10,000
DO-35	5.0	53	355	10,000
DO-35 (ZENER)	[RADIAL TAPING SEE FIG. 1, 2 & 3]		355	5,000
DL-35 (MINI MELF)	See Pg. 37		250/330	5,000/10,000
DL-41 (MELF)	See Pg. 37		330	5,000
A-405	5.0	52.4	330	5,000
A-500	5.0	52.4	203/254/304	1,000/2,000/3,000
DO-41	5.0	52.4	330	5,000
DO-41 (ZENER)	5.0	53	355	5,000
DO-15	5.0	52.4	330	4,000
R-3	5.0	52.4	330	3,000
DO-201AD	10.0	52.4	330	1,200
R-6	10.0	52.4	330	500
TO-92	[RADIAL TAPING SEE FIG. 4, 5 & 6]		355	2,000
TO-236/SOT-23	[SEE SPECIFICATIONS ON PG.38]		178	3,000

PACKAGING OF AXIAL LEAD DIODES AND LEADED TRANSISTORS

AMMO PACK

OUTLINE	COMPONENT SPACE (mm)	TAPE SPACE (mm)	BOX SIZE (m/m)	QTY./BOX (each)
DO-35 (SW. DIODES)	5.0	53	338/147/77	15,000
DO-35	5.0	53	255/95/85	6,000
DO-35	5.0	26	255/95/51	6,000
A-405	5.0	52.4	255/95/78	3,000
DO-41	5.0	52.4	255/95/78	3,000
DO-41	5.0	26	255/51/95	3,000
DO-41 (ZENER)	5.0	53	255/95/85	3,000
DO-41 (ZENER)	5.0	26	255/95/51	3,000
DO-15	5.0	52.4	255/95/78	2,200
R-3	5.0	52.4	255/95/78	2,000
DO-201AD	10.0	52.4	255/95/78	800
R-6	10.0	52.4	255/95/78	300
TO-92	[RADIAL TAPING, SEE FIG. 4]		340/340/45	4,000

RECTIFIER DIODES AND
BRIDGE RECTIFIERS

4

