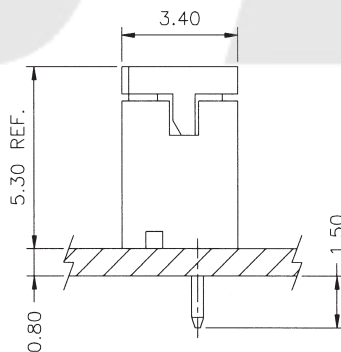
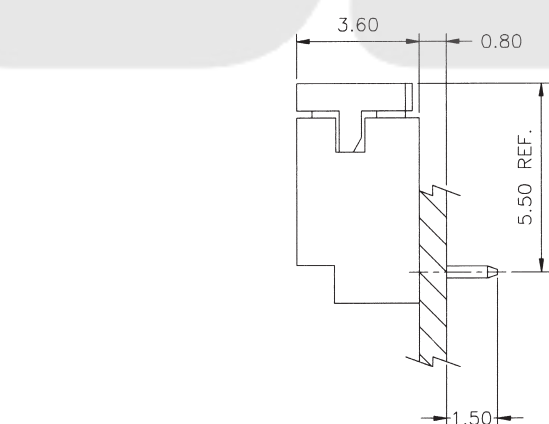


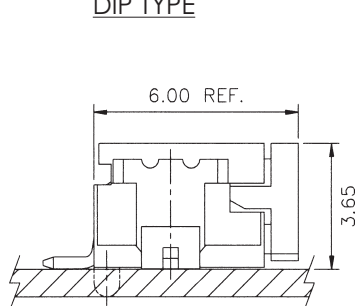
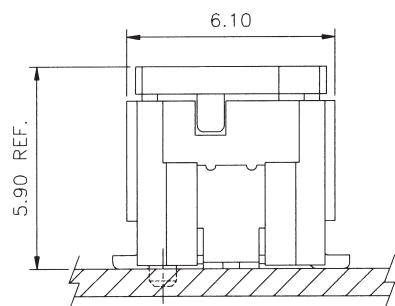
## Specifications

- Current rating: 1A AC,DC
- Voltage rating: 150V AC,DC
- Temperature range: -25°C ~ +85°C
- Contact resistance: 30mΩ Max.
- Insulation resistance: 500MΩ Min.
- Withstanding voltage: 500V AC/minute

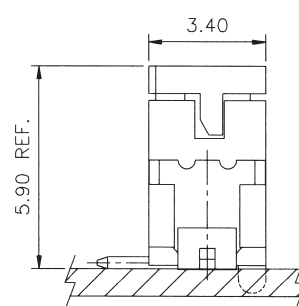
## Assembly layout



DIP TYPE



SMT TYPE



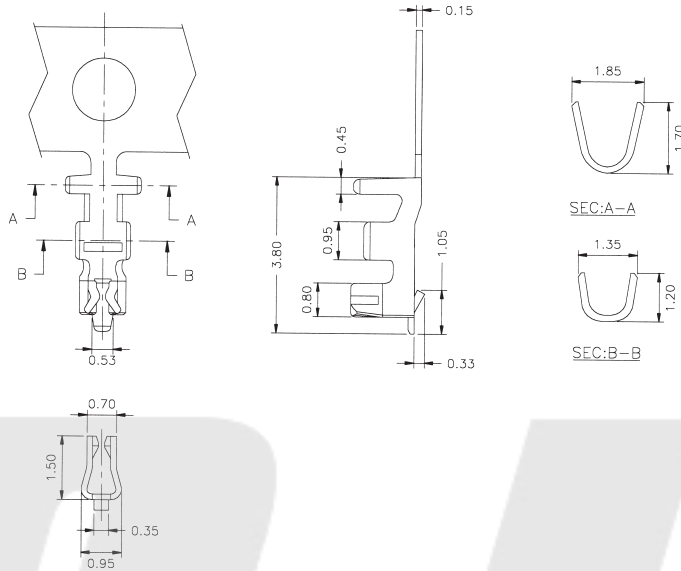
## A1252-T

1.25mm pitch Crimp Terminal

### Reference Informations:

\*Used in CJT A1252 series Housing

\*Tolerance:(unit:mm) .0 ±0.25/ .00 ±0.15/ .000 ±0.10



### Ordering Information & Specifications:

Unit:mm

Part No.	Wire Range	Insulation O.D.	Material	Finish	Qty/reel
A1252-TP	AWG#26-#30	1.00mm(max)	Phosphor Bronze	Tin-plated	10,000pcs

## A1252H

1.25mm pitch Single Row Housing

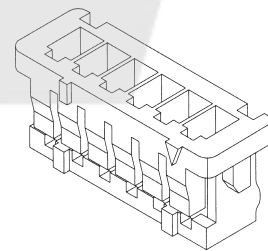
### Reference Informations:

\*Material: Nylon 66,UL94V-0

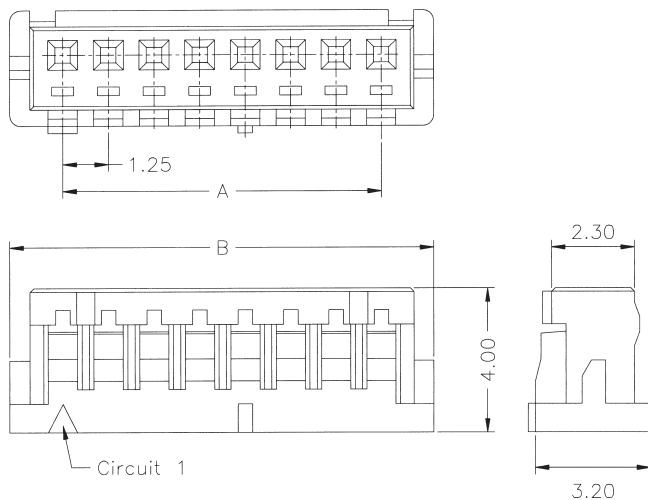
\*Suitable CJT A1252 series Terminal

\*Mates with CJTA1252 series single row Wafer

\*Tolerance:(unit:mm) .0 ±0.25/ .00 ±0.15/ .000 ±0.10



### Ordering Information & Dimensions:



PART NO.	Dimensions	
	A	B
A1252H-2P	1.25	4.15
A1252H-3P	2.50	5.40
A1252H-4P	3.75	6.65
A1252H-5P	5.00	7.90
A1252H-6P	6.25	9.15
A1252H-7P	7.50	10.40
A1252H-8P	8.75	11.65
A1252H-9P	10.00	12.90
A1252H-10P	11.25	14.15
A1252H-11P	12.50	15.40
A1252H-12P	13.75	16.65
A1252H-13P	15.00	17.90
A1252H-14P	16.25	19.15
A1252H-15P	17.50	20.40

Unit:mm

## A1252WW

1.25mm pitch 180° Single Row Wafer

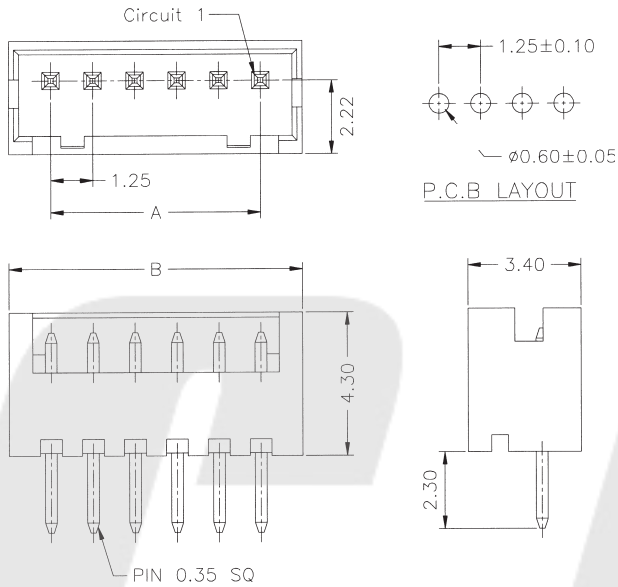
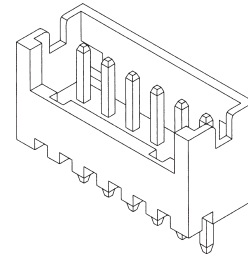
### Reference Informations:

\*Material: Pin: Brass/Tin-plated

Wafer: Nylon 66,UL94V-0

\*Mates with CJT A1252 series single row Housing

\*Tolerance:(unit:mm) .0 ±0.25/ .00 ±0.15/ .000 ±0.10



### Ordering Information & Dimensions:

PART NO.	Dimensions	
	A	B
A1252WW-2P	1.25	3.75
A1252WW-3P	2.50	5.00
A1252WW-4P	3.75	6.25
A1252WW-5P	5.00	7.50
A1252WW-6P	6.25	8.75
A1252WW-7P	7.50	10.00
A1252WW-8P	8.75	11.25
A1252WW-9P	10.00	12.50
A1252WW-10P	11.25	13.75
A1252WW-11P	12.50	15.00
A1252WW-12P	13.75	16.25
A1252WW-13P	15.00	17.50
A1252WW-14P	16.25	18.75
A1252WW-15P	17.50	20.00

Unit:mm

## A1252WR

1.25mm pitch 90° Single Row Wafer

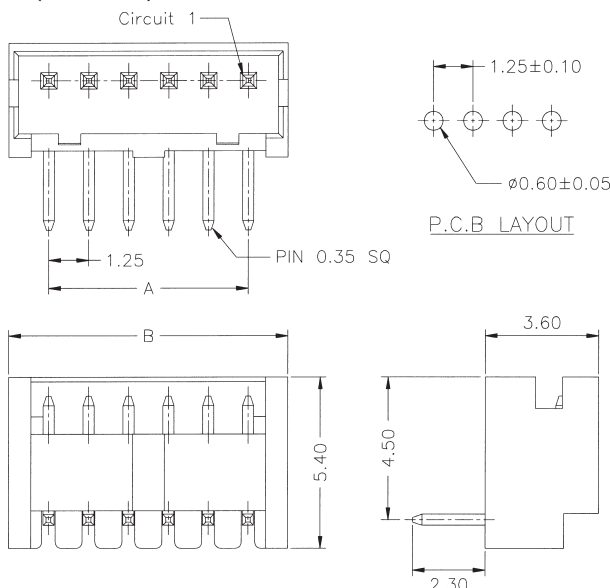
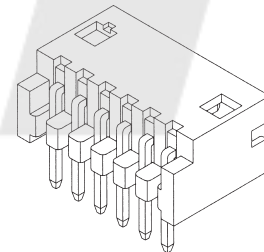
### Reference Informations:

\*Material: Pin: Brass/Tin-plated

Wafer: Nylon 66,UL94V-0

\*Mates with CJT A1252 series single row Housing

\*Tolerance:(unit:mm) .0 ±0.25/ .00 ±0.15/ .000 ±0.10



### Ordering Information & Dimensions:

PART NO.	Dimensions	
	A	B
A1252WR-2P	1.25	3.75
A1252WR-3P	2.50	5.00
A1252WR-4P	3.75	6.25
A1252WR-5P	5.00	7.50
A1252WR-6P	6.25	8.75
A1252WR-7P	7.50	10.00
A1252WR-8P	8.75	11.25
A1252WR-9P	10.00	12.50
A1252WR-10P	11.25	13.75
A1252WR-11P	12.50	15.00
A1252WR-12P	13.75	16.25
A1252WR-13P	15.00	17.50
A1252WR-14P	16.25	18.75
A1252WR-15P	17.50	20.00

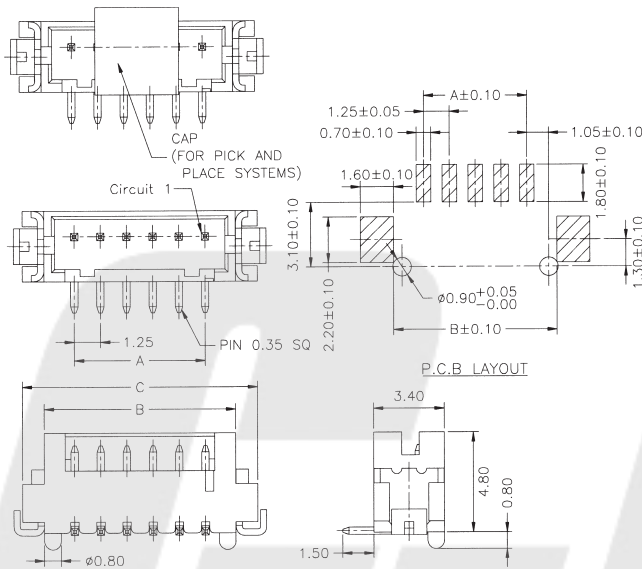
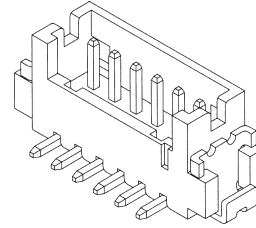
Unit:mm

## A1252WV-S-F

— 1.25mm pitch 180° Single Row Wafer - SMT TYPE —

### Reference Informations:

- \*Material: Pin: Brass/Tin-plated  
Solder Tabs: Phosphor Bronze/Tin-plated  
Wafer: Nylon 6T,UL94V-0  
Cap: Nylon 6T,UL94V-0
- \*Mates with CJT A1252 series single row Housing
- \*Tolerance:(unit:mm) .0 ±0.25/ .00 ±0.15/ .000 ±0.10



### Ordering Information & Dimensions:

PART NO.	Dimensions		
	A	B	C
A1252WV-S-F-2P	1.25	4.15	6.25
A1252WV-S-F-3P	2.50	5.40	7.50
A1252WV-S-F-4P	3.75	6.65	8.75
A1252WV-S-F-5P	5.00	7.90	10.00
A1252WV-S-F-6P	6.25	9.15	11.25
A1252WV-S-F-7P	7.50	10.40	12.50
A1252WV-S-F-8P	8.75	11.65	13.75
A1252WV-S-F-9P	10.00	12.90	15.00
A1252WV-S-F-10P	11.25	14.15	16.25
A1252WV-S-F-11P	12.50	15.40	17.50
A1252WV-S-F-12P	13.75	16.65	18.75
A1252WV-S-F-13P	15.00	17.90	20.00
A1252WV-S-F-14P	16.25	19.15	21.25
A1252WV-S-F-15P	17.50	20.40	22.50

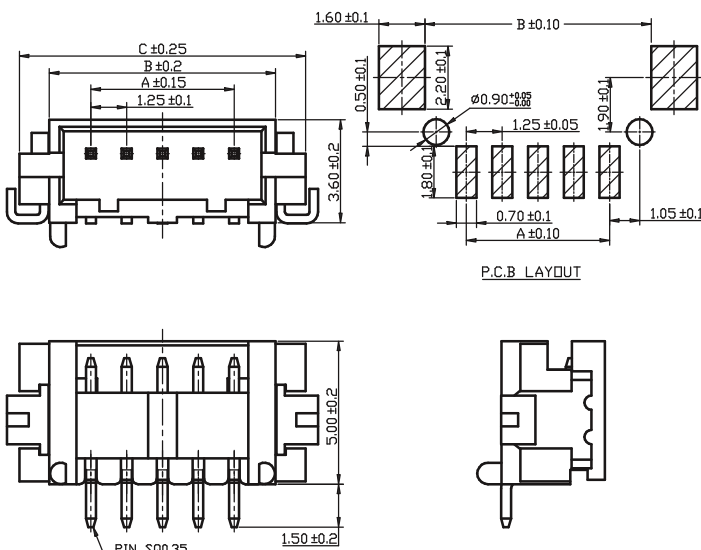
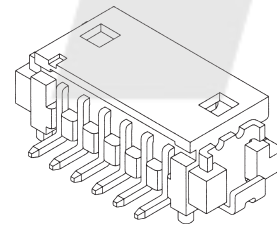
Unit:mm

## A1252WR-S-F

— 1.25mm pitch 90° Single Row Wafer - SMT TYPE —

### Reference Informations:

- \*Material: Pin: Brass/Tin-plated  
Solder Tabs: Phosphor Bronze/Tin-plated  
Wafer: Nylon 6T,UL94V-0
- \*Mates with CJT A1252 series single row Housing
- \*Tolerance:(unit:mm) .0 ±0.25/ .00 ±0.15/ .000 ±0.10



### Ordering Information & Dimensions:

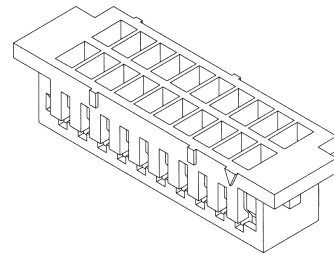
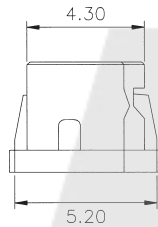
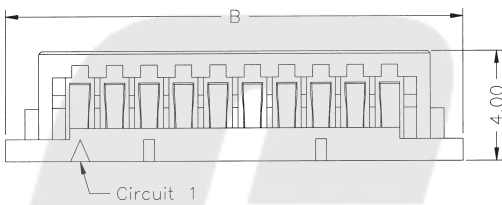
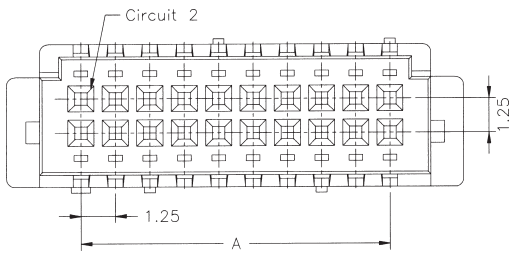
PART NO.	Dimensions		
	A	B	C
A1252WR-S-F-2P	1.25	4.15	6.25
A1252WR-S-F-3P	2.50	5.40	7.50
A1252WR-S-F-4P	3.75	6.65	8.75
A1252WR-S-F-5P	5.00	7.90	10.00
A1252WR-S-F-6P	6.25	9.15	11.25
A1252WR-S-F-7P	7.50	10.40	12.50
A1252WR-S-F-8P	8.75	11.65	13.75
A1252WR-S-F-9P	10.00	12.90	15.00
A1252WR-S-F-10P	11.25	14.15	16.25
A1252WR-S-F-11P	12.50	15.40	17.50
A1252WR-S-F-12P	13.75	16.65	18.75
A1252WR-S-F-13P	15.00	17.90	20.00
A1252WR-S-F-14P	16.25	19.15	21.25
A1252WR-S-F-15P	17.50	20.40	22.50

Unit:mm

## A1252H-2 — 1.25mm pitch Dual Row Housing

### Reference Informations:

- \*Material: Nylon 66,UL94V-0
- \*Suitable CJT A1252 series Terminal
- \*Mates with CJT A1252 series dual row Wafer
- \*Tolerance:(unit:mm) .0 ±0.25/ .00 ±0.15/ .000 ±0.10



### Ordering Information & Dimensions:

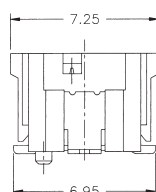
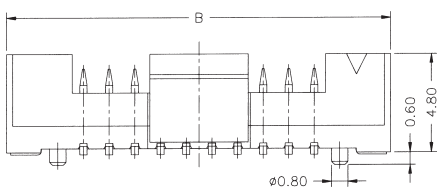
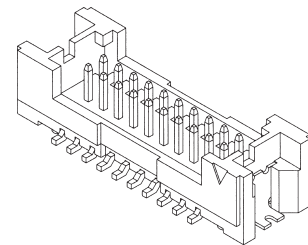
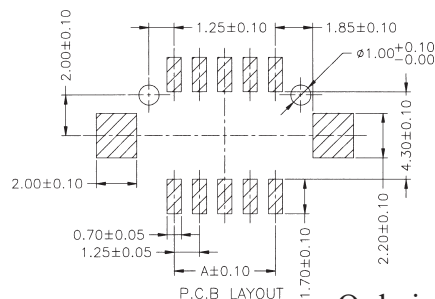
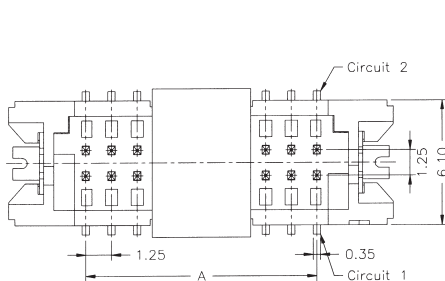
PART NO.	Dimensions	
	A	B
A1252H-2X5P	5.00	10.40
A1252H-2X7P	7.50	12.90
A1252H-2X10P	11.25	16.65
A1252H-2X15P	17.50	22.90
A1252H-2X20P	23.75	29.15

Unit:mm

## A1252WV-S-F-2 — 1.25mm pitch 180° Dual Row Wafer - SMT TYPE

### Reference Informations:

- \*Material: Pin: Brass/Gold-flash  
Solder Tabs: Brass/Tin-plated  
Wafer: Nylon 6T,UL94V-0  
Cap: Nylon 6T,UL94V-0
- \*Mates with CJT A1252 series dual row Housing
- \*Tolerance:(unit:mm) .0 ±0.25/ .00 ±0.15/ .000 ±0.10



### Ordering Information & Dimensions:

PART NO.	Dimensions	
	A	B
A1252WV-S-F-2X5P	5.00	12.50
A1252WV-S-F-2X7P	7.50	15.00
A1252WV-S-F-2X10P	11.25	18.75
A1252WV-S-F-2X15P	17.50	25.00
A1252WV-S-F-2X20P	23.75	31.25

Unit:mm