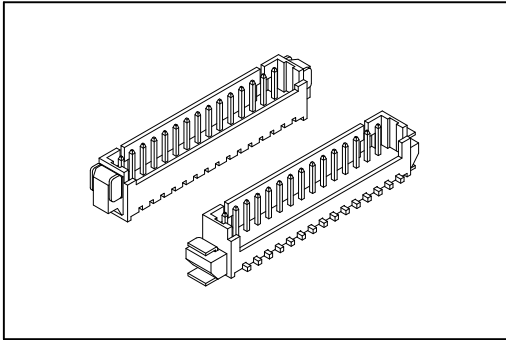


# 4573 Series

Wafer 1.25mm(0.049") SMD Type



## Material:

Housing: High Temperature Plastic UL94V-0.

Contacts: Brass.

## Electrical Characteristics:

Current Rating: 1 A.

Dielectric Withstanding Voltage: AC 500V.

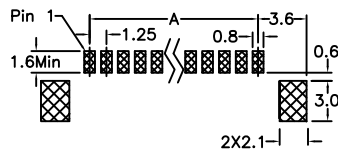
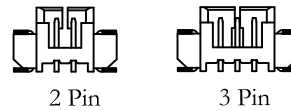
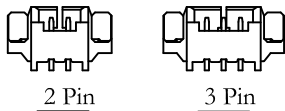
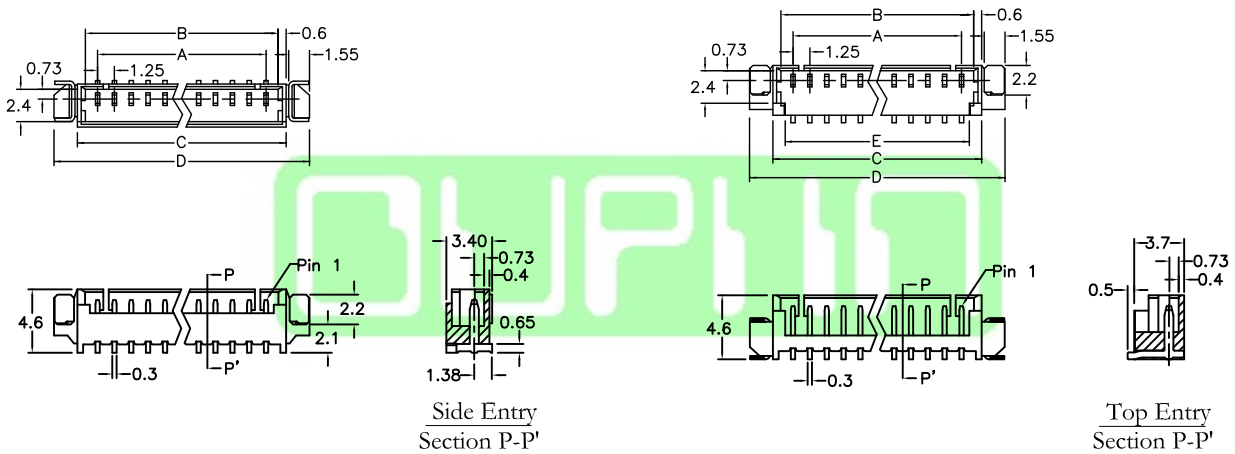
Insulator Resistance: 100MΩ min.

Contact Resistance: 20mΩ max.

Operating Temperature: -25°C~+85°C.

## Features:

- \* Available in Single row 2 through 15 position.
- \* Locking Window: One Place for 2 & 3 Pos, and Two Places for More Than 3 Pos.
- Mates with: 4573 Housing.



Position	2 Thru 15
Dimension	
A	(No. of Positions X 1.25)-1.25
B	(No. of Positions X 1.25)+0.55
C	(No. of Positions X 1.25)+1.75
D	(No. of Positions X 1.25)+5.15
E	(No. of Positions X 1.25)-0.15

## Ordering information

4573-  
Series

15  
No. of  
Pin Count

T  
T: Tin Plated

D1  
D1: SMD Side Entry (Right Angle)  
D3: SMD Top Entry (Straight)

T  
U: Tube Package  
T: Tape & Reel Package