

GENERAL DESCRIPTION

The CM2860/2861 family is a positive voltage linear regulator developed utilizing CMOS technology featured low quiescent current (30 μ A typ.), low dropout voltage, and high output voltage accuracy. Built-in low on-resistance transistor provides low dropout voltage and large output current. A 2.2 μ F or greater can be used as an output capacitor.

The SOT-89 and SOT-223 packages are attractive for "Pocket" and "Hand Held" applications.

These robust devices are designed to prevent device failure under the worst operation condition with both Thermal Shutdown and Current Fold-back.

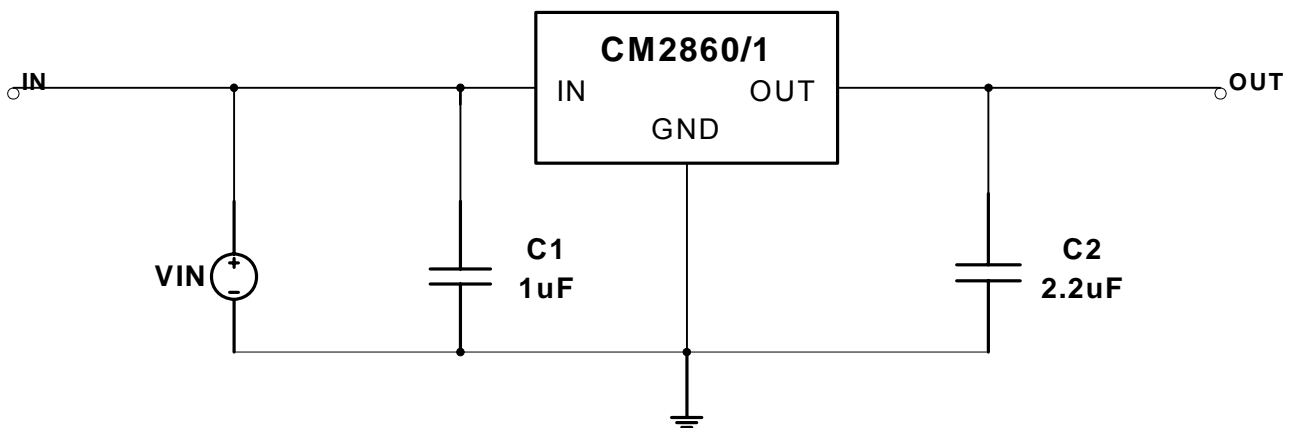
FEATURES

- ◆ Very Low Dropout Voltage
- ◆ Low Current Consumption: Typ. 30 μ A, Max. 35 μ A
- ◆ High Accuracy Output Voltage: +/- 1.5%
- ◆ Guaranteed 600mA Output
- ◆ Thermal Shutdown
- ◆ Current Limiting
- ◆ Compact Package: SOT-89 and SOT-223
- ◆ Factory Pre-set Output Voltages
- ◆ Short Circuit Current Fold-Back
- ◆ Low Temperature Coefficient

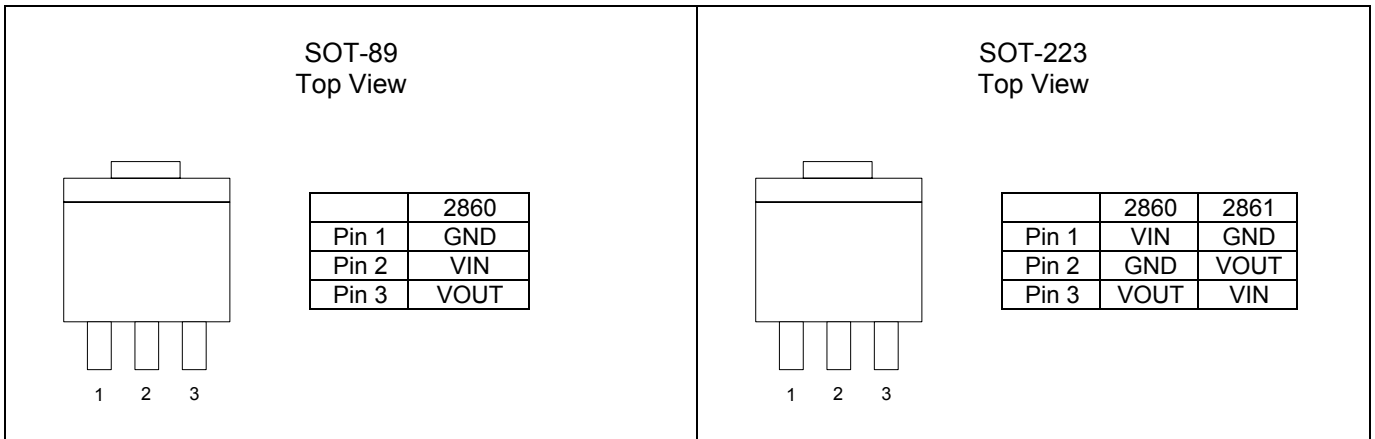
APPLICATIONS

- ◆ Battery-powered devices
- ◆ Personal communication devices
- ◆ Home electric/electronic appliances
- ◆ PC peripherals

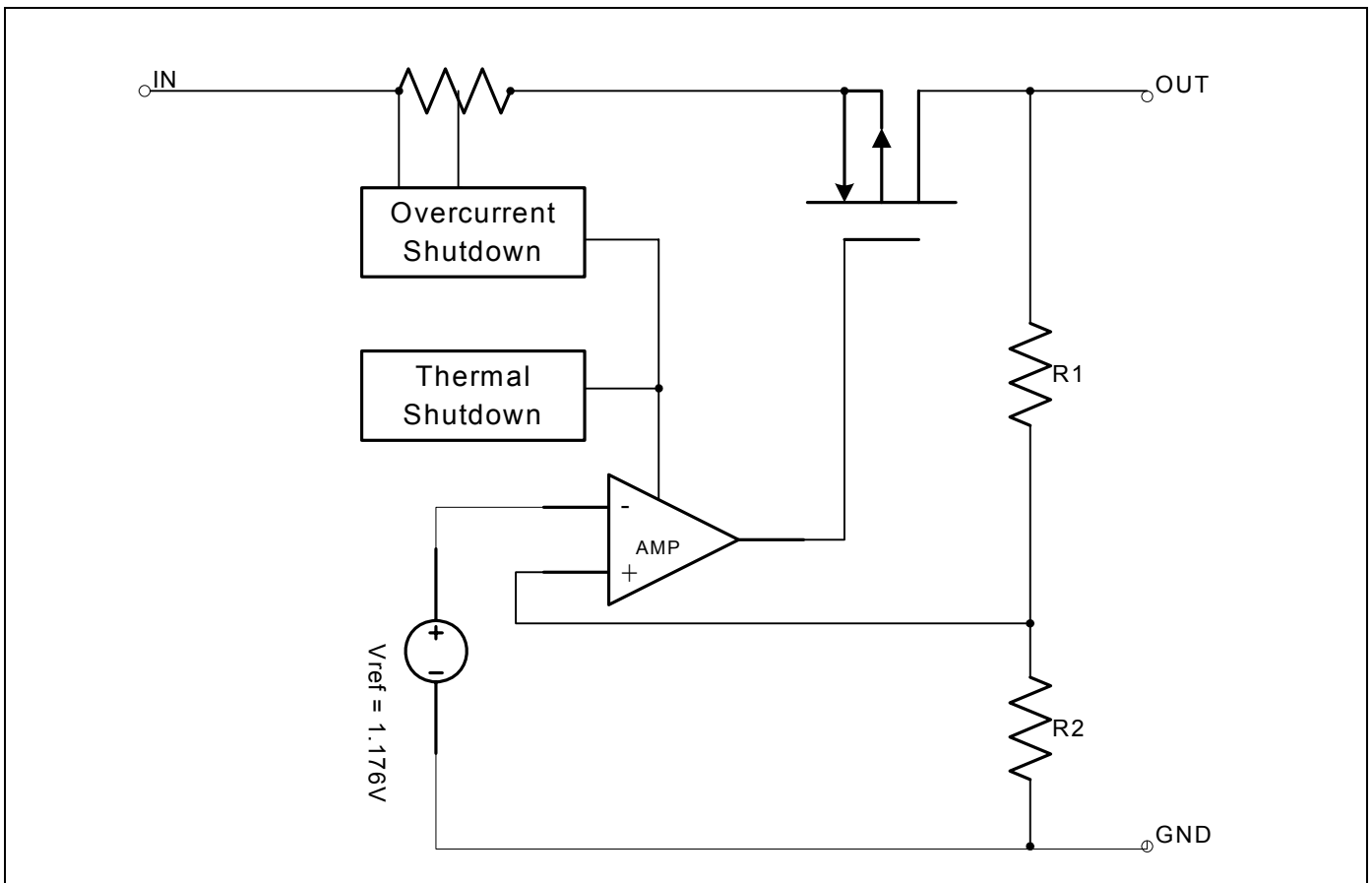
TYPICAL APPLICATIONS



PIN CONFIGURATION



BLOCK DIAGRAM



ORDERING INFORMATION

Part Number	Output Voltage	Temperature Range	Package
CM2860KIM89	2.5V	-40°C ~ +85°C	SOT-89
CM2860KIM223	2.5V	-40°C ~ +85°C	SOT-223
CM2860SIM89	3.3V	-40°C ~ +85°C	SOT-89
CM2860SIM223	3.3V	-40°C ~ +85°C	SOT-223
CM2861KIM223	2.5V	-40°C ~ +85°C	SOT-223
CM2861SIM223	3.3V	-40°C ~ +85°C	SOT-223
CM2860GKIM89	2.5V	-40°C ~ +85°C	SOT-89
CM2860GKIM223	2.5V	-40°C ~ +85°C	SOT-223
CM2860GSIM89	3.3V	-40°C ~ +85°C	SOT-89
CM2860GSIM223	3.3V	-40°C ~ +85°C	SOT-223
CM2861GKIM223	2.5V	-40°C ~ +85°C	SOT-223
CM2861GSIM223	3.3V	-40°C ~ +85°C	SOT-223

Note: For other pre-set output voltage, please contact Champion Sales office.

ABSOLUTE MAXIMUM RATINGS

Input Voltage +7V
 Output Current 1A
 Output Voltage GND-0.3V to $V_{IN}+0.3V$
 ESD Classification B

OPERATING RATINGS

Ambient Temperature Range (T_A) -40°C to +85°C
 Junction Temperature Range -40°C to +125°C

THERMAL INFORMATION

Parameter		Maximum	Unit
Thermal Resistance (θ_{jc})	SOT-89	100	°C/W
	SOT-223	50	
Thermal Resistance (θ_{ja})	SOT-89	180	°C/W
	SOT-223	100	
Internal Power Dissipation (P_D) ($\Delta T = 100^\circ C$, No Heatsink)	SOT-89	400	mW
	SOT-223 (CM2860)	900	
	SOT-223 (CM2861)	800	
Maximum Junction Temperature		125	°C
Maximum Lead Temperature (10 Sec)		300	°C

Caution: Stress above the listed absolute rating may cause permanent damage to the device.

ELECTRICAL CHARACTERISTICS

$T_A = +25^\circ\text{C}$; $V_{IN} = V_{IN(MIN)}$ unless otherwise noted

Parameter	Symbol	Test Conditions	CM2860/CM2861			Unit
			Min.	Typ.	Max.	
Input Voltage	V_{IN}		Note 1		7	V
Output Voltage Accuracy	V_{OUT}	$I_O = 1\text{mA}$	-1.5		1.5	%
Dropout Voltage	$V_{DROPOUT}$	$I_O = 600\text{mA}$, $V_{OUT} = V_{O(NOM)} - 1.5\%$	$1.5\text{V} < V_{O(NOM)} \leq 2.0\text{V}$		1000	mV
			$2.0\text{V} < V_{O(NOM)} \leq 2.8\text{V}$		800	mV
			$2.8\text{V} < V_{O(NOM)} < 3.8\text{V}$		600	mV
Output Current	I_O	$V_{OUT} > 1.2\text{V}$	600			mA
Current Limit	I_{LIM}	$V_{OUT} > 1.2\text{V}$, $V_{IN} = V_{IN(MIN)}$	600	1000		mA
Short Circuit Current	I_{SC}	$V_{OUT} < 0.8\text{V}$		250		mA
Quiescent Current	I_Q	$I_O = 0\text{mA}$		30	50	μA
Ground Pin Current	I_{GND}	$I_O = 1\text{mA}$ to 600mA		30	50	μA
Line Regulation	REG_{LINE}	$I_{OUT} = 5\text{mA}$, $V_{IN} = V_{OUT} + 1$ to $V_{OUT} + 2$	$V_{OUT} \leq 2.0\text{V}$		0.15	%
			$V_{OUT} > 2.0\text{V}$		0.02	0.1
Load Regulation	REG_{LOAD}	$I_O = 1\text{mA}$ to 600mA		0.2	1	%
Over Temperature Shutdown	OTS			125		$^\circ\text{C}$
Over Temperature Hysteresis	OTH			30		$^\circ\text{C}$
V_{OUT} Temperature Coefficient	TC			30		ppm/ $^\circ\text{C}$
Power Supply Rejection	PSRR	$I_O = 100\text{mA}$ $C_O = 2.2\mu\text{F}$ ceramic	$f = 1\text{kHz}$		50	dB
			$f = 10\text{kHz}$		20	
			$f = 100\text{kHz}$		15	
Output Voltage Noise	eN	$f = 10\text{Hz}$ to 100kHz $I_O = 10\text{mA}$, $C_{VBG} = 0\mu\text{F}$	$C_O = 2.2\mu\text{F}$		30	μVrms
			$C_O = 100\mu\text{F}$		20	

Note 1. $V_{IN(MIN)} = V_{OUT} + V_{DROPOUT}$

Note 2. As V_{IN} is larger than $V_{IN(MIN)}$, the Current Limit and output short current Spec value will increase

DETAILED DESCRIPTION

The CM2860/CM2861 family of CMOS regulators contain a PMOS pass transistor, voltage reference, error amplifier, over-current protection, thermal shutdown, and short circuit protection.

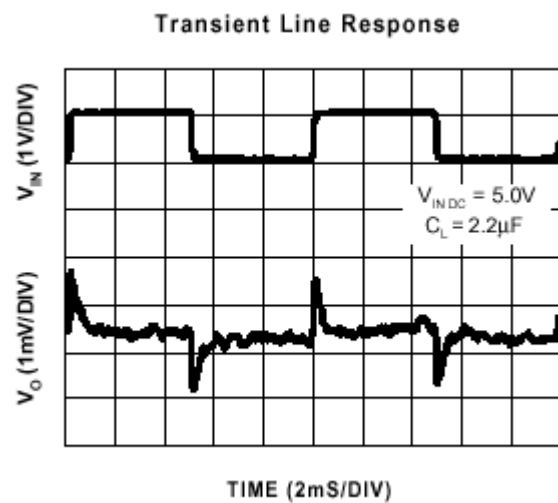
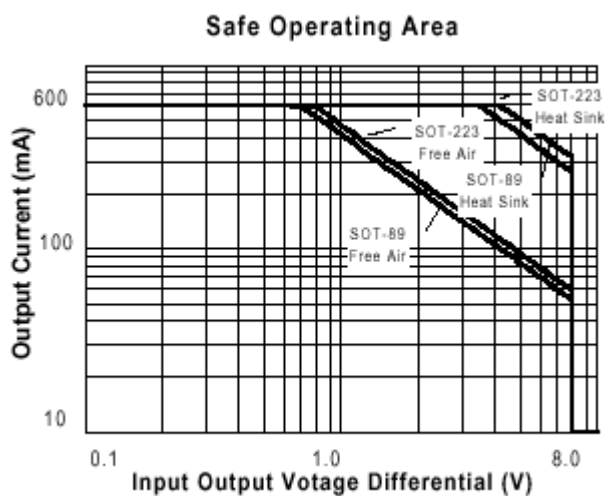
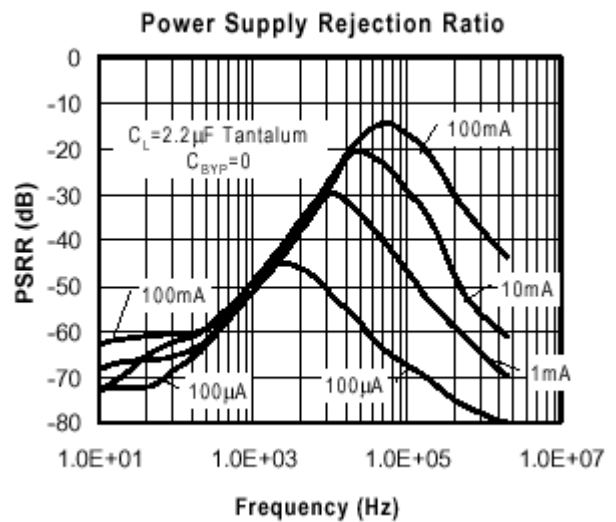
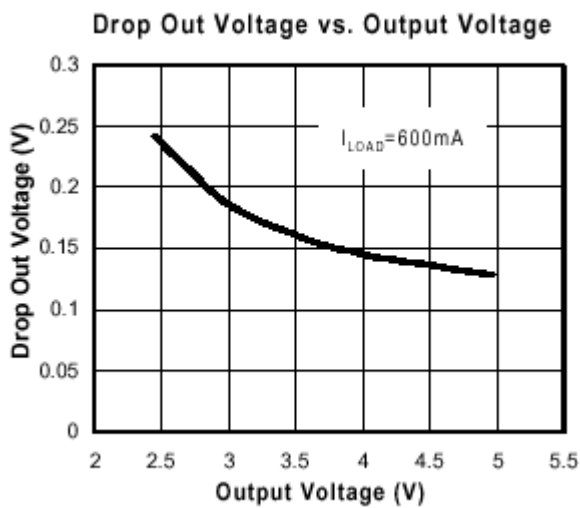
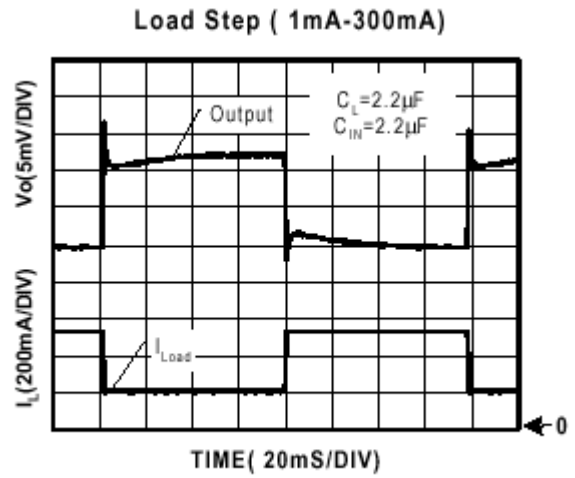
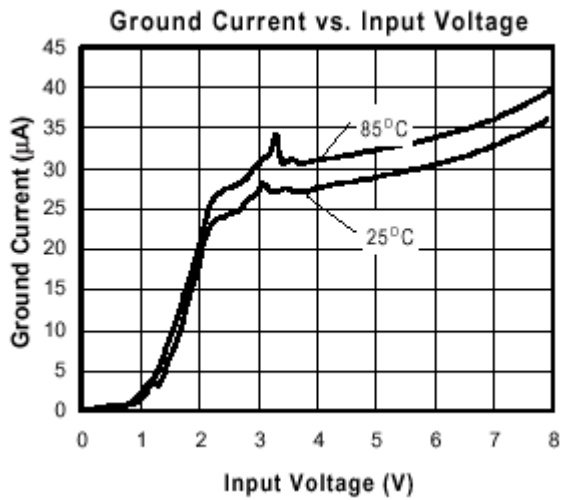
The P-channel pass transistor receives data from the error amplifier, over-current shutdown, short output protection, and thermal protection circuits. During normal operation, the error amplifier compares the output voltage to a precision reference. Over-current and Thermal shutdown circuits become active when the junction temperature exceeds 150°C, or the current exceeds 600mA. During thermal shutdown, the output voltage remains low. Normal operation is restored when the junction temperature drops below 120°C.

The CM2860/CM2861 switches from voltage mode to current mode when the load exceeds the rated output current. This prevents over-stress. The CM2860/2861 also incorporates current fold-back to reduce power dissipation when the output is short-circuited. This feature becomes active when the output drops below 0.8V, and reduces the current flow by 65%. Full current is restored when the voltage exceeds 0.8V.

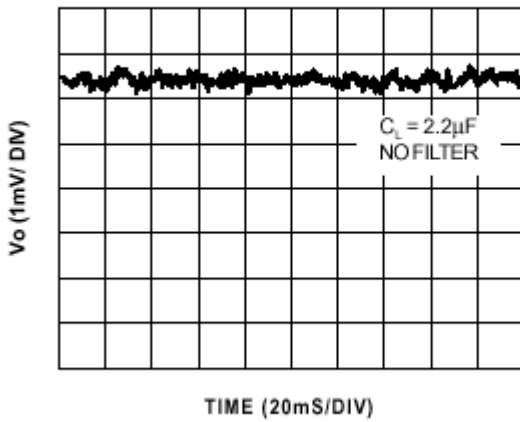
EXTERNAL CAPACITOR

The CM2860/CM2861 is stable with an output capacitor to ground of 2.2μF or greater. It can keep stable even with higher or poor ESR capacitors. A second capacitor is recommended between the input and ground to stabilize VIN. The input capacitor should be larger than 0.1μF to have a beneficial effect. All capacitors should be placed in close proximity to the pins. A “quiet” ground termination is desirable.

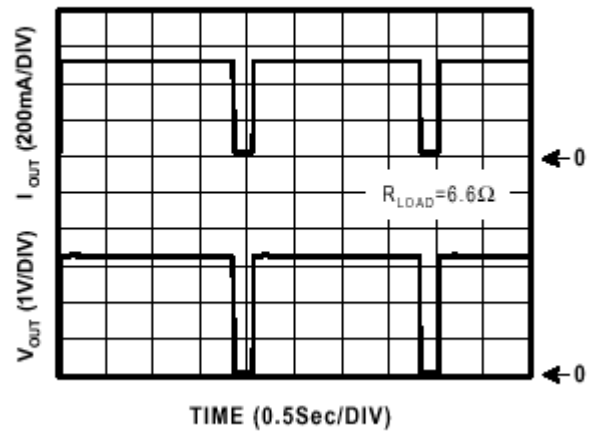
TYPICAL ELECTRICAL CHARACTERISTICS



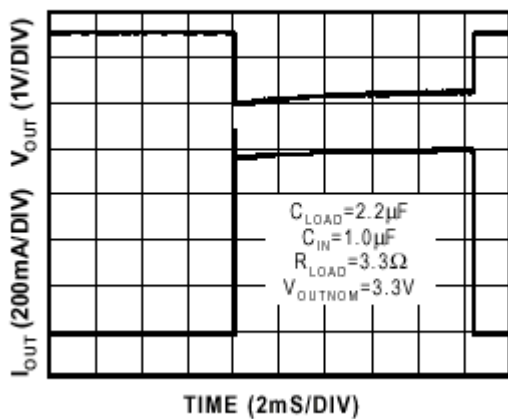
Noise Measurement



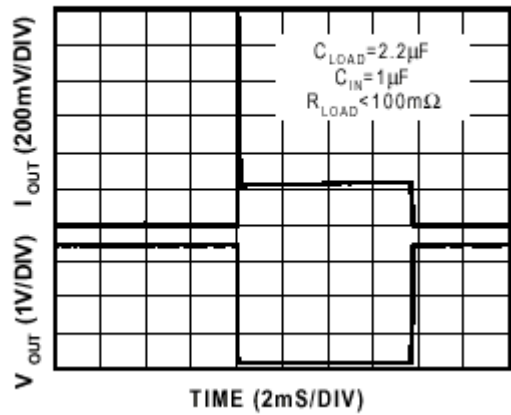
Overtemperature Shutdown



Current Limit Response

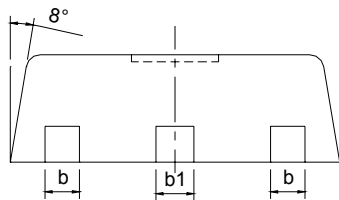
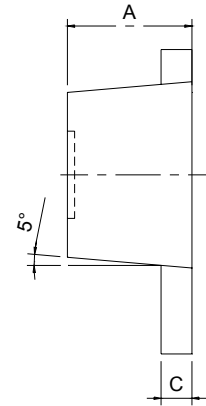
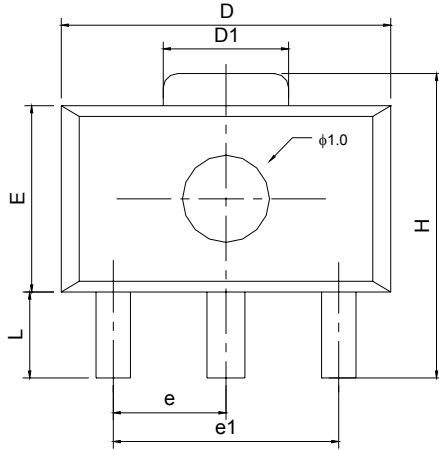


Short Circuit Response



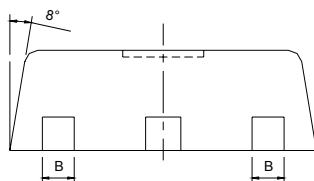
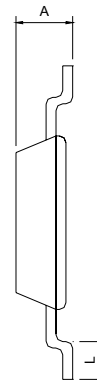
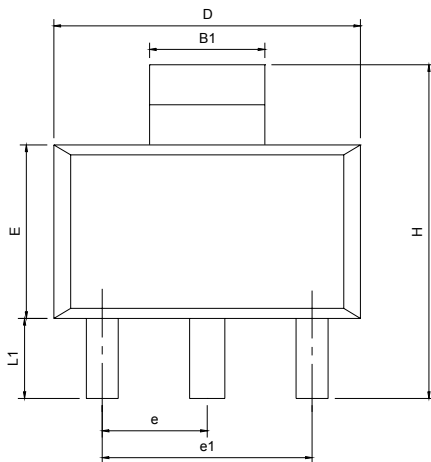
PACKAGE DIMENSION

SOT-89 (M89)



SYMBOLS	DIMENSIONS IN MILLIMETERS			DIMENSIONS IN INCHES		
	MIN	NOM	MAX	MIN	NOM	MAX
A	1.40	1.60	1.80	0.055	0.059	0.063
L	0.80	---	1.20	0.031	---	0.047
b	0.36	0.42	0.48	0.014	0.016	0.018
b1	0.41	0.47	0.53	0.016	0.018	0.020
C	0.38	0.40	0.43	0.014	0.015	0.017
D	4.40	4.50	4.60	0.173	0.177	0.181
D1	1.40	1.60	1.75	0.055	0.062	0.069
H	3.94	---	4.25	0.155	---	0.167
E	2.40	2.50	2.60	0.094	0.098	0.102
e1	2.90	3.00	3.10	0.114	0.118	0.122
e	1.45	1.50	1.55	0.057	0.059	0.061

SOT-223 (M223)



SYMBOLS	DIMENSIONS IN MILLIMETERS			DIMENSIONS IN INCHES		
	MIN	NOM	MAX	MIN	NOM	MAX
A	1.50	---	1.80	0.0591	---	0.0709
B	0.80	---	0.938	0.0315	---	0.0373
B1	2.895	---	3.15	0.114	---	0.124
D	6.298	---	6.706	0.248	---	0.264
E	3.30	---	3.708	0.1299	---	0.146
e	---	0.300±0.005	---	---	0.0118±0.0002	---
e1	---	1.600±0.005	---	---	0.0630±0.0002	---
H	6.70	---	7.30	0.2638	---	0.2874
L	---	0.81MIN	---	---	0.0319MIN	---
L1	---	2.00MAX	---	---	0.0787MAX	---
θ	---	---	13°	---	---	13°

NUMBERING SCHEME

Ordering Number: CM2860XYZ/CM2861XYZ (note1)

Ordering Number: CM2860GXYZ/CM2861GXYZ (note2)

note1:

CM2860/CM2861: 600mA CMOS LDO

X : Suffix for voltage output (note 3)

Y : Suffix for Temperature Range (note 4)

Z : Suffix for Package Type (note 5)

note2:

CM2860/CM2861: 600mA CMOS LDO

G : Suffix for Pb Free Product

X : Suffix for voltage output (note 3)

Y : Suffix for Temperature Range (note 4)

Z : Suffix for Package Type (note 5)

note 3: see CMOS LDO Voltage Suffix Table

note 4:

Y = I : -40°C ~ +85°C (only I grade support for all CMOS LDOs)

note 5:

Z is single alphabet with or without digits

M223 : SOT-223 (TR only)

M89 : SOT-89 (TR only)

CMOS LDO Voltage Suffix Table

Output Voltage	Suffix	Output Voltage	Suffix
1.5V	A	3.0V	P
1.6V	B	3.1V	Q
1.7V	C	3.2V	R
1.8V	D	3.3V	S
1.9V	E	3.4V	T
2.0V	F	3.5V	U
2.1V	G	3.6V	V
2.2V	H	3.7V	W
2.3V	I	3.8V	X
2.4V	J	3.9V	Y
2.5V	K	4.0V	Z
2.6V	L		
2.7V	M		
2.8V	N		
2.9V	O		

IMPORTANT NOTICE

Champion Microelectronic Corporation (CMC) reserves the right to make changes to its products or to discontinue any integrated circuit product or service without notice, and advises its customers to obtain the latest version of relevant information to verify, before placing orders, that the information being relied on is current.

A few applications using integrated circuit products may involve potential risks of death, personal injury, or severe property or environmental damage. CMC integrated circuit products are not designed, intended, authorized, or warranted to be suitable for use in life-support applications, devices or systems or other critical applications. Use of CMC products in such applications is understood to be fully at the risk of the customer. In order to minimize risks associated with the customer's applications, the customer should provide adequate design and operating safeguards.

HsinChu Headquarter

5F, No. 11, Park Avenue II,
Science-Based Industrial Park,
HsinChu City, Taiwan
TEL: +886-3-567 9979
FAX: +886-3-567 9909

Sales & Marketing

7F-6, No.32, Sec. 1, Chenggong Rd., Nangang
District, Taipei City 115, Taiwan
TEL: +886-2-2788 0558
FAX: +886-2-2788 2985
