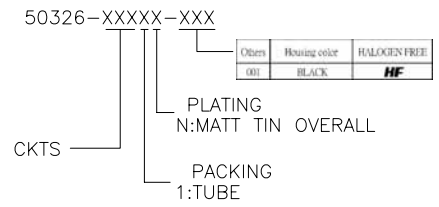
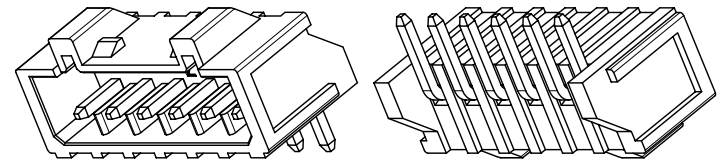


- NOTES:
- MATERIAL:
    - HOUSING: HALOGEN FREE PLASTIC, HIGH TEMP., UL94V-0;
    - CONTACT: COPPER ALLOY
  - FINISH:
    - CONTACT:
      - 100u" MIN. MATT TIN PLATING OVERALL
      - 50u" MIN. NICKEL UNDERPLATING OVERALL.
  - SPEC. PLS. REFER TO PS-50326-XXXX-XXX
  - PACKAGE PLS. REFER TO 91205-XXXX-TUBE
  - PART NUMBER



013	30.00	33.00	35.0	32.85
012	27.50	30.50	32.5	30.35
011	25.00	28.00	30.0	27.85
010	22.50	25.50	27.5	25.35
009	20.00	23.00	25.0	22.85
008	17.50	20.50	22.5	20.35
007	15.00	18.00	20.0	17.85
006	12.50	15.50	17.5	15.35
005	10.00	13.00	15.0	12.85
004	7.50	10.50	12.5	10.35
003	5.00	8.00	10.0	7.85
002	2.50	5.50	7.5	5.35
CKTS	DIM. A	DIM. B	DIM. C	DIM. D



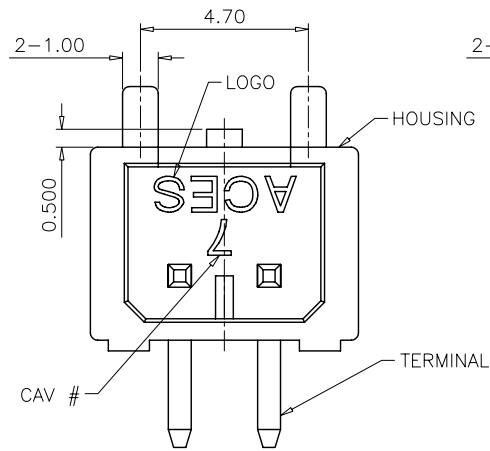
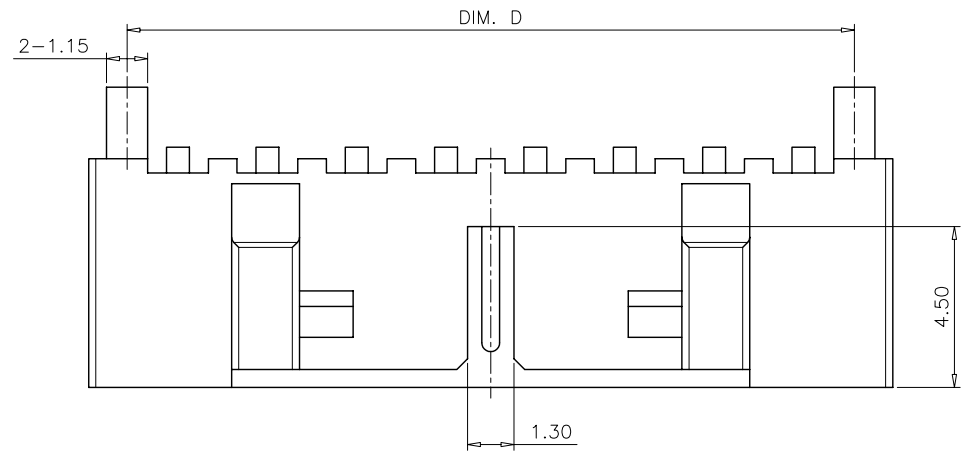
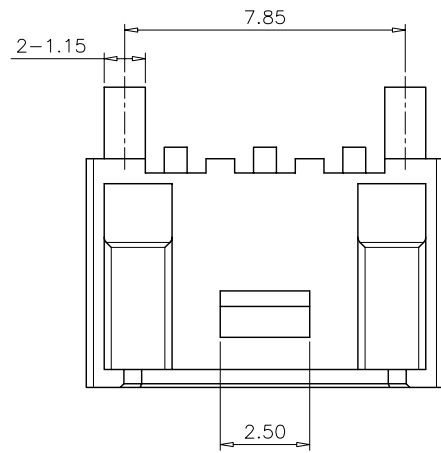
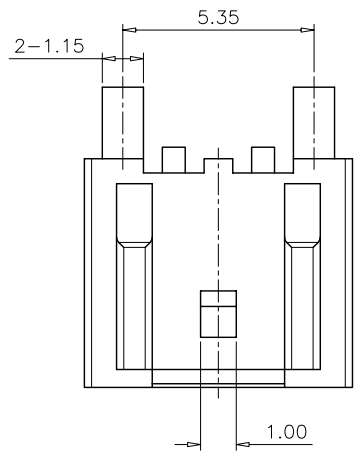
RECOMMENDED PCB LAYOUT  
GENERAL TOLERANCE  $\pm 0.05$

0	APP970142 NEW RELEASE	'08/10/15	ROGER
REV	DESCRIPTION	DATE	SIGNATURE

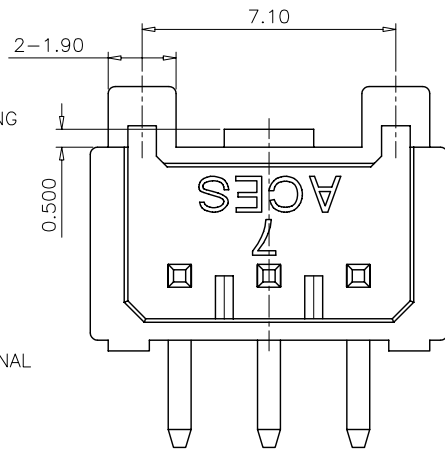
一般公差 <b>TOLERANCES</b> X $\pm 0.5$ XX $\pm 0.15$ Y $\pm 0.25$ XXX $\pm 0.1$ ANGLES $\pm 2^\circ$		<b>宏致電子股份有限公司</b> Aces Electronic Co.,Ltd.	
檢驗尺寸標示 <b>SYMBOLS</b> $\odot$ $\otimes$ INDICATE <b>CLASSIFICATION DIMENSION</b>	品名 (TITLE) 2.5mm PITCH WTB WAFER CONN. T/H S/R R/A TYPE	製圖 (DR) '08/10/15 審核 (CHKD) SAM	ROGER
$\odot$ MARK IS CRITICAL DIM. $\otimes$ MARK IS MAJOR DIM.	圖號 (DWG.NO) 50326-XXXX-XXX	核准 (APPD) JASON	
表面處理 (FINISH)	比例 (SCALE) 5:1	單位 (UNITS) mm	張數 (SHEET) 1 OF 2
			尺寸 (SIZE) A4
			版數 (REV) 0



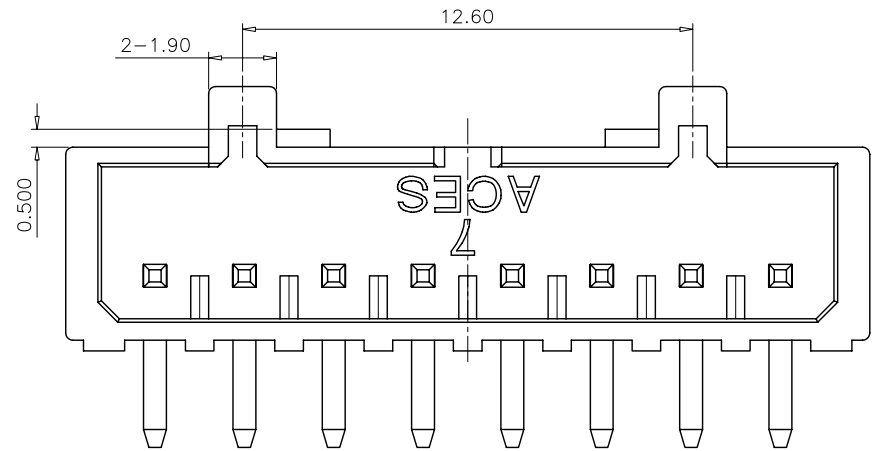
NOTES:  
SEE PAGE 1.



02 PIN



03 PIN



08~13 PIN

一般公差 <b>TOLERANCES</b> X ±0.5    .XX ±0.15 .X ±0.25   .XXX ±0.1 ANGLES    ±2°		<b>宏致電子股份有限公司</b> Aces Electronic Co.,Ltd.	
檢驗尺寸標示 <b>SYMBOLS</b> Ⓞ Ⓢ INDICATE <b>CLASSIFICATION DIMENSION</b> Ⓞ MARK IS CRITICAL DIM. Ⓢ MARK IS MAJOR DIM.	品名 (TITLE) 2.5mm PITCH WTB WAFER CONN. T/H S/R R/A TYPE 圖號 (DWG.NO) 50326-XXXXX-XXX	製圖 (DR) '08/10/15 ROGER 審核 (CHKD) SAM 核准 (APPD) JASON	張數 (SHEET) 2 OF 2 尺寸 (SIZE) A4 版次 (REV) 0
表面處理 (FINISH)	比例 (SCALE) 5:1	單位 (UNITS) mm	

SEE PAGE 1	日期 DATE	申請人 SIGNATURE
REV	DESCRIPTION	