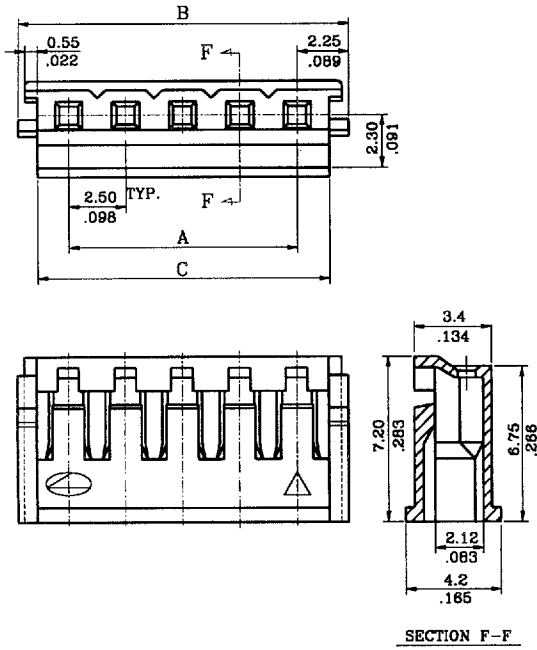


2420 Series 2.50mm(.098") Crimp Type Latch Socket



Unit : $\frac{\text{mm}}{\text{inch}}$



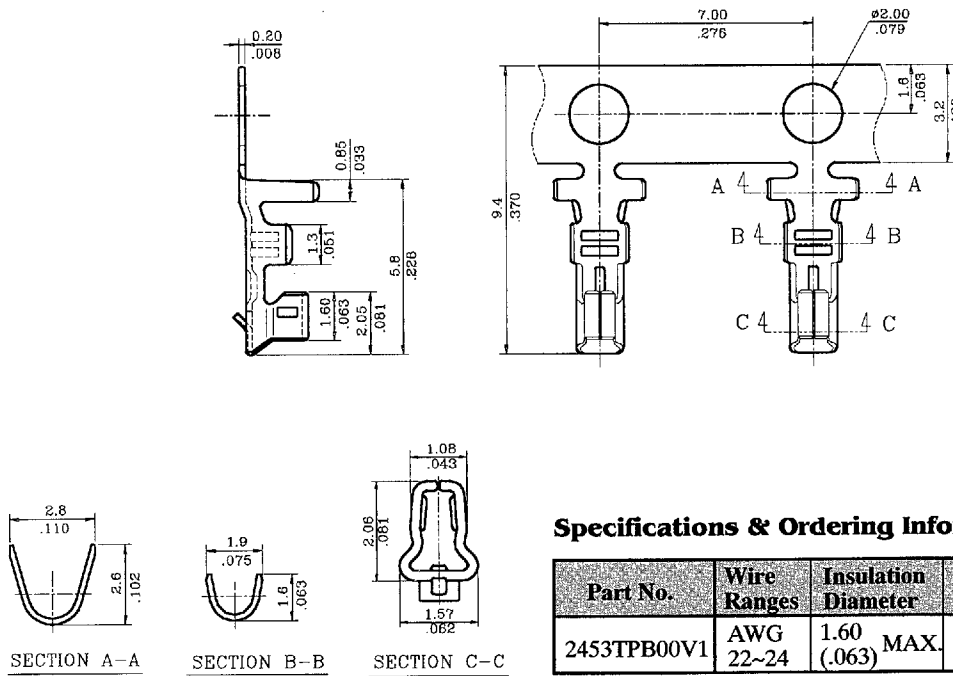
Dimensional & Ordering Information:

Circuits	Part No.	Dimension		
		A	B	C
2	2420S020000	2.50(.098)	7.00(.276)	5.30(.209)
3	2420S030000	5.00(.197)	9.50(.374)	7.80(.307)
4	2420S040000	7.50(.295)	12.00(.472)	10.30(.406)
5	2420S050000	10.00(.394)	14.50(.571)	12.80(.504)
6	2420S060000	12.50(.492)	17.00(.669)	15.30(.602)
7	2420S070000	15.00(.591)	19.50(.768)	17.80(.701)
8	2420S080000	17.50(.689)	22.00(.866)	20.30(.799)
9	2420S090000	20.00(.787)	24.50(.965)	22.80(.898)
10	2420S100000	22.50(.886)	27.00(1.063)	25.30(.996)
11	2420S110000	25.00(.984)	29.50(1.161)	27.80(1.094)
12	2420S120000	27.50(1.083)	32.00(1.260)	30.30(1.193)
13	2420S130000	30.00(1.181)	34.50(1.358)	32.80(1.291)
14	2420S140000	32.50(1.280)	37.00(1.457)	35.30(1.390)
15	2420S150000	35.00(1.378)	39.50(1.555)	37.80(1.488)

2453 Series 2.50mm(.098") Crimp Terminal

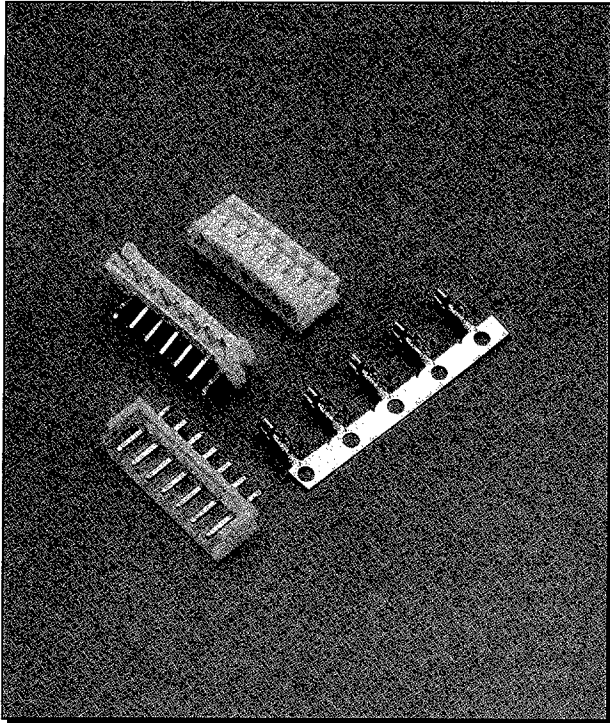


Unit : $\frac{\text{mm}}{\text{inch}}$



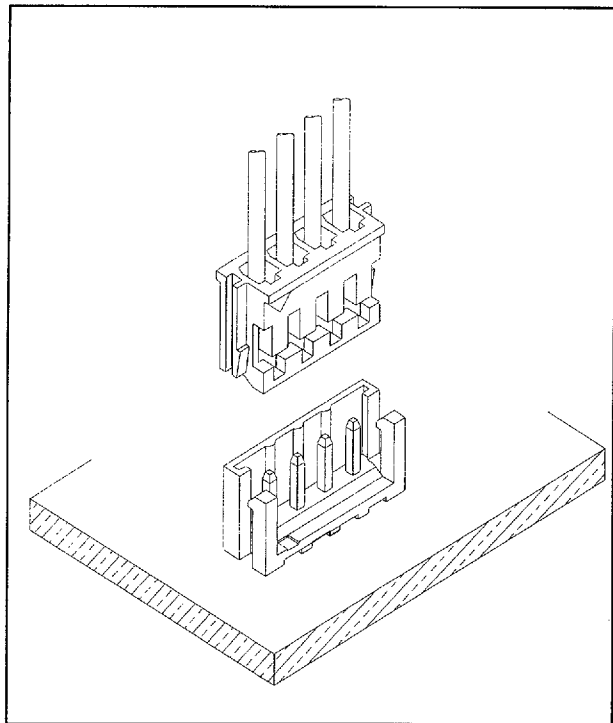
Specifications & Ordering Information:

Part No.	Wire Ranges	Insulation Diameter	Reel Q'ty	Tooling
2453TPB00V1	AWG 22~24	1.60 (MAX.) (.063)	5,000 PCS	CCD-2453R01



Features

- ◆ 2420 Housing:
 - Available in 2 through 15 circuits
 - Low profile
 - Polarized with locking ribs
 - Nylon 6/6 UL94V-0
 - Accepts Leoco 2453 crimp terminal
 - Mates with Leoco 2421 straight or right angle version header
- ◆ 2453 Terminal:
 - Low profile
 - Dual beam contacts
 - Accommodate wire range AWG 22 through 28
 - Use in Leoco 2420 series socket
 - Mates with 0.64mm(.025") square pin
 - Material: Pre-tinned phosphor bronze
- ◆ 2421 Header:
 - Available in 2 through 15 circuits
 - Low profile
 - Polarization slots
 - With standoffs minimize flux wicking
 - Nylon 6/6 UL94V-0
 - 0.64mm(.025") tin plated square pin
 - Mates with Leoco 2420 socket



Specifications

- ◆ Current rating: 3A DC
- ◆ Voltage rating: 250V AC
- ◆ Temperature rating: -40°C ~ +105°C
- ◆ Contact resistance:
 - Initial: 20mΩ max.
 - After environmental test: 40mΩ max.
- ◆ Insulation resistance:
 - Initial: 1,000MΩ min.
 - After humidity and thermal shock test: 500MΩ min.
- ◆ Withstanding voltage: 800V AC /minute
- ◆ Applicable wire: AWG 22 to 24
- ◆ Applicable PC board thickness: 1.6mm

Standards

Recognized No. E82349

Certified No. LR65731