

RoHS COMPATIBLE PRODUCT NUMBER
54242-XXXXXXXXLF

LEADED PRODUCT NUMBER
54242-XXX-XX-XXXX

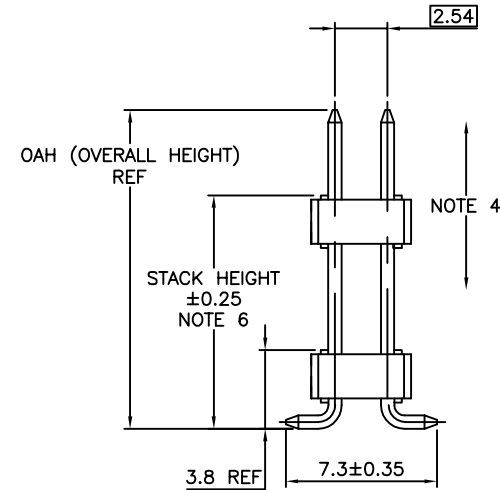
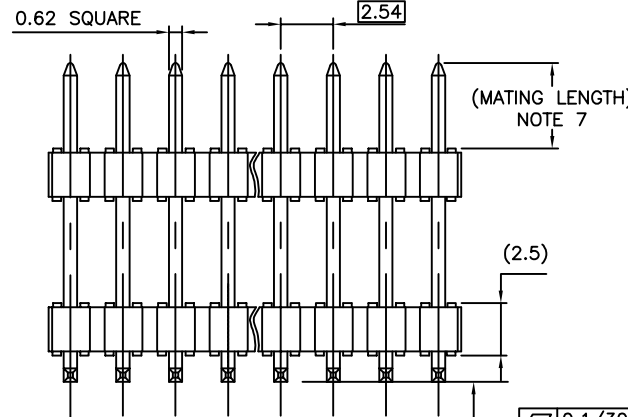
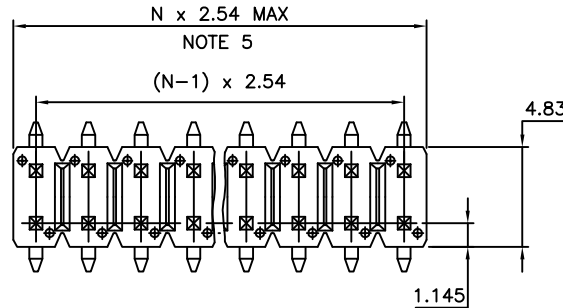
AS AVAILABLE

PLATING

- 1 = 0.76µm GOLD/GXT ON CONTACT AREA
2µm MIN MATTE TIN ON TAIL
OVER 1.27µm Ni MIN
- 8 = 0.38µm GOLD/GXT ON CONTACT AREA
2µm MIN MATTE TIN ON TAIL
OVER 1.27µm Ni MIN
- 4 = 2µm MIN MATTE TIN
OVER 1.27µm Ni MIN

- INDICATES THE PRODUCT IS RoHS COMPATIBLE
SEE NOTE 8
- STACK HEIGHT
NOTE 6
- TOTAL NB OF POSITIONS
04 TO 50

PIN STYLE	OAH
01	10.42
02	11.72
03	14.12
15	14.78
04	14.98
05	15.87
06	17.13
07	19.18
19	20.62
08	21.72
09	24.26
14	24.64
18	26.22
10	26.8
20	28.70
11	29.34
21	30.37
12	31.88
13	32.22
16	34.42
22	35.52
23	36.62
24	40.52
25	41.22
26	45.22
27	50.22

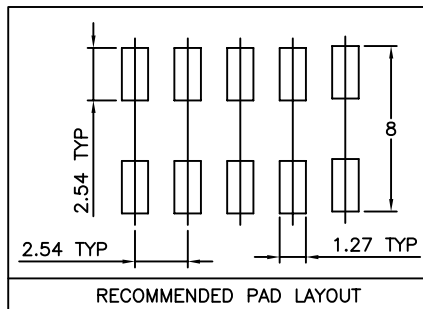


NOTES:

1. HOUSING MAT'L : HIGH TEMPERATURE THERMOPLASTIC. UL94V-0 COLOR: BLACK
2. PIN MATERIAL : PHOSPHOR BRONZE
3. PRODUCT PACKAGED IN PLASTIC BOX
4. 9N MIN RETENTION IN EITHER DIRECTION
5. TO DETERMINE DIMENSIONS :
N = NUMBER OF POSITIONS PER ROW
EXAMPLE : 8 POS PER ROW, N x 2.54 = 20.32mm
6. XXXX = MILLIMETERS
SPECIFY MILLIMETERS
6.5mm MIN TO 45.0mm MAX AVAILABLE
IN 0.5mm INCREMENT
EXAMPLE FOR STACK HEIGHT: 1 2 5 0 = 12.5mm
7. MATING LENGTH = (OAH)-(STACK HEIGHT)

8. RoHS COMPATIBLE PRODUCT SPECIFICATIONS

- a - PLATING:
 - "LF" MEANS THE PRODUCT IS LEAD-FREE, 2µm MINIMUM MATTE TIN OVER 1.27µm MINIMUM NICKEL UNDERPLATE.
- b - MANUFACTURING PROCESS COMPATIBILITY
- c - LABELLING:
 - MEETS PACKAGING SPECS AS PER GS-14-920
- d - THIS PRODUCT MEETS EUROPEAN UNION DIRECTIVES AND OTHER COUNTRY REGULATIONS AS DESCRIBED IN GS-47-0004.



PRELIMINARY

mat'l. code SEE NOTES		surface ISO 1302	tolerance ISO 406 ISO 1101	projection mm	product family BERGSTIK
ltr	ecn no	dr	date	tolerances unless otherwise specified	title
H	B-17848	LMU	14.06.05	angles linear x.xx ±0.3 x.xxx ±0.13	UNSHR.HEADER STR DR SMT
C	F04-0328	LMU	04.08.31	x.xxx ±0.05	scale 4:1
D	F04-0385	LMU	04.12.16	dr	D.LE 01.01.24
E	F06-0168	LMU	06.04.21	enrg	JM.C 01.01.24
F	F06-0196	LMU	06.06.13	chr	JM.C 01.01.24
G	F08-0148	RTR	08.03.31	appd	JF.N 01.01.24
sheet index	revision sheet				