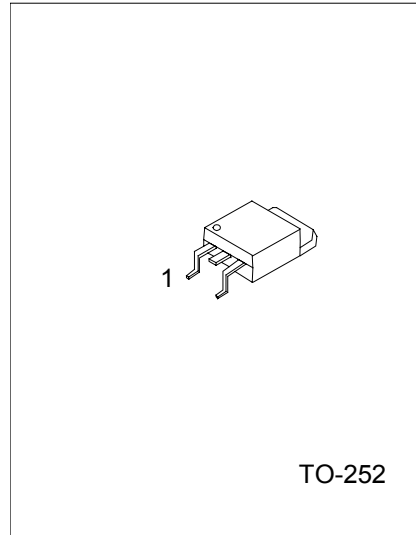


HIGH VOLTAGE DRIVER APPLICATION

FEATURES

- *High breakdown voltage.
- *Excellent hFE linearity.



TO-252

1: BASE 2:COLLECTOR 3:EMITTER

ABSOLUTE MAXIMUM RATINGS (Ta=25°C)

PARAMETER	SYMBOL	RATING	UNIT
Collector-Base Voltage	V _{CB0}	-400	V
Collector-Emitter Voltage	V _{CEO}	-400	V
Emitter-Base Voltage	V _{EB0}	-5	V
Collector Current	I _c	-200	mA
Collector Current (PULSE)	I _{cp}	-400	mA
Collector Power Dissipation	P _c	1	W
		10(T _c =25°C)	W
Junction Temperature	T _j	150	°C
Storage Temperature	T _{stg}	-55 ~ +150	°C

ELECTRICAL CHARACTERISTICS (Ta=25°C, unless otherwise specified)

PARAMETER	SYMBOL	TEST CONDITIONS	MIN	TYP	MAX	UNIT
Collector-Base Breakdown Voltage	BV _{CB0}	I _C = -10μA, I _E =0	-400			V
Collector-Emitter Breakdown Voltage	BV _{CEO}	I _C = -1mA, I _B =0, R _{BE} =∞	-400			V
Emitter-Base Breakdown Voltage	BV _{EB0}	I _E = -10μA, I _C =0	-5			V
Collector Cutoff Current	I _{CB0}	V _{CB} = -300V, I _E =0			-0.1	μA
Emitter Cutoff Current	I _{EB0}	V _{EB} = -4V, I _C =0			-0.1	μA
DC Current Transfer Ratio	h _{FE}	V _{CE} = -10V, I _c = -50mA	60		200	
Collector-Emitter Saturation Voltage	V _{CE(sat)}	I _C = -50mA, I _B = -5mA			-0.8	V
Base-Emitter Saturation Voltage	V _{BE(sat)}	I _C = -50mA, I _B = -5mA			-1.0	V
Output Capacitance	C _{ob}	V _{CB} = -30V, f=1MHz		5		pF
Reverse Transfer Capacitance	C _{re}	V _{CB} = -30V, f=1MHz		4		pF

UTC2SA1700

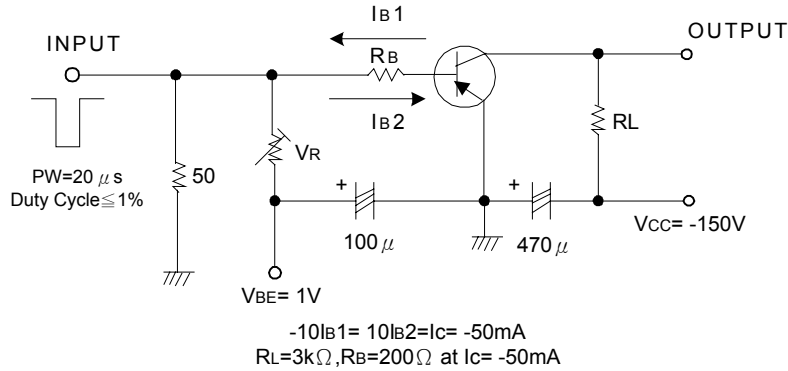
PNP EPITAXIAL SILICON TRANSISTOR

PARAMETER	SYMBOL	TEST CONDITIONS	MIN	TYP	MAX	UNIT
Gain-Bandwidth Product	f_r	$V_{CE} = -30V, I_c = -10mA$		70		MHz
Turn-on Time	t_{on}	See test circuit		0.25		μs
Turn-off Time	t_{off}	See test circuit		5		μs

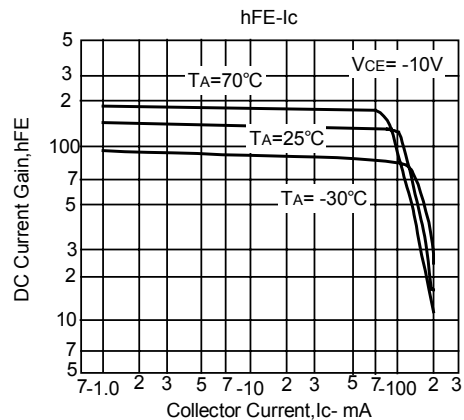
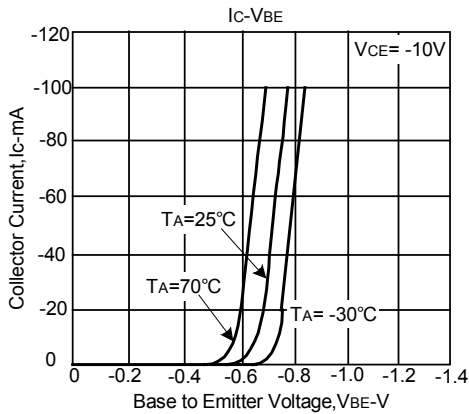
CLASSIFICATION OF h_{FE}

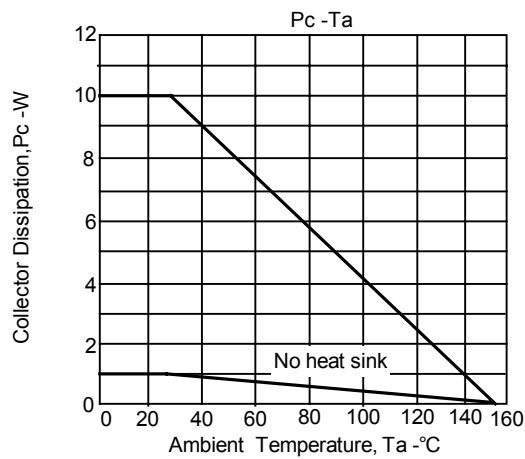
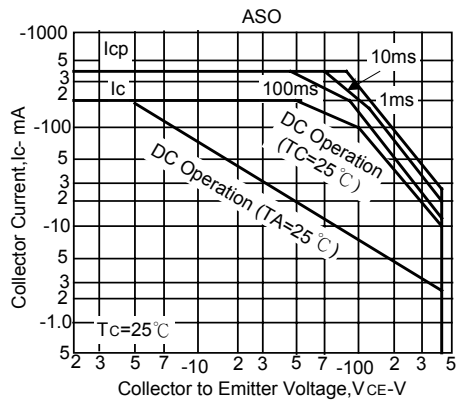
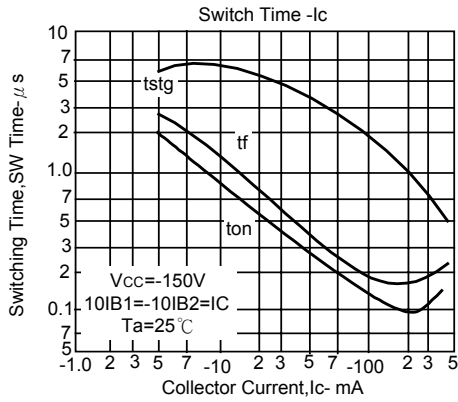
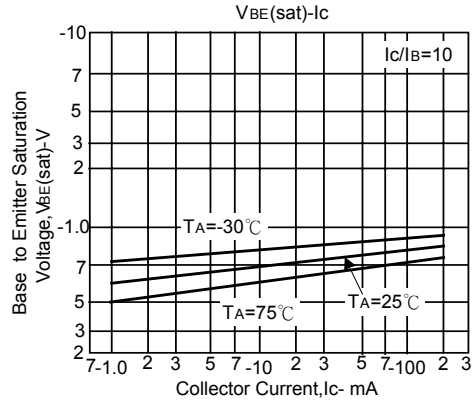
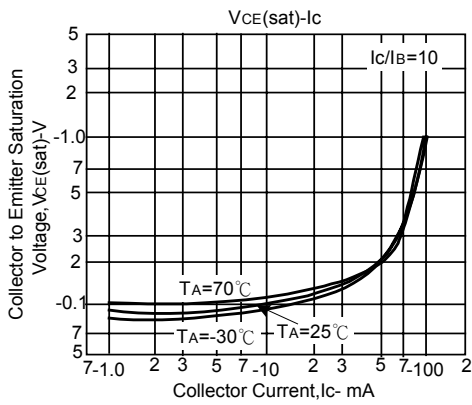
RANK	D	E
RANGE	60-120	100-200

TEST CIRCUIT (Unit : (resistance : Ω , capacitance : F))



ELECTRICAL CHARACTERISTICS CURVES





UTC assumes no responsibility for equipment failures that result from using products at values that exceed, even momentarily, rated values (such as maximum ratings, operating condition ranges, or other parameters) listed in products specifications of any and all UTC products described or contained herein. UTC products are not designed for use in life support appliances, devices or systems where malfunction of these products can be reasonably expected to result in personal injury. Reproduction in whole or in part is prohibited without the prior written consent of the copyright owner. The information presented in this document does not form part of any quotation or contract, is believed to be accurate and reliable and may be changed without notice.