

**SPECIFICATIONS**

**Header Connector**

**Mechanical**

**Contact Retention Force:** 454g Min.  
**Durability:** 500 Cycles

**HD82 Series**

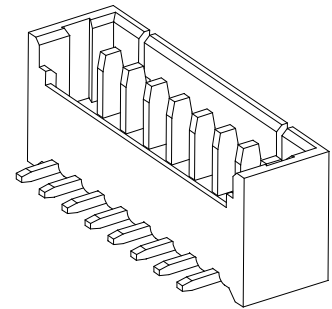
**R/A, T/H Type**  
**1.25mm [.049"] Pitch**

**Electrical**

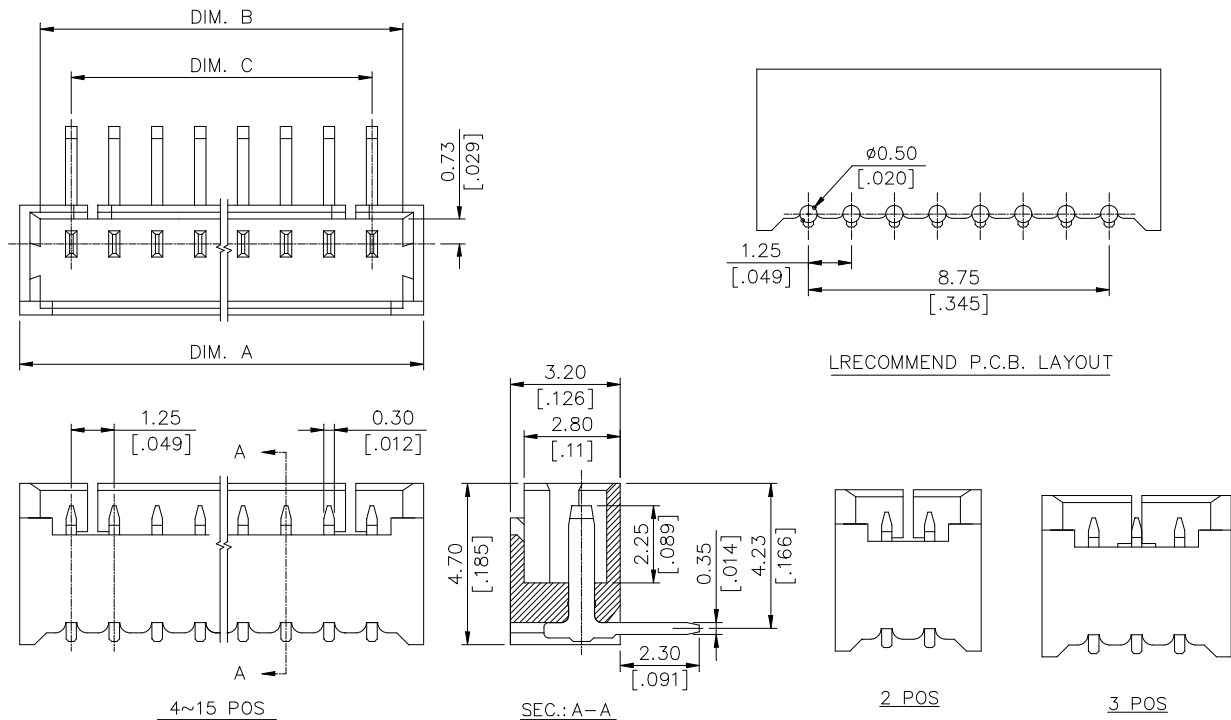
**Voltage Rating:** 125V  
**Current Rating:** 1.0A Per Pin Min.  
**Contact Resistance:** 20 MW Max.  
**Dielectric Withstanding Voltage:** 250V AC  
**Insulation Resistance:** 1000MW min.

**Physical**

**Housing:** High Temp thermoplastic, UL94V-0, Rated In Ivory Color  
**Contact:** Copper Alloy  
**Plating:** See "ORDERING INFORMATION"  
**Operating Temperature:** -40 to +85

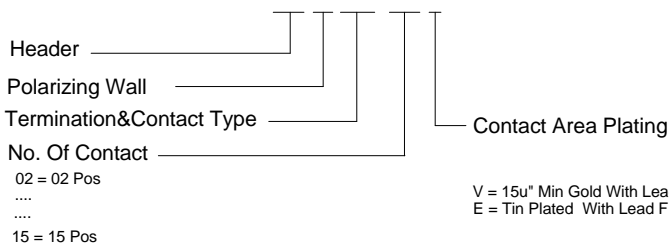


**DRAWING**



**ORDERING INFORMATION**

**PRODUCT NO.:** H D 8 2 \* \* \*



**See The Attachment**



HD8215*	15	20.50 [.808]	19.30 [.76]	17.50 [.69]
HD8214*	14	19.25 [.758]	18.05 [.711]	16.25 [.64]
HD8213*	13	18.00 [.709]	16.80 [.662]	16.00 [.63]
HD8212*	12	15.50 [.611]	15.55 [.613]	13.75 [.542]
HD8211*	11	16.75 [.66]	14.30 [.563]	12.50 [.493]
HD8210*	10	14.25 [.561]	13.05 [.514]	11.25 [.443]
HD8209*	09	13.00 [.512]	11.80 [.465]	10.00 [.394]
HD8208*	08	11.75 [.463]	10.55 [.416]	8.75 [.345]
HD8207*	07	10.50 [.414]	9.30 [.366]	7.50 [.296]
HD8206*	06	9.25 [.364]	8.05 [.317]	6.25 [.246]
HD8205*	05	8.00 [.315]	6.80 [.268]	5.00 [.197]
HD8204*	04	6.75 [.266]	5.55 [.219]	3.75 [.148]
HD8203*	03	5.50 [.217]	4.30 [.169]	2.50 [.098]
HD8202*	02	4.25 [.167]	3.05 [.120]	1.25 [.049]
P/N	POS.	DIM. A	DIM. B	DIM. C