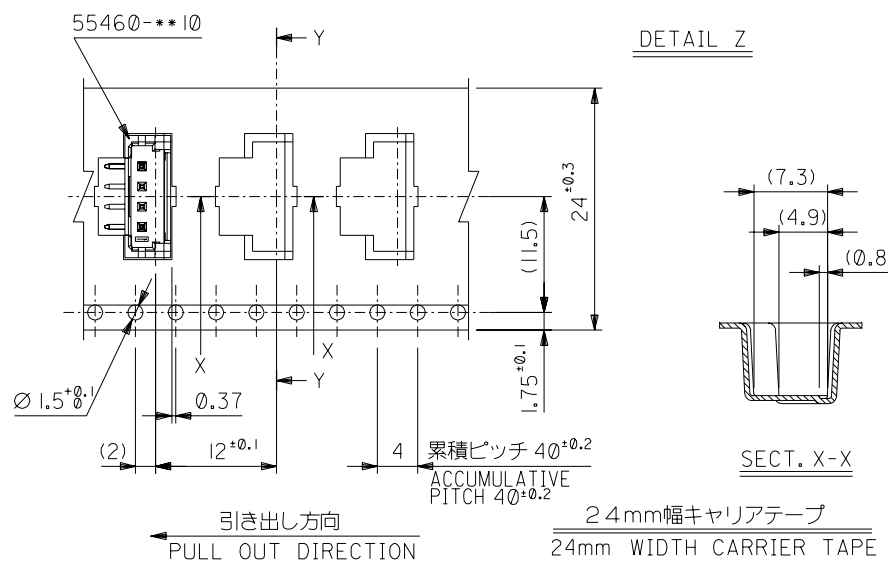
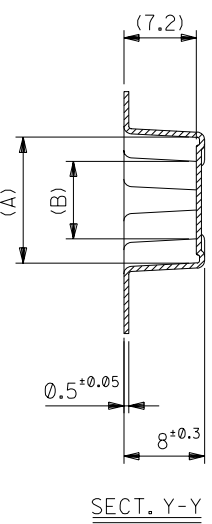
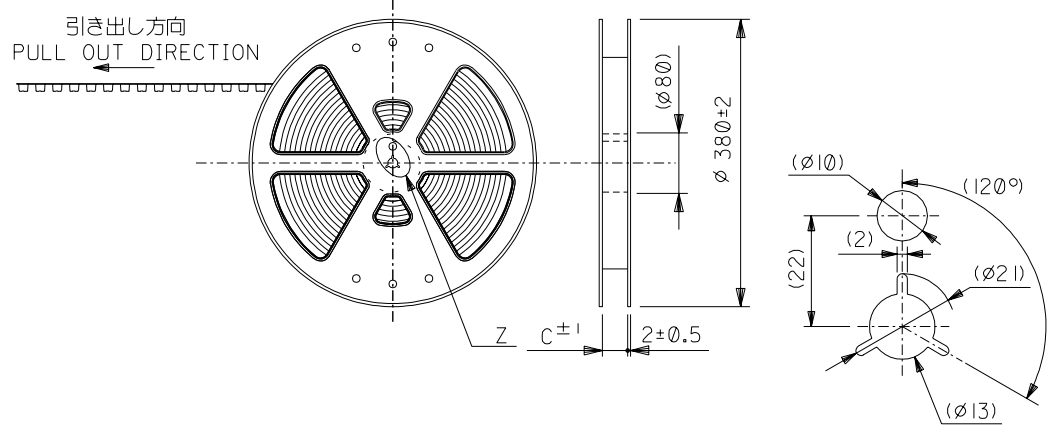
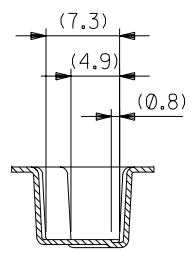


DWG. NO. SD-55460-005



DETAIL Z



SECT. X-X

NOTES

- 梱包数量：900個/リール
NUMBER OF CONNECTOR:900PCS/REEL
- リードテープ長さ
LEAD TAPE LENGTH
- トップテープの剥離強度：0.1N～0.59N(10.2～60gf) (剥離方向は下図参照)
PEELING OFF FORCE OF TOP TAPE:0.1N～0.59N(10.2～60gf)
(PEELING DIRECTION IS SHOWN IN FOLLOWING FIG.)
 <剥離速度：300mm/min(参考)>
PEELING SPEED:300mm/min.(REFERENCE)
- 55460-***10の詳細寸法については図面 SD-55460-004 を参照下さい。
RE DETAILED DIMENSIONS,SEE SD-55460-004
- 材料 (MATERIAL)
キャリアテープ (CARRIER TAPE):ポリプロピレン (POLYPROPYLENE)
トップテープ (TOP TAPE): PET ,PE ,PEF
リール (REEL): ポリスチレン (PS) <リサイクル材を含む>
POLYSTYRENE(PS)<RECYCLE MATERIAL CONTAINED>

24	25.5	11.7	16.45	55460-0690	6	
		9.7	14.45	55460-0590	5	
		7.7	12.45	55460-0490	4	
		5.7	10.45	55460-0390	3	
		3.7	8.45	55460-0290	2	
キャリアテープ幅		C	B	A	MATERIAL NO.	極数 CKTS.

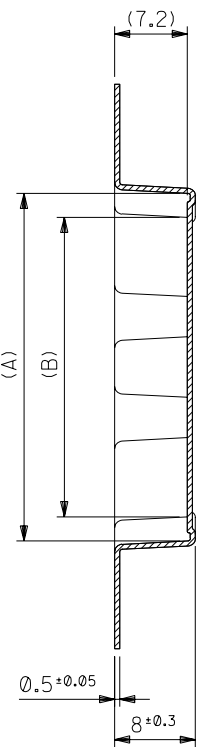
DO NOT SCALE DRAWING

EC NO. DRWN: CHK: APPR:	変更 REVISED EC NO. J2003-2202 DRWN: T. TSUBOI 03/22/20 CHK: K. ASAKAWA APPR: T. YAMAGUCHI	変更 REVISED EC NO. J2002-1565 DRWN: K. TOJO 01/27/20 CHK: M. SASAO APPR: M. SASAO	変更 REVISED EC NO. J2002-1247 DRWN: Y. U. YAMAGUCHI CHK: N. MATSUURA APPR: Y. ITO 01/11/20	変更 REVISED EC NO. JC2001-0909 DRWN: N. YANO 01/5/24 CHK: S. KUNISHI APPR: T. YAMAGUCHI
REV	INS. RANGE 被覆外径	WIRE RANGE 適用層線範囲	FINISH 仕上げ	MATERIAL 材料

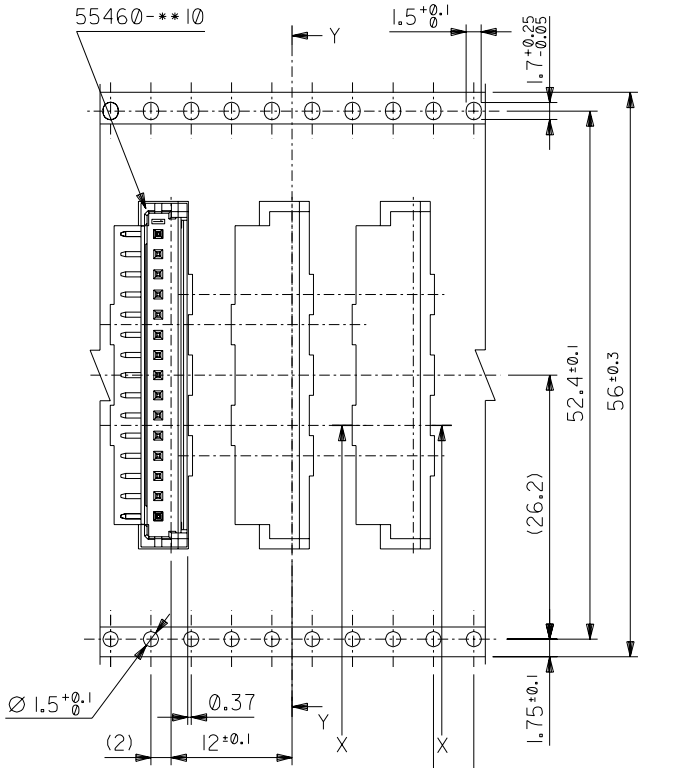
注記参照
SEE NOTES

10 UNDER 未満	±0.2
10 OVER 以上	±0.25
30 UNDER 未満	±0.25
30 OVER 以上	±0.3
ANGLE 角度	±3°

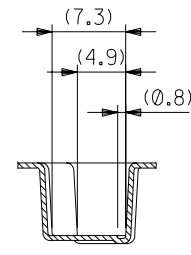
SCALE	DESIGN UNITS	DIMENSIONS:	SHT	REV
---	<input checked="" type="checkbox"/> mm <input type="checkbox"/> INCH	<input type="checkbox"/> mm <input type="checkbox"/> INCH <input checked="" type="checkbox"/> mm ONLY		
DRAWN BY & DATE H. IJIMA 99/3/26	CHECKED BY & DATE K. ASAKAWA 03/22/20	TITLE: 2.0 W+B Conn WAFER Assy Embstp pkg		
APPROVED BY & DATE T. YAMAGUCHI 03/22/20	CAD FILENAME 55460005.S01	MATERIAL NO. 55460-***90	DRAWING NO. SD-55460-005	SHEET NO. 1 OF 3
THIS DRAWING CONTAINS INFORMATION THAT IS PROPRIETARY TO MOLEX INCORPORATED AND SHOULD NOT BE USED WITHOUT WRITTEN PERMISSION.				SIZE B



SECT. Y-Y



引き出し方向
PULL OUT DIRECTION
56mm幅キャリアテープ
56mm WIDTH CARRIER TAPE



SECT. X-X

56	57.5	29.7	34.45	55460-1590	15
キャリアテープ幅	C	B	A	MATERIAL NO.	極数 CKTS.
55460-***90		MODEL NO.	DIMENSIONS:		REV
SCALE		DESIGN UNITS	THIRD ANGLE PROJECTION	<input type="checkbox"/> mm <input type="checkbox"/> INCH	REVISIONS ON CAD ONLY

EC NO.	REVISED	MATERIAL	GENERAL TOLERANCES:	SCALE	DESIGN UNITS	THIRD ANGLE PROJECTION	DIMENSIONS:	REV
DRWN:	J2003-2202	材料	(UNLESS SPECIFIED)	---	<input checked="" type="checkbox"/> mm <input type="checkbox"/> INCH	<input type="checkbox"/> mm <input type="checkbox"/> INCH	<input type="checkbox"/> mm <input type="checkbox"/> INCH	REVISIONS ON CAD ONLY
CH'K:	T.SUBOI	SHEET 1 OF 3 参照	一般公差	10 UNDER	DRAWN BY & DATE	TITLE:		
APPR:	K.ASAKAWA	SEE SHEET 1 OF 3		未滿	H.IIJIMA	2.0 W+B Conn WAFER Assy		
変更	T.YAMAGUCHI			10 OVER	CHECKED BY & DATE	Embstp pkg		
EC NO.	J2002-1565			30 UNDER	K.ASAKAWA	MOLEX INCORPORATED		
DRWN:	K.TOJO			未滿	T.YAMAGUCHI	MATERIAL NO.		
CH'K:	M.SASAO			30 OVER	APPROVED BY & DATE	SD-55460-005		
APPR:	M.SASAO			以上	T.YAMAGUCHI	DRAWING NO.		
変更	T.YAMAGUCHI			ANGLE	55460005.S01	3 OF 3		
EC NO.	J2002-1247	DESCRIPTION		角度	55460-***90	SHEET NO.		
DRWN:	Y.U.YAMAGUCHI				55460-***90	EN-02J(097) MXJ-54		
CH'K:	N.MATSUURA					SIZE		
APPR:	Y.ITO					B		
変更	T.YAMAGUCHI					55460005.S03		
EC NO.	JC2001-0909	FINISH						
DRWN:	N.YANO	仕上げ						
CH'K:	S.KUNISHI	---						
APPR:	T.YAMAGUCHI	---						
変更	T.YAMAGUCHI	---						
EC NO.	J2002-1247	WIRE RANGE						
DRWN:	Y.U.YAMAGUCHI	適用層線範囲						
CH'K:	N.MATSUURA	---						
APPR:	Y.ITO	---						
変更	T.YAMAGUCHI	---						
EC NO.	J2002-1247	INS. RANGE						
DRWN:	Y.U.YAMAGUCHI	被覆外径						
CH'K:	N.MATSUURA	---						
APPR:	Y.ITO	---						
変更	T.YAMAGUCHI	---						

THIS DRAWING CONTAINS INFORMATION THAT IS PROPRIETARY TO MOLEX INCORPORATED AND SHOULD NOT BE USED WITHOUT WRITTEN PERMISSION.