



Programmable System Clock Chip for AMD - K7™ processor

Recommended Application:

VIA KX/KT133 style chipset

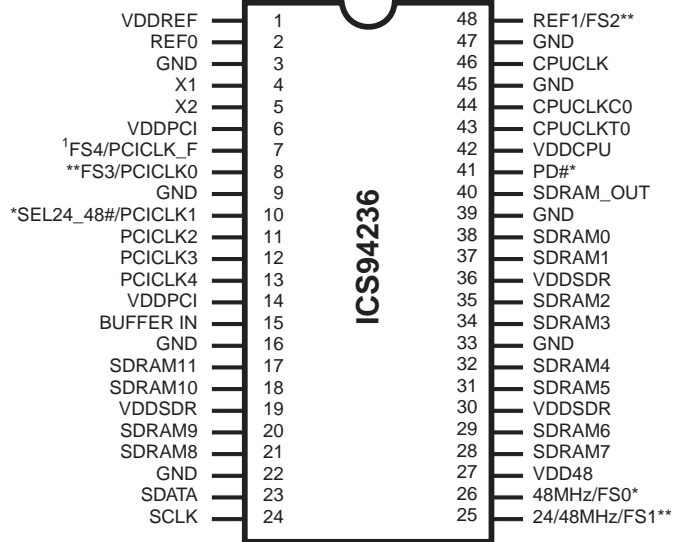
Output Features:

- 1 - Differential pair open drain CPU clocks
- 1 - CPU clock @ 3.3V
- 13 - SDRAM @ 3.3V
- 6 - PCI @3.3V,
- 1 - 48MHz, @3.3V fixed.
- 1 - 24/48MHz @ 3.3V
- 2 - REF @3.3V, 14.318MHz.

Features:

- Programmable output frequency.
- Programmable output rise/fall time.
- Programmable PCI_F and PCICLK skew.
- Spread spectrum for EMI control typically by 7dB to 8dB, with programmable spread percentage.
- Watchdog timer technology to reset system if over-clocking causes malfunction.
- Uses external 14.318MHz crystal.
- FS pins for frequency select

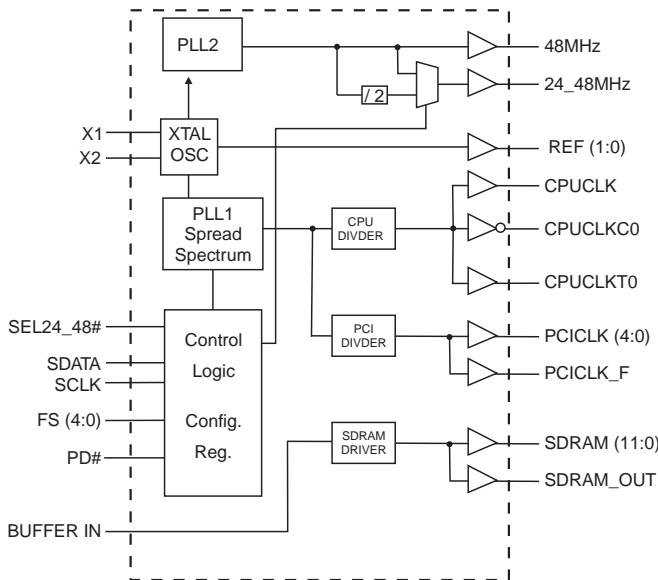
Pin Configuration



48-Pin 300mil SSOP

- * Internal Pull-up Resistor of 120K to VDD.
- ** Internal Pull-down Resistor of 120K to GND.
- 1 Internal Pull-down Resistor of 60K to GND.

Block Diagram



Functionality

| FS3 | FS2 | FS1 | FS0 | CPU (MHz) | PCICLK (MHz) |
|-----|-----|-----|-----|-----------|--------------|
| 0 | 0 | 0 | 0 | 95.00 | 31.67 |
| 0 | 0 | 0 | 1 | 100.00 | 33.33 |
| 0 | 0 | 1 | 0 | 102.00 | 34.00 |
| 0 | 0 | 1 | 1 | 105.00 | 35.00 |
| 0 | 1 | 0 | 0 | 110.00 | 36.67 |
| 0 | 1 | 0 | 1 | 113.00 | 37.67 |
| 0 | 1 | 1 | 0 | 115.00 | 38.33 |
| 0 | 1 | 1 | 1 | 120.00 | 40.00 |
| 1 | 0 | 0 | 0 | 133.33 | 33.33 |
| 1 | 0 | 0 | 1 | 135.00 | 33.75 |
| 1 | 0 | 1 | 0 | 137.00 | 34.25 |
| 1 | 0 | 1 | 1 | 139.00 | 34.75 |
| 1 | 1 | 0 | 0 | 141.00 | 35.25 |
| 1 | 1 | 0 | 1 | 143.00 | 35.75 |
| 1 | 1 | 1 | 0 | 145.00 | 36.25 |
| 1 | 1 | 1 | 1 | 150.00 | 37.50 |

* 16 additional frequency selectables via FS4, refer to page5 for frequency table.



General Description

The **ICS94236** is a main clock synthesizer chip for AMD-K7 based systems with VIA style chipset. This provides all clocks required for such a system.

The **ICS94236** belongs to ICS new generation of programmable system clock generators. It employs serial programming I²C interface as a vehicle for changing output functions, changing output frequency, configuring output strength, configuring output to output skew, changing spread spectrum amount, changing group divider ratio and dis/enabling individual clocks. This device also has ICS propriety 'Watchdog Timer' technology which will reset the frequency to a safe setting if the system become unstable from over clocking.

Pin Descriptions

| PIN NUMBER | PIN NAME | TYPE | DESCRIPTION |
|--|--------------------------|------|--|
| 1 | VDDREF | PWR | REF, XTAL power supply, nominal 3.3V |
| 2 | REF0 | OUT | 14.318 Mhz reference clock. This REF output is the STRONGER buffer for ISA BUS loads |
| 3,9,16,22,33,39,45, 47 | GND | PWR | Ground |
| 4 | X1 | IN | Crystal input, has internal load cap (36pF) and feedback resistor from X2 |
| 5 | X2 | OUT | Crystal output, nominally 14.318MHz. Has internal load cap (36pF) |
| 6,14 | VDDPCI | PWR | Supply for PCICLK_F and PCICLK, nominal 3.3V |
| 7 | PCICLK_F | OUT | Free running PCI clock not affected by PCI_STOP# for power management. |
| | FS4 ² | IN | Pin 17, pin 18 function select pin, 1=Desktop Mode, 0=Mobile Mode. Latched Input. |
| 8 | FS3 ² | IN | Frequency select pin. Latched Input. Internal Pull-down to GND |
| | PCICLK0 | OUT | PCI clock output |
| 10 | SEL24_48# ^{1,2} | IN | Logic input to select 24 or 48MHz for pin 25 output |
| | PCICLK1 | OUT | PCI clock output. |
| 11, 12, 13 | PCICLK(2:4) | OUT | PCI clock outputs. |
| 15 | BUFFER IN | IN | Input to Fanout Buffers for SDRAM outputs. |
| 17, 18, 20, 21, 28, 29, 31, 32, 34, 35,37,38 | SDRAM (11:0) | OUT | SDRAM clock outputs, Fanout Buffer outputs from BUFFER IN pin (controlled by chipset). |
| 19,30,36 | VDDSDR | PWR | Supply for SDRAM nominal 3.3V. |
| 23 | SDATA | IN | Data input for I ² C serial input, 5V tolerant input |
| 24 | SCLK | IN | Clock input of I ² C input, 5V tolerant input |
| 25 | 24_48MHz | OUT | 24MHz/48MHz clock output |
| | FS1 ² | IN | Frequency select pin. Latched Input. |
| 26 | 48MHz | OUT | 48MHz output clock |
| | FS0 ² | IN | Frequency select pin. Latched Input |
| 27 | VDD48 | PWR | Power for 24 & 48MHz output buffers and fixed PLL core. |
| 40 | SDRAM_OUT | OUT | Reference clock for SDRAM zero delay buffer |
| 41 | PD# ^{1,2} | IN | Powers down chip, active low |
| 42 | VDDCPU | PWR | Supply for CPU clock 3.3V |
| 43 | CPUCLKT0 | OUT | "True" clocks of differential pair CPU outputs. These open drain outputs need an external 1.5V pull-up. |
| 44 | CPUCLKC0 | OUT | "Complementary" clocks of differential pair CPU outputs. These open drain outputs need an external 1.5V pull-up. |
| 46 | CPUCLK | OUT | 3.3V CPU clock output powered by VDDCPU |
| 48 | REF1 | OUT | 14.318 MHz reference clock. |
| | FS2 ² | IN | Frequency select pin. Latched Input |

Notes:

- 1: Internal Pull-up Resistor of 120K to 3.3V on indicated inputs
- 2: Bidirectional input/output pins, input logic levels are latched at internal power-on-reset. Use 10Kohm resistor to program logic Hi to VDD or GND for logic low.



General I²C serial interface information for the ICS94236

How to Write:

- Controller (host) sends a start bit.
- Controller (host) sends the write address D2_(H)
- ICS clock will **acknowledge**
- Controller (host) sends a dummy command code
- ICS clock will **acknowledge**
- Controller (host) sends a dummy byte count
- ICS clock will **acknowledge**
- Controller (host) starts sending **Byte 0 through Byte 20** (see Note)
- ICS clock will **acknowledge** each byte **one at a time**
- Controller (host) sends a Stop bit

| How to Write: | |
|---------------------------|----------------------|
| Controller (Host) | ICS (Slave/Receiver) |
| Start Bit | |
| Address D2 _(H) | |
| | ACK |
| Dummy Command Code | |
| | ACK |
| Dummy Byte Count | |
| | ACK |
| Byte 0 | |
| | ACK |
| Byte 1 | |
| | ACK |
| Byte 2 | |
| | ACK |
| Byte 3 | |
| | ACK |
| Byte 4 | |
| | ACK |
| Byte 5 | |
| | ACK |
| Byte 6 | |
| | ACK |
| ○ | |
| ○ | ○ |
| ○ | ○ |
| | ○ |
| Byte 18 | |
| | ACK |
| Byte 19 | |
| | ACK |
| Byte 20 | |
| | ACK |
| Stop Bit | |

How to Read:

- Controller (host) will send start bit.
- Controller (host) sends the read address D3_(H)
- ICS clock will **acknowledge**
- ICS clock will send the **byte count**
- Controller (host) acknowledges
- ICS clock sends **Byte 0 through byte 8 (default)**
- ICS clock sends **Byte 0 through byte X (if X_(H) was written to byte 8).**
- Controller (host) will need to acknowledge each byte
- Controller (host) will send a stop bit

| How to Read: | |
|---|----------------------|
| Controller (Host) | ICS (Slave/Receiver) |
| Start Bit | |
| Address D3 _(H) | |
| | ACK |
| | Byte Count |
| ACK | |
| | Byte 0 |
| ACK | |
| | Byte 1 |
| ACK | |
| | Byte 2 |
| ACK | |
| | Byte 3 |
| ACK | |
| | Byte 4 |
| ACK | |
| | Byte 5 |
| ACK | |
| | Byte 6 |
| ACK | |
| If 7 _H has been written to B8 | Byte 7 |
| ACK | |
| ○ | ○ |
| ○ | ○ |
| ○ | ○ |
| | |
| If 12 _H has been written to B8 | Byte 18 |
| ACK | |
| If 13 _H has been written to B8 | Byte 19 |
| ACK | |
| If 14 _H has been written to B8 | Byte 20 |
| ACK | |
| Stop Bit | |

*See notes on the following page.



Brief I²C registers description for ICS94236 Programmable System Frequency Generator

| Register Name | Byte | Description | PWD Default |
|---|--------------|--|---|
| Functionality & Frequency Select Register | 0 | Output frequency, hardware / I ² C frequency select, spread spectrum & output enable control register. | See individual byte description |
| Output Control Registers | 1-6 | Active / inactive output control registers/latch inputs read back. | See individual byte description |
| Vendor ID & Revision ID Registers | 7 | Byte 11 bit[7:4] is ICS vendor id - 1001. Other bits in this register designate device revision ID of this part. | See individual byte description |
| Byte Count Read Back Register | 8 | Writing to this register will configure byte count and how many byte will be read back. Do not write 00 _H to this byte. | 08 _H |
| Watchdog Timer Count Register | 9 | Writing to this register will configure the number of seconds for the watchdog timer to reset. | 10 _H |
| Watchdog Control Registers | 10 Bit [6:0] | Watchdog enable, watchdog status and programmable 'safe' frequency' can be configured in this register. | 000,0000 |
| VCO Control Selection Bit | 10 Bit [7] | This bit select whether the output frequency is control by hardware/byte 0 configurations or byte 11&12 programming. | 0 |
| VCO Frequency Control Registers | 11-12 | These registers control the dividers ratio into the phase detector and thus control the VCO output frequency. | Depended on hardware/byte 0 configuration |
| Spread Spectrum Control Registers | 13-14 | These registers control the spread percentage amount. | Depended on hardware/byte 0 configuration |
| Group Skews Control Registers | 15-16 | Increment or decrement the group skew amount as compared to the initial skew. | See individual byte description |
| Output Rise/Fall Time Select Registers | 17-20 | These registers will control the output rise and fall time. | See individual byte description |

Notes:

- The ICS clock generator is a slave/receiver, I²C component. It can read back the data stored in the latches for verification. Readback will support standard SMBUS controller protocol. **The number of bytes to readback is defined by writing to byte 8.**
- When writing to byte 11 - 12, and byte 13 - 14, they must be written as a set.** If for example, only byte 14 is written but not 15, neither byte 14 or 15 will load into the receiver.
- The data transfer rate supported by this clock generator is 100K bits/sec or less (standard mode)
- The input is operating at 3.3V logic levels.
- The data byte format is 8 bit bytes.
- To simplify the clock generator I²C interface, the protocol is set to use only Block-Writes from the controller. The bytes must be accessed in sequential order from lowest to highest byte with the ability to stop after any complete byte has been transferred. The Command code and Byte count shown above must be sent, but the data is ignored for those two bytes. The data is loaded until a Stop sequence is issued.
- At power-on, all registers are set to a default condition, as shown.



Serial Configuration Command Bitmap

Byte0: Functionality and Frequency Select Register (default = 0)

| Bit | Description | | | | | | | | PWD |
|----------------|---|-------------|-------------|-------------|-------------|---------------|---------------------|---------------------|--------|
| Bit (2,7:4) | Bit2 FS4 | Bit7 FS3 | Bit6 FS2 | Bit5 FS1 | Bit4 FS0 | CPUCLK MHz | PCICLK MHz | Spread % | Note 1 |
| | 0 | 0 | 0 | 0 | 0 | 95.00 | 31.67 | 0.45% Center Spread | |
| | 0 | 0 | 0 | 0 | 1 | 100.00 | 33.33 | 0.45% Center Spread | |
| | 0 | 0 | 0 | 1 | 0 | 102.00 | 34.00 | 0.45% Center Spread | |
| | 0 | 0 | 0 | 1 | 1 | 105.00 | 35.00 | 0.45% Center Spread | |
| | 0 | 0 | 1 | 0 | 0 | 110.00 | 36.67 | 0.45% Center Spread | |
| | 0 | 0 | 1 | 0 | 1 | 113.00 | 37.67 | 0.45% Center Spread | |
| | 0 | 0 | 1 | 1 | 0 | 115.00 | 38.33 | 0.45% Center Spread | |
| | 0 | 0 | 1 | 1 | 1 | 120.00 | 40.00 | 0.45% Center Spread | |
| | 0 | 1 | 0 | 0 | 0 | 133.33 | 33.33 | 0.45% Center Spread | |
| | 0 | 1 | 0 | 0 | 1 | 135.00 | 33.75 | 0.45% Center Spread | |
| | 0 | 1 | 0 | 1 | 0 | 137.00 | 34.25 | 0.45% Center Spread | |
| | 0 | 1 | 0 | 1 | 1 | 139.00 | 34.75 | 0.45% Center Spread | |
| | 0 | 1 | 1 | 0 | 0 | 141.00 | 35.25 | 0.45% Center Spread | |
| | 0 | 1 | 1 | 0 | 1 | 143.00 | 35.75 | 0.45% Center Spread | |
| | 0 | 1 | 1 | 1 | 0 | 145.00 | 36.25 | 0.45% Center Spread | |
| | 0 | 1 | 1 | 1 | 1 | 150.00 | 37.50 | 0.45% Center Spread | |
| | 1 | 0 | 0 | 0 | 0 | 100.90 | 33.63 | 0.45% Center Spread | |
| | 1 | 0 | 0 | 0 | 1 | 100.00 | 33.33 | 0 to - 0.7% spread | |
| | 1 | 0 | 0 | 1 | 0 | 103.00 | 34.33 | 0.45% Center Spread | |
| | 1 | 0 | 0 | 1 | 1 | 107.00 | 35.67 | 0.45% Center Spread | |
| | 1 | 0 | 1 | 0 | 0 | 117.00 | 39.00 | 0.45% Center Spread | |
| | 1 | 0 | 1 | 0 | 1 | 120.00 | 30.00 | 0.45% Center Spread | |
| | 1 | 0 | 1 | 1 | 0 | 123.00 | 30.75 | 0.45% Center Spread | |
| | 1 | 0 | 1 | 1 | 1 | 125.00 | 31.25 | 0.45% Center Spread | |
| | 1 | 1 | 0 | 0 | 0 | 133.33 | 33.33 | 0 to - 0.7% spread | |
| | 1 | 1 | 0 | 0 | 1 | 133.90 | 33.48 | 0.45% Center Spread | |
| | 1 | 1 | 0 | 1 | 0 | 147.00 | 36.75 | 0.45% Center Spread | |
| 1 | 1 | 0 | 1 | 1 | 151.00 | 37.75 | 0.45% Center Spread | | |
| 1 | 1 | 1 | 0 | 0 | 153.00 | 38.25 | 0.45% Center Spread | | |
| 1 | 1 | 1 | 0 | 1 | 155.00 | 38.75 | 0.45% Center Spread | | |
| 1 | 1 | 1 | 1 | 0 | 160.00 | 40.00 | 0.45% Center Spread | | |
| 1 | 1 | 1 | 1 | 1 | 200.00 | 50.00 | 0.45% Center Spread | | |
| Bit 3 | 0-Frequency is selected by hardware select, latched inputs 1- Frequency is selected by Bit 2,7:4 | | | | | | | | 0 |
| Bit 1 | 0- Normal 1- Spread spectrum enable | | | | | | | | 1 |
| Bit 0 | 0- Running 1- Tristate all outputs | | | | | | | | 0 |

Note: Default at power-up will be for latched logic inputs to define frequency, as displayed by Bit 3.



Byte 1: CPU, Active/Inactive Register (1= enable, 0 = disable)

| BIT | PIN# | PWD | DESCRIPTION |
|-------|-------|-----|--|
| Bit 7 | - | X | FS2# |
| Bit 6 | 46 | 1 | CPUCLK |
| Bit 5 | - | 1 | (Reserved) |
| Bit 4 | - | X | FS3# |
| Bit 3 | 40 | 1 | SDRAM_OUT |
| Bit 2 | - | X | (SEL24_48#)# |
| Bit 1 | 43,44 | 1 | CPUCLK0 enable (both differential pair. "True" and Complimentary") |
| Bit 0 | - | 1 | (Reserved)* |

Note:

* It is recommended to drive this bit to 0.

Byte 2: PCI, Active/Inactive Register (1= enable, 0 = disable)

| BIT | PIN# | PWD | DESCRIPTION |
|-------|------|-----|-------------|
| Bit 7 | - | X | FS0# |
| Bit 6 | 7 | 1 | PCICLK_F |
| Bit 5 | - | 1 | (Reserved) |
| Bit 4 | 13 | 1 | PCICLK4 |
| Bit 3 | 12 | 1 | PCICLK3 |
| Bit 2 | 11 | 1 | PCICLK2 |
| Bit 1 | 10 | 1 | PCICLK1 |
| Bit 0 | 8 | 1 | PCICLK0 |

Byte 3: SDRAM, Active/Inactive Register (1= enable, 0 = disable)

| BIT | PIN# | PWD | DESCRIPTION |
|-------|------|-----|-------------|
| Bit 7 | - | 1 | (Reserved) |
| Bit 6 | - | 1 | (Reserved) |
| Bit 5 | 26 | 1 | 48MHz |
| Bit 4 | 25 | 1 | 24_48MHz |
| Bit 3 | 17 | 1 | SDRAM 11 |
| Bit 2 | 18 | 1 | SDRAM 10 |
| Bit 1 | 20 | 1 | SDRAM 9 |
| Bit 0 | 21 | 1 | SDRAM 8 |

Byte 4: SDRAM , Active/Inactive Register (1= enable, 0 = disable)

| BIT | PIN# | PWD | DESCRIPTION |
|-------|------|-----|-------------|
| Bit 7 | 28 | 1 | SDRAM 7 |
| Bit 6 | 29 | 1 | SDRAM 6 |
| Bit 5 | 31 | 1 | SDRAM 5 |
| Bit 4 | 32 | 1 | SDRAM 4 |
| Bit 3 | 34 | 1 | SDRAM 3 |
| Bit 2 | 35 | 1 | SDRAM 2 |
| Bit 1 | 37 | 1 | SDRAM 1 |
| Bit 0 | 38 | 1 | SDRAM 0 |

Byte 5: Peripheral , Active/Inactive Register (1= enable, 0 = disable)

| BIT | PIN# | PWD | DESCRIPTION |
|-------|------|-----|-------------|
| Bit 7 | - | 1 | (Reserved) |
| Bit 6 | - | 1 | (Reserved) |
| Bit 5 | - | 1 | (Reserved) |
| Bit 4 | - | X | Mode |
| Bit 3 | - | X | FS1# |
| Bit 2 | - | 1 | (Reserved) |
| Bit 1 | 48 | 1 | REF1 |
| Bit 0 | 2 | 1 | REF0 |

Byte 6: Peripheral , Active/Inactive Register (1= enable, 0 = disable)

| BIT | PIN# | PWD | DESCRIPTION |
|------|------|-----|-----------------|
| Bit7 | - | 0 | Reserved (Note) |
| Bit6 | - | 0 | Reserved (Note) |
| Bit5 | - | 0 | Reserved (Note) |
| Bit4 | - | 0 | Reserved (Note) |
| Bit3 | - | 0 | Reserved (Note) |
| Bit2 | - | 1 | Reserved (Note) |
| Bit1 | - | 1 | Reserved (Note) |
| Bit0 | - | 0 | Reserved (Note) |

Notes:

1. Inactive means outputs are held LOW and are disabled from switching.
2. Latched Frequency Selects (FS#) will be inverted logic load of the input frequency select pin conditions.

Note: Don't write into this register, writing into this register can cause malfunction



Byte 7: Vendor ID and Revision ID Register

| Bit | PWD | Description |
|-------|-----|-------------|
| Bit 7 | 0 | Vendor ID |
| Bit 6 | 0 | Vendor ID |
| Bit 5 | 1 | Vendor ID |
| Bit 4 | X | Revision ID |
| Bit 3 | X | Revision ID |
| Bit 2 | X | Revision ID |
| Bit 1 | X | Revision ID |
| Bit 0 | X | Revision ID |

Byte 8: Byte Count and Read Back Register

| Bit | PWD | Description |
|-------|-----|-------------|
| Bit 7 | 0 | Reserved |
| Bit 6 | 0 | Reserved |
| Bit 5 | 0 | Reserved |
| Bit 4 | 0 | Reserved |
| Bit 3 | 1 | Reserved |
| Bit 2 | 0 | Reserved |
| Bit 1 | 0 | Reserved |
| Bit 0 | 0 | Reserved |

Byte 9: Watchdog Timer Count Register

| Bit | PWD | Description |
|-------|-----|--|
| Bit 7 | 0 | The decimal representation of these 8 bits correspond to 290ms or 1ms the watchdog timer will wait before it goes to alarm mode and reset the frequency to the safe setting. Default at power up is 290ms. |
| Bit 6 | 0 | |
| Bit 5 | 0 | |
| Bit 4 | 0 | |
| Bit 3 | 0 | |
| Bit 2 | 0 | |
| Bit 1 | 0 | |
| Bit 0 | 0 | |

Byte 10: VCO Control Selection Bit & Watchdog Timer Control Register

| Bit | PWD | Description |
|-------|-----|---------------------------------|
| Bit 7 | 0 | 0=Hw/B0 freq / 1=B11 & 12 freq |
| Bit 6 | 0 | WD Enable 0=disable / 1=enable |
| Bit 5 | 0 | WD Status 0=normal / 1=alarm |
| Bit 4 | 1 | WD Safe Frequency, Byte 0 bit 2 |
| Bit 3 | 0 | WD Safe Frequency, FS3 |
| Bit 2 | 0 | WD Safe Frequency, FS2 |
| Bit 1 | 0 | WD Safe Frequency, FS1 |
| Bit 0 | 0 | WD Safe Frequency, FS0 |

Note: FS values in bit [0:4] will correspond to Byte 0 FS values. Default safe frequency is same as 00000 entry in byte0.

Byte 11: VCO Frequency Control Register

| Bit | PWD | Description |
|-------|-----|------------------|
| Bit 7 | X | VCO Divider Bit0 |
| Bit 6 | X | REF Divider Bit6 |
| Bit 5 | X | REF Divider Bit5 |
| Bit 4 | X | REF Divider Bit4 |
| Bit 3 | X | REF Divider Bit3 |
| Bit 2 | X | REF Divider Bit2 |
| Bit 1 | X | REF Divider Bit1 |
| Bit 0 | X | REF Divider Bit0 |

Note: The decimal representation of these 7 bits (Byte 11 [6:0]) + 2 is equal to the REF divider value .

Notes:

1. PWD = Power on Default

Byte 12: VCO Frequency Control Register

| Bit | PWD | Description |
|-------|-----|------------------|
| Bit 7 | X | VCO Divider Bit8 |
| Bit 6 | X | VCO Divider Bit7 |
| Bit 5 | X | VCO Divider Bit6 |
| Bit 4 | X | VCO Divider Bit5 |
| Bit 3 | X | VCO Divider Bit4 |
| Bit 2 | X | VCO Divider Bit3 |
| Bit 1 | X | VCO Divider Bit2 |
| Bit 0 | X | VCO Divider Bit1 |

Note: The decimal representation of these 9 bits (Byte 12 bit [7:0] & Byte 11 bit [7]) + 8 is equal to the VCO divider value. For example if VCO divider value of 36 is desired, user need to program $36 - 8 = 28$, namely, 0, 00011100 into byte 12 bit & byte 11 bit 7.



Byte 13: Spread Sectrum Control Register

| Bit | PWD | Description |
|-------|-----|----------------------|
| Bit 7 | X | Spread Spectrum Bit7 |
| Bit 6 | X | Spread Spectrum Bit6 |
| Bit 5 | X | Spread Spectrum Bit5 |
| Bit 4 | X | Spread Spectrum Bit4 |
| Bit 3 | X | Spread Spectrum Bit3 |
| Bit 2 | X | Spread Spectrum Bit2 |
| Bit 1 | X | Spread Spectrum Bit1 |
| Bit 0 | X | Spread Spectrum Bit0 |

Note: Please utilize software utility provided by ICS Application Engineering to configure spread spectrum. Incorrect spread percentage may cause system failure.

Byte 14: Spread Sectrum Control Register

| Bit | PWD | Description |
|-------|-----|-----------------------|
| Bit 7 | X | Reserved |
| Bit 6 | X | Reserved |
| Bit 5 | X | Reserved |
| Bit 4 | X | Spread Spectrum Bit12 |
| Bit 3 | X | Spread Spectrum Bit11 |
| Bit 2 | X | Spread Spectrum Bit10 |
| Bit 1 | X | Spread Spectrum Bi 9 |
| Bit 0 | X | Spread Spectrum Bit8 |

Note: Please utilize software utility provided by ICS Application Engineering to configure spread spectrum. Incorrect spread percentage may cause system failure.

Byte 15: Output Skew Control

| Bit | PWD | Description |
|-------|-----|---------------------------|
| Bit 7 | 0 | PCI_F Skew Control |
| Bit 6 | 0 | |
| Bit 5 | 0 | |
| Bit 4 | 0 | |
| Bit 3 | 0 | PCICLK [0:4] Skew Control |
| Bit 2 | 0 | |
| Bit 1 | 0 | |
| Bit 0 | 0 | |

Byte 16: Output Skew Control

| Bit | PWD | Description |
|-------|-----|-------------|
| Bit 7 | X | Reserved |
| Bit 6 | X | Reserved |
| Bit 5 | X | Reserved |
| Bit 4 | X | Reserved |
| Bit 3 | X | Reserved |
| Bit 2 | X | Reserved |
| Bit 1 | X | Reserved |
| Bit 0 | X | Reserved |

Byte 17: Output Rise/Fall Time Select Register

| Bit | PWD | Description |
|-------|-----|--------------------------------|
| Bit 7 | 1 | CPUCLKT0 |
| Bit 6 | 1 | CPUCLKC0 |
| Bit 5 | X | Reserved |
| Bit 4 | 0 | CPUCLK |
| Bit 3 | 1 | SDRAM_OUT: Slew Rate Control |
| Bit 2 | 0 | |
| Bit 1 | 1 | SDRAM [0:11] Slew Rate Control |
| Bit 0 | 0 | |

Byte 18: Output Rise/Fall Time Select Register

| Bit | PWD | Description |
|-------|-----|------------------------------|
| Bit 7 | 1 | PCI [0:4]: Slew Rate Control |
| Bit 6 | 0 | |
| Bit 5 | 1 | PCI_F Slew Rate Control |
| Bit 4 | 0 | |
| Bit 3 | 1 | 48MHz: Slew Rate Control |
| Bit 2 | 0 | |
| Bit 1 | 1 | 24MHz: Slew Rate Control |
| Bit 0 | 0 | |

Notes:

1. PWD = Power on Default
2. The power on default for byte 13-20 depends on the hardware (latch inputs FS[0:4]) or I²C (Byte 0 bit [1:7]) setting. Be sure to read back and re-write the values of these 8 registers when VCO frequency change is desired for the first pass.
3. If Byte 8 bit 7 is driven to "1" meaning programming is intended, Byte 21-24 will lose their default power up value.

**Byte 19: Reserved Register**

| Bit | PWD | Description |
|-------|-----|-------------|
| Bit 7 | X | Reserved |
| Bit 6 | X | Reserved |
| Bit 5 | X | Reserved |
| Bit 4 | X | Reserved |
| Bit 3 | X | Reserved |
| Bit 2 | X | Reserved |
| Bit 1 | X | Reserved |
| Bit 0 | X | Reserved |

Byte 20: Reserved Register

| Bit | PWD | Description |
|-------|-----|-------------|
| Bit 7 | X | Reserved |
| Bit 6 | X | Reserved |
| Bit 5 | X | Reserved |
| Bit 4 | X | Reserved |
| Bit 3 | X | Reserved |
| Bit 2 | X | Reserved |
| Bit 1 | X | Reserved |
| Bit 0 | X | Reserved |

Note: Byte 19 and 20 are reserved registers, these are unused registers writing to these registers will not affect device performance or functionality.

VCO Programming Constrains

VCO Frequency 150MHz to 500MHz

VCO Divider Range 8 to 519

REF Divider Range 2 to 129

Phase Detector Stability 0.3536 to 1.4142

Useful Formula

VCO Frequency = 14.31818 x VCO/REF divider value

Phase Detector Stabiliy = 14.038 x (VCO divider value)^{-0.5}

To program the VCO frequency for over-clocking.

0. Before trying to program our clock manually, consider using ICS provided software utilities for easy programming.
1. Select the frequency you want to over-clock from with the desire gear ratio (i.e. CPU:SDRAM:3V66:PCI ratio) by writing to byte 0, or using initial hardware power up frequency.
2. Write 0001, 1001 (19_H) to byte 8 for readback of 21 bytes (byte 0-20).
3. Read back byte 11-20 and copy values in these registers.
4. Re-initialize the write sequence.
5. Write a '1' to byte 9 bit 7 and write to byte 11 & 12 with the desired VCO & REF divider values.
6. Write to byte 13 to 20 with the values you copy from step 3. This maintains the output spread, skew and slew rate.
7. The above procedure is only needed when changing the VCO for the 1st pass. If VCO frequency needed to be changed again, user only needs to write to byte 11 and 12 unless the system is to reboot.

Note:

1. User needs to ensure step 3 & 7 is carried out. Systems with wrong spread percentage and/or group to group skew relation programmed into bytes 13-16 could be unstable. Step 3 & 7 assure the correct spread and skew relationship.
2. If VCO, REF divider values or phase detector stability are out of range, the device may fail to function correctly.
3. Follow min and max VCO frequency range provided. Internal PLL could be unstable if VCO frequency is too fast or too slow. Use 14.31818MHz x VCO/REF divider values to calculate the VCO frequency (MHz).
4. ICS recommends users, to utilize the software utility provided by ICS Application Engineering to program the VCO frequency.
5. Spread percent needs to be calculated based on VCO frequency, spread modulation frequency and spread amount desired. See Application note for software support.



Absolute Maximum Ratings

Supply Voltage 5.5V
 Logic Inputs GND –0.5 V to $V_{DD} + 0.5$ V
 Ambient Operating Temperature 0°C to +70°C
 Storage Temperature –65°C to +150°C

Stresses above those listed under *Absolute Maximum Ratings* may cause permanent damage to the device. These ratings are stress specifications only and functional operation of the device at these or any other conditions above those listed in the operational sections of the specifications is not implied. Exposure to absolute maximum rating conditions for extended periods may affect product reliability.

Electrical Characteristics - Input/Supply/Common Output Parameters

TA = 0 - 70°C; Supply Voltage VDD = 3.3 V +/-5% (unless otherwise stated)

| PARAMETER | SYMBOL | CONDITIONS | MIN | TYP | MAX | UNITS |
|--------------------------------|------------------|--|----------------|--------|----------------|-------|
| Input High Voltage | V_{IH} | | 2 | | $V_{DD} + 0.3$ | V |
| Input Low Voltage | V_{IL} | | $V_{SS} - 0.3$ | | 0.8 | V |
| Input High Current | I_{IH} | $V_{IN} = V_{DD}$ | | | 5 | A |
| Input Low Current | I_{IL1} | $V_{IN}=0$ V; Inputs with no pull-up resistors | -5 | | | µA |
| Input Low Current | I_{IL2} | $V_{IN}=0$ V; Inputs with pull-up resistors | -200 | | | µA |
| Operating Supply Current | $I_{DD3.3OP66}$ | $C_L=0$ pF; Select@ 66MHz | | 87 | 180 | |
| | $I_{DD3.3OP100}$ | $C_L=0$ pF; Select@ 100MHz | | 91 | | mA |
| | $I_{DD3.3OP133}$ | $C_L=0$ pF; Select@ 133MHz | | 104 | | |
| Power Down | PD | | | 3.25 | 5 | mA |
| Input frequency | F_i | $V_{DD} = 3.3$ V; | 12 | 14.318 | 16 | MHz |
| Input Capacitance ¹ | C_{IN} | Logic Inputs | | | 5 | pF |
| | C_{INX} | X1 & X2 pins | 27 | | 45 | pF |
| Clk Stabilization ¹ | T_{STAB} | From $V_{DD}= 3.3$ V to 1% target Freq. | | | 3 | ms |
| Skew ¹ | $t_{CPU-PCI}$ | $V_T = 50\%$ to 1.5V | 1 | 2.8 | 4 | ns |

¹ Guaranteed by design, not 100% tested in production.



Electrical Characteristics - REF(0:1)

TA = 0 - 70°C; VDD = 3.3 V +/-5%; CL = 20 pF (unless otherwise stated)

| PARAMETER | SYMBOL | CONDITIONS | MIN | TYP | MAX | UNITS |
|-------------------------------------|-------------------------|--|-----|------|------|-------|
| Output High Voltage | V_{OH5} | $I_{OH} = -12 \text{ mA}$ | 2.4 | | | V |
| Output Low Voltage | V_{OL5} | $I_{OL} = 9 \text{ mA}$ | | | 0.4 | V |
| Output High Current | I_{OH5} | $V_{OH} = 2.0 \text{ V}$ | | | -22 | mA |
| Output Low Current | I_{OL5} | $V_{OL} = 0.8 \text{ V}$ | 16 | | | mA |
| Rise Time ¹ | t_{r5} | $V_{OL} = 0.4 \text{ V}, V_{OH} = 2.4 \text{ V}$ | | 1.2 | 4 | ns |
| Fall Time ¹ | t_{f5} | $V_{OH} = 2.4 \text{ V}, V_{OL} = 0.4 \text{ V}$ | | 1.5 | 4 | ns |
| Duty Cycle ¹ | d_{f5} | $V_T = 1.5 \text{ V}$ | 45 | 54.1 | 55 | % |
| Jitter, Cycle-to-cycle ¹ | $t_{j\text{cyc-cyc}2B}$ | $V_T = 1.5 \text{ V}$ | | 1007 | 1100 | ps |

¹Guaranteed by design, not 100% tested in production.

Electrical Characteristics - CPUCLK (Open Drain)

TA = 0 - 70°C; VDD = 3.3 V +/-5%; CL = 20 pF (unless otherwise stated)

| PARAMETER | SYMBOL | CONDITIONS | MIN | TYP | MAX | UNITS |
|--------------------------------------|-------------------------|--|------|-------------|------|-------|
| Output Impedance | Z_0 | $V_O = V_X$ | | | | |
| Output High Voltage | V_{OH2B} | Termination to Vpull-up(external) | 1 | | 1.2 | V |
| Output Low Voltage | V_{OL2B} | Termination to Vpull-up(external) | | | 0.4 | V |
| Output Low Current | I_{OL2B} | $V_{OL} = 0.3 \text{ V}$ | 18 | | | mA |
| Rise Time ¹ | t_{r2B} | $V_{OL} = 0.3 \text{ V}, V_{OH} = 1.2 \text{ V}$ | | | 0.9 | ns |
| Fall Time ¹ | t_{f2B} | $V_{OH} = 1.2 \text{ V}, V_{OL} = 0.3 \text{ V}$ | | | 0.9 | ns |
| Differential voltage-AC ¹ | V_{DIF} | Note 2 | 0.4 | Vpu +0.6 | | V |
| Differential voltage-DC ¹ | V_{DIF} | Note 2 | 0.2 | Vpu +0.6 | | V |
| Differential Crossover | V_X | Note 3 | 550 | | 1100 | mV |
| Duty Cycle ¹ | d_{f2B} | $V_T = 50\%$ | 45 | 51 | 55 | % |
| Skew ¹ | t_{sk2B} | $V_T = 50\%$ | | 163 | 200 | ps |
| Jitter, Cycle-to-cycle ¹ | $t_{j\text{cyc-cyc}2B}$ | $V_T = V_X$ | | 201 | 250 | ps |
| Jitter, Absolute ¹ | $t_{j\text{abs}2B}$ | $V_T = 50\%$ | -250 | | 250 | ps |

1 - Guaranteed by design, not 100% tested in production.

2 - VDIF specifies the minimum input differential voltage (VTR-VCP) required for switching, where VTR is the "true" input level and VCP is the "complement" input level

3 - Vpullup(external)=1.5V, Min=Vpullup(External)/2-150mV, Max=Vpullup(external)/2+150mV



Electrical Characteristics - CPUCLK (Push-Pull)

TA = 0 - 70°C; VDDL = 2.5 V +/-5%; CL = 10-20 pF (unless otherwise stated)

| PARAMETER | SYMBOL | CONDITIONS | MIN | TYP | MAX | UNITS |
|-------------------------------------|------------------------------------|--|-----|------|-----|-------|
| Output Impedance ¹ | R _{DSP2B} | V _O = V _{DD} *0.5 | 10 | | 20 | Ω |
| Output Impedance ¹ | R _{DSN2B} | V _O = V _{DD} *0.5 | 10 | | 20 | Ω |
| Output High Voltage | V _{OH2B} | I _{OH} = -12mA | 2 | | | V |
| Output Low Voltage | V _{OL2B} | I _{OL} = 12mA | | | 0.4 | V |
| Output High Current | I _{OH2B} | V _{OH} = 1.7 V | | | -19 | mA |
| Output Low Current | I _{OL2B} | V _{OL} = 0.7 V | 19 | | | mA |
| Rise Time ¹ | t _{r2B} | V _{OL} = 0.4 V, V _{OH} = 2.0 V | 0.4 | 1.2 | 1.6 | ns |
| Fall Time ¹ | t _{f2B} | V _{OH} = 2.0 V, V _{OL} = 0.4 V | 0.4 | 1.1 | 1.6 | ns |
| Duty Cycle ¹ | d _{i2B} | V _T = 1.25V | 45 | 46.9 | 55 | % |
| Skew Window | t _{sk2B} | V _T = 1.25V | | 142 | 375 | ps |
| Jitter, Cycle-to-cycle ¹ | t _{j_{cyc-cyc2B}} | V _T = 1.25V | | 177 | 250 | ps |

¹ - Guaranteed by design, not 100% tested in production.

Electrical Characteristics - PCICLK_F, PCICLK(0:4)

TA = 0 - 70°C; VDD = 3.3 V +/-5%; CL = 20 pF (unless otherwise stated)

| PARAMETER | SYMBOL | CONDITIONS | MIN | TYP | MAX | UNITS |
|-------------------------------------|------------------------------------|--|-----|------|-----|-------|
| Output High Voltage | V _{OH5} | I _{OH} = -11 mA | 2.6 | | | V |
| Output Low Voltage | V _{OL5} | I _{OL} = 9.4 mA | | | 0.4 | V |
| Output High Current | I _{OH5} | V _{OH} = 2.0 V | | | -16 | mA |
| Output Low Current | I _{OL5} | V _{OL} = 0.8 V | 19 | | | mA |
| Rise Time ¹ | t _{r5} | V _{OL} = 0.4 V, V _{OH} = 2.4 V | | 1.8 | 2.3 | ns |
| Fall Time ¹ | t _{f5} | V _{OH} = 2.4 V, V _{OL} = 0.4 V | | 2 | 2.3 | ns |
| Duty Cycle ¹ | d _{t5} | V _T = 1.5V | 45 | 51.7 | 55 | % |
| Skew ¹ (window) | T _{sk} ¹ | V _T = 1.5V | | 108 | 500 | ps |
| Jitter, Cycle-to-cycle ¹ | t _{j_{cyc-cyc2B}} | V _T = 1.5V | | 223 | 500 | ps |

¹Guaranteed by design, not 100% tested in production.



Electrical Characteristics - SDRAM

TA = 0 - 70°C; VDD = 3.3 V +/-5%; CL = 20-30 pF (unless otherwise stated)

| PARAMETER | SYMBOL | CONDITIONS | MIN | TYP | MAX | UNITS |
|-------------------------------------|-----------------------|--|-----|------|-----|-------|
| Output Impedance ¹ | R _{DSP3B} | V _O = V _{DD} *0.5 | 10 | | 24 | Ω |
| Output High Voltage | V _{OH3} | I _{OH} = -18mA | 2.4 | | | V |
| Output Low Voltage | V _{OL3} | I _{OL} = 9.4mA | | | 0.4 | V |
| Output High Current | I _{OH3} | V _{OH} = 2.0 V | | | -46 | mA |
| Output Low Current | I _{OL3} | V _{OL} = 0.8 V | 19 | | | mA |
| Rise Time ¹ | t _{r3} | V _{OL} = 0.4 V, V _{OH} = 2.4 V | | 0.8 | 1.6 | ns |
| Fall Time ¹ | t _{f3} | V _{OH} = 2.4 V, V _{OL} = 0.4 V | | 0.8 | 1.6 | ns |
| Duty Cycle ¹ | d _{t3} | V _T = 1.5V | 45 | 48.5 | 55 | % |
| Skew Window ^(0:11) | t _{sk3} | V _T = 1.5V | | 192 | 250 | pS |
| Skew Window ^(0:12) | t _{sk3} | V _T = 1.5V | | 290 | 500 | pS |
| Jitter, Cycle-to-cycle ¹ | t _{jyc-cyc3} | V _T = 1.5V | | 173 | 250 | pS |

¹ - Guaranteed by design, not 100% tested in production.

Electrical Characteristics - 24MHz,48MHz

TA = 0 - 70°C; VDD = 3.3 V +/-5%; CL = 20 pF (unless otherwise stated)

| PARAMETER | SYMBOL | CONDITIONS | MIN | TYP | MAX | UNITS |
|--------------------------------|------------------------|--|-----|------|-----|-------|
| Output High Voltage | V _{OH5} | I _{OH} = -16 mA | 2.4 | | | V |
| Output Low Voltage | V _{OL5} | I _{OL} = 9 mA | | | 0.4 | V |
| Output High Current | I _{OH5} | V _{OH} = 2.0 V | | | -22 | mA |
| Output Low Current | I _{OL5} | V _{OL} = 0.8 V | 16 | | | mA |
| Rise Time ¹ | t _{r5} | V _{OL} = 0.4 V, V _{OH} = 2.4 V | | 1.1 | 4 | ns |
| Fall Time ¹ | t _{f5} | V _{OH} = 2.4 V, V _{OL} = 0.4 V | | 1.28 | 4 | ns |
| Duty Cycle ¹ | d _{t5} | V _T = 1.5V | 45 | 52 | 55 | % |
| Jitter, One Sigma ¹ | t _{j1s5} | V _T = 1.5V | | | 0.5 | ns |
| Jitter, Cycle to cycle | t _{jyc_cyc2B} | V _T = 1.5V | | 177 | 500 | ps |

¹Guaranteed by design, not 100% tested in production.



Shared Pin Operation - Input/Output Pins

The I/O pins designated by (input/output) on the ICS94236 serve as dual signal functions to the device. During initial power-up, they act as input pins. The logic level (voltage) that is present on these pins at this time is read and stored into a 5-bit internal data latch. At the end of Power-On reset, (see AC characteristics for timing values), the device changes the mode of operations for these pins to an output function. In this mode the pins produce the specified buffered clocks to external loads.

To program (load) the internal configuration register for these pins, a resistor is connected to either the VDD (logic 1) power supply or the GND (logic 0) voltage potential. A 10 Kilohm (10K) resistor is used to provide both the solid CMOS programming voltage needed during the power-up programming period and to provide an insignificant load on the output clock during the subsequent operating period.

Figure 1 shows a means of implementing this function when a switch or 2 pin header is used. With no jumper is installed the pin will be pulled high. With the jumper in place the pin will be pulled low. If programmability is not necessary, than only a single resistor is necessary. The programming resistors should be located close to the series termination resistor to minimize the current loop area. It is more important to locate the series termination resistor close to the driver than the programming resistor.

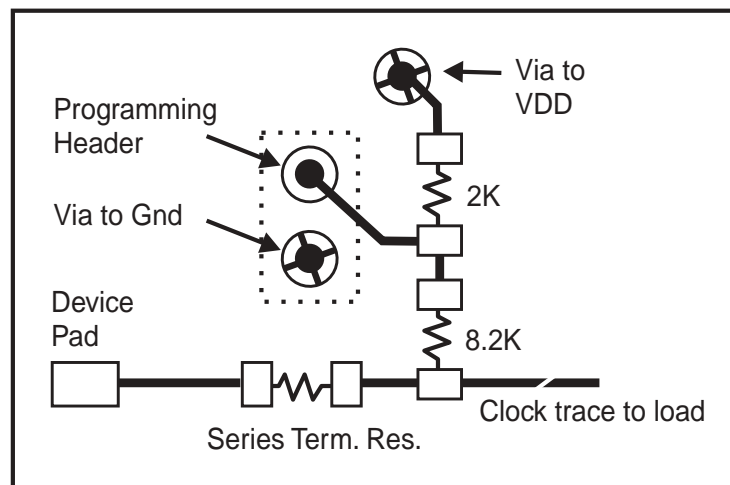


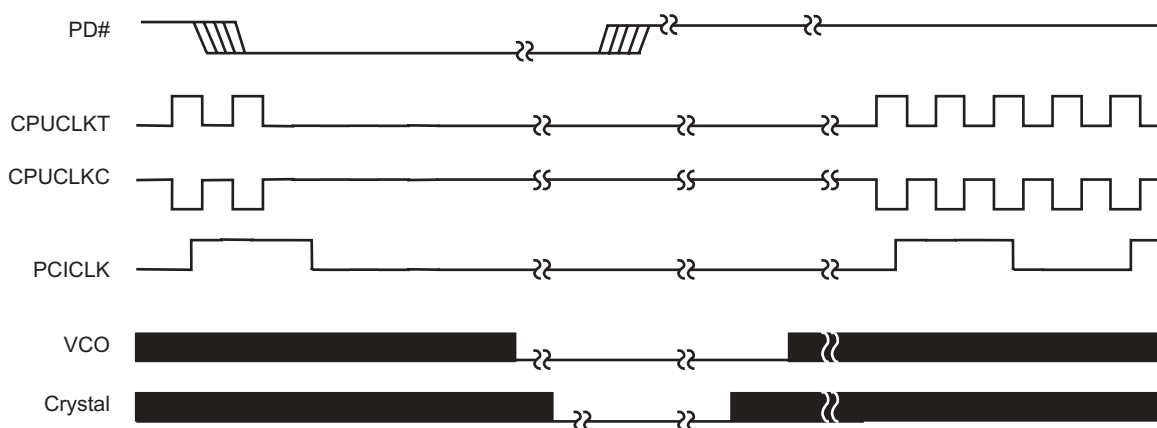
Fig. 1



PD# Timing Diagram

The power down selection is used to put the part into a very low power state without turning off the power to the part. PD# is an asynchronous active low input. This signal needs to be synchronized internal to the device prior to powering down the clock synthesizer.

Internal clocks are not running after the device is put in power down. When PD# is active low all clocks need to be driven to a low value and held prior to turning off the VCOs and crystal. The power up latency needs to be less than 3 mS. The power down latency should be as short as possible but conforming to the sequence requirements shown below. CPU_STOP# is considered to be a don't care during the power down operations. The REF and 48MHz clocks are expected to be stopped in the LOW state as soon as possible. Due to the state of the internal logic, stopping and holding the REF clock outputs in the LOW state may require more than one clock cycle to complete.



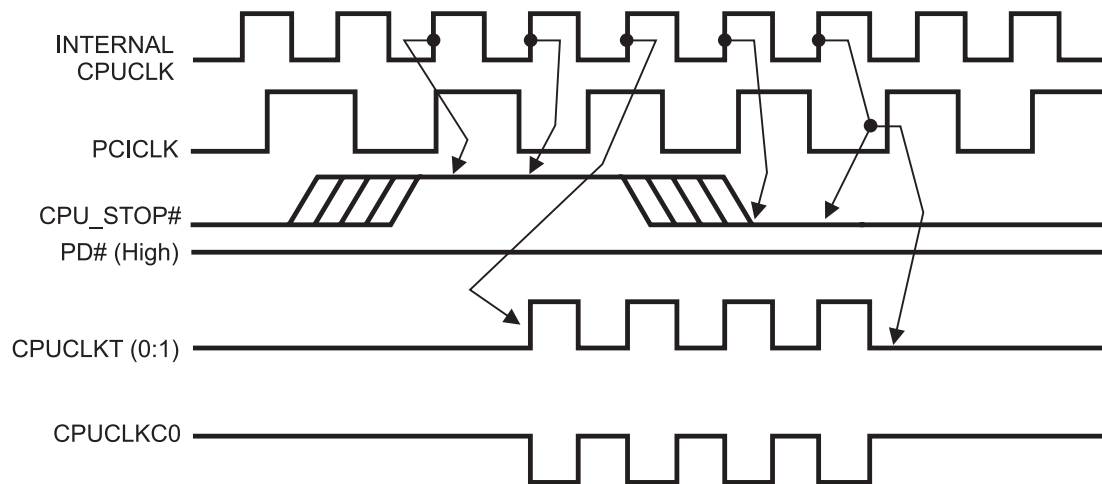
Notes:

1. All timing is referenced to the Internal CPUCLK (defined as inside the ICS94236 device).
2. As shown, the outputs Stop Low on the next falling edge after PD# goes low.
3. PD# is an asynchronous input and metastable conditions may exist. This signal is synchronized inside this part.
4. The shaded sections on the VCO and the Crystal signals indicate an active clock.
5. Diagrams shown with respect to 133MHz. Similar operation when CPU is 100MHz.



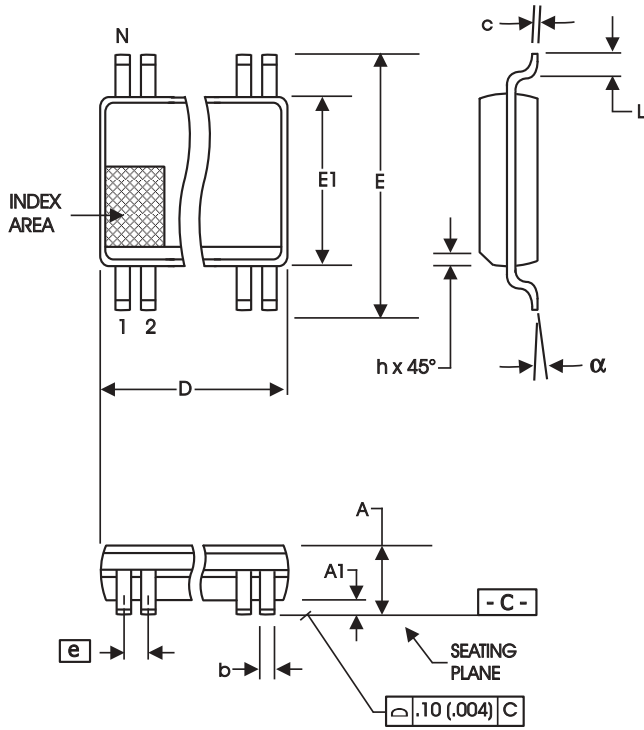
CPU_STOP# Timing Diagram

CPU_STOP# is an asynchronous input to the clock synthesizer. It is used to turn off the CPU clocks for low power operation. CPU_STOP# is synchronized by the **ICS94236**. The minimum that the CPU clock is enabled (CPU_STOP# high pulse) is 100 CPU clocks. All other clocks will continue to run while the CPU clocks are disabled. The CPU clocks will always be stopped in a low state and start in such a manner that guarantees the high pulse width is a full pulse. CPU clock on latency is less than 4 CPU clocks and CPU clock off latency is less than 4 CPU clocks.



Notes:

1. All timing is referenced to the internal CPU clock.
2. CPU_STOP# is an asynchronous input and metastable conditions may exist. This signal is synchronized to the CPU clocks inside the ICS94236.
3. All other clocks continue to run undisturbed.



| SYMBOL | In Millimeters | | In Inches | |
|--------|-------------------|--------|-------------------|-------|
| | COMMON DIMENSIONS | | COMMON DIMENSIONS | |
| | MIN | MAX | MIN | MAX |
| A | 2.413 | 2.794 | .095 | .110 |
| A1 | 0.203 | 0.406 | .008 | .016 |
| b | 0.203 | 0.343 | .008 | .0135 |
| c | 0.127 | 0.254 | .005 | .010 |
| D | SEE VARIATIONS | | SEE VARIATIONS | |
| E | 10.033 | 10.668 | .395 | .420 |
| E1 | 7.391 | 7.595 | .291 | .299 |
| e | 0.635 BASIC | | 0.025 BASIC | |
| h | 0.381 | 0.635 | .015 | .025 |
| L | 0.508 | 1.016 | .020 | .040 |
| N | SEE VARIATIONS | | SEE VARIATIONS | |
| alpha | 0° | 8° | 0° | 8° |

VARIATIONS

| N | D mm. | | D (inch) | |
|----|--------|--------|----------|------|
| | MIN | MAX | MIN | MAX |
| 48 | 15.748 | 16.002 | .620 | .630 |

JEDEC MO-118 6/1/00
 DOC# 10-0034 REV B

Ordering Information

ICS94236yF-T

Example:

ICS XXXX y F -T

