

M SERIES 3 WALL SHROUDED HEADER

Features

.028 [0.71] round solder tail with selective gold plating
Conforms to MIL-C-83503/21B

Specifications

Environmental
Temperature Range: -55°C to +120°C

Mechanical

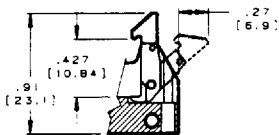
Insulator Material:
Glass filled polyester, gray, UL94V-0
Contact Material:
Phosphor Bronze
Contact Plating:
Standard
Contact Area: 30µ IN gold
Tail Area: 150µ IN tin/lead
Optional
Contact Area: 15µ IN gold
Tail Area: 150µ IN tin/lead

Electrical

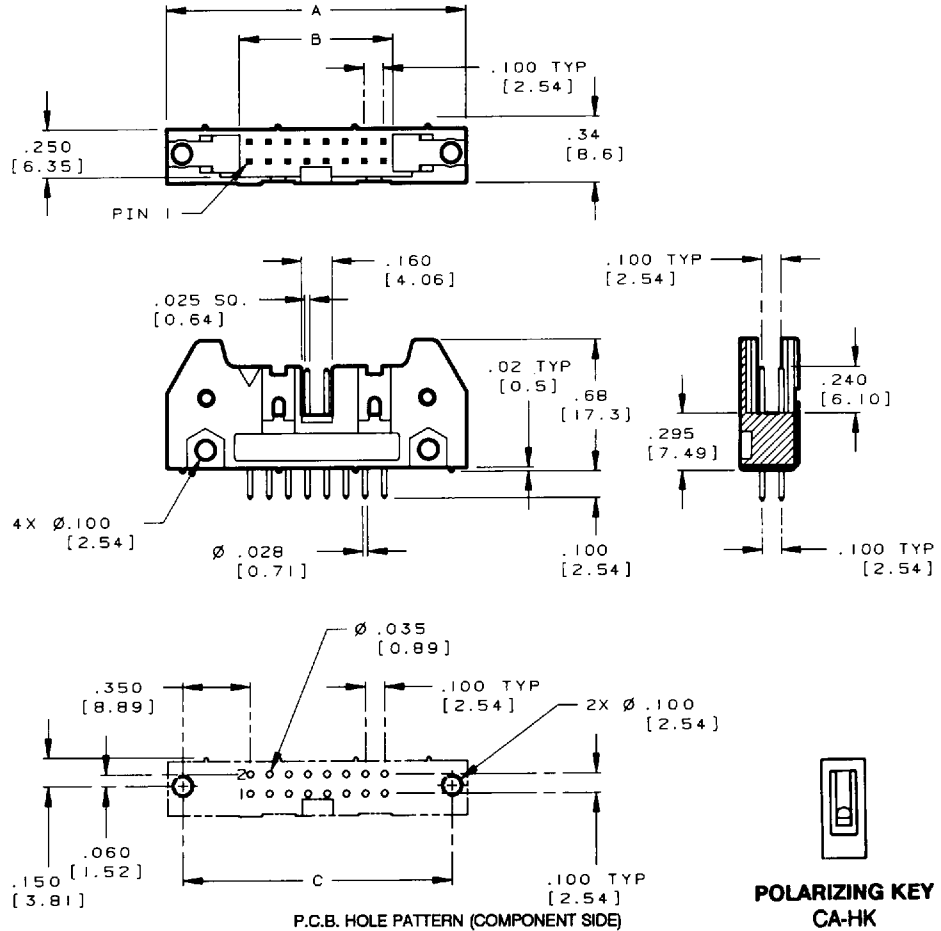
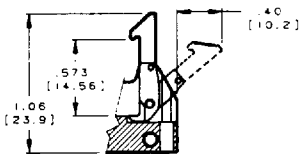
Current Rating:
1 AMP
Dielectric Withstanding Voltage:
500 Vrms
Insulation Resistance:
> 1000 Megohms

Mating CA Product:
IDS2, FID and IDS

Short Latch Ejector
for use with IDS2 and FID without strain relief



Long Latch Ejector
for use with IDS2, FID and IDS with strain relief



No. of Positions	Dimensions			Plating	Part Numbers		
	A	B	C		no latch	short latch	long latch
* 10	1.26 [32.0]	.700 [17.78]	1.100 [27.94]	30µ IN sel gold 15µ IN sel gold	CA-10H3M-1F CA-10H3M-1C	CA-10H3M-1F-S CA-10H3M-1C-S	CA-10H3M-1F-SR CA-10H3M-1C-SR
10	1.26 [32.0]	.700 [17.78]	1.100 [27.94]	30µ IN sel gold 15µ IN sel gold	CA-10H3M-1F-SPT CA-10H3M-1C-SPT	CA-10H3M-1F-SPT-S CA-10H3M-1C-SPT-S	CA-10H3M-1F-SPT-SR CA-10H3M-1C-SPT-SR
14	1.46 [37.1]	.900 [22.86]	1.300 [33.02]	30µ IN sel gold 15µ IN sel gold	CA-14H3M-1F CA-14H3M-1C	CA-14H3M-1F-S CA-14H3M-1C-S	CA-14H3M-1F-SR CA-14H3M-1C-SR
16	1.56 [39.6]	1.000 [25.40]	1.400 [35.56]	30µ IN sel gold 15µ IN sel gold	CA-16H3M-1F CA-16H3M-1C	CA-16H3M-1F-S CA-16H3M-1C-S	CA-16H3M-1F-SR CA-16H3M-1C-SR
20	1.76 [44.7]	1.200 [30.48]	1.600 [40.64]	30µ IN sel gold 15µ IN sel gold	CA-20H3M-1F CA-20H3M-1C	CA-20H3M-1F-S CA-20H3M-1C-S	CA-20H3M-1F-SR CA-20H3M-1C-SR
26	2.06 [52.3]	1.500 [38.10]	1.900 [48.26]	30µ IN sel gold 15µ IN sel gold	CA-26H3M-1F CA-26H3M-1C	CA-26H3M-1F-S CA-26H3M-1C-S	CA-26H3M-1F-SR CA-26H3M-1C-SR
34	2.46 [62.5]	1.900 [48.26]	2.300 [58.42]	30µ IN sel gold 15µ IN sel gold	CA-34H3M-1F CA-34H3M-1C	CA-34H3M-1F-S CA-34H3M-1C-S	CA-34H3M-1F-SR CA-34H3M-1C-SR
40	2.76 [70.1]	2.200 [55.88]	2.600 [66.04]	30µ IN sel gold 15µ IN sel gold	CA-40H3M-1F CA-40H3M-1C	CA-40H3M-1F-S CA-40H3M-1C-S	CA-40H3M-1F-SR CA-40H3M-1C-SR
50	3.26 [82.8]	2.700 [68.58]	3.100 [78.74]	30µ IN sel gold 15µ IN sel gold	CA-50H3M-1F CA-50H3M-1C	CA-50H3M-1F-S CA-50H3M-1C-S	CA-50H3M-1F-SR CA-50H3M-1C-SR
60	3.76 [95.5]	3.200 [81.28]	3.600 [91.44]	30µ IN sel gold 15µ IN sel gold	CA-60H3M-1F CA-60H3M-1C	CA-60H3M-1F-S CA-60H3M-1C-S	CA-60H3M-1F-SR CA-60H3M-1C-SR

* No Polarizing Slot



E95981

LR65050