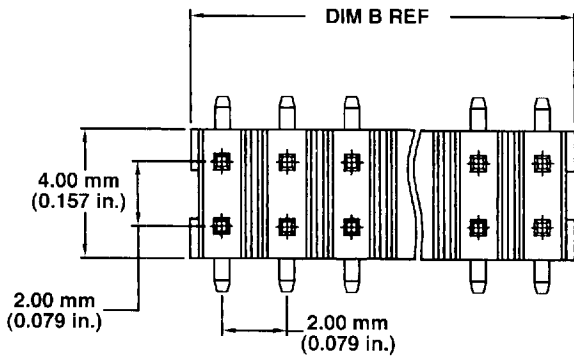
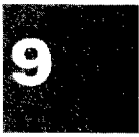
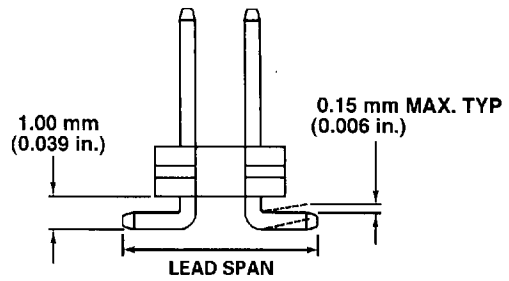
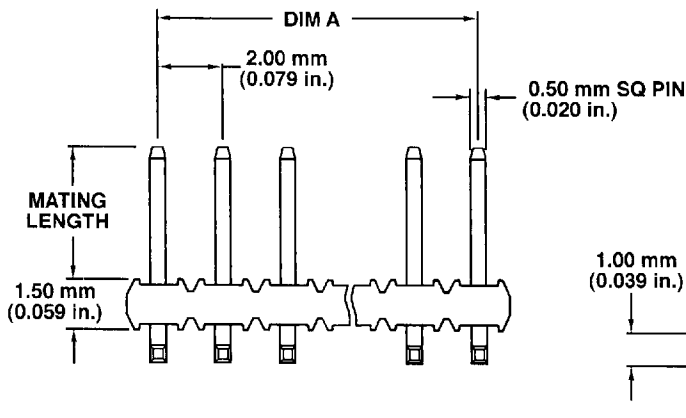


Description

Vertical Surface-Mount Header



SEE PRODUCT DRAWING FOR
RECOMMENDED PAD LAYOUT.



Ordering Data

Headers

Base number specifies configuration, plating type, solder tail length, and housing material.

Dash number specifies plating option (X) and number of positions (YY).



Add suffix "T" to dash number for tube packaging
Add suffix "TR" to dash number for tape-and-reel packaging

| Base Number | Plating Type | Mating Pin Length | | Lead Span | | Housing Material | Color |
|-------------|--------------|-------------------|-------|-----------|-------|------------------|-------|
| | | mm | in. | mm | in. | | |
| 94267 | full | 2.00 | 0.079 | 6.50 | 0.256 | Glass-filled PCT | Black |
| 94270 | full | 4.00 | 0.157 | 6.00 | 0.236 | Glass-filled PCT | Black |
| 94262 | duplex | 4.00 | 0.157 | 6.00 | 0.236 | Glass-filled PCT | Black |

| Plating Options for Fully-Plated Pins | |
|---------------------------------------|--------------------------------------|
| Dash No. (X) | Plating |
| 0 | 0.20 μ m (8 μ in.) min gold |
| 1 | 0.76 μ m (30 μ in.) min gold |
| 5 | 0.38 μ m (15 μ in.) min GXT™ |

| Plating Options for Duplex-Plated Headers | |
|---|--------------------------------------|
| Dash No. (X) | Plating |
| 3 | 0.38 μ m (15 μ in.) min gold |
| 5 | 0.38 μ m (15 μ in.) min GXT™ |
| 6 | 0.76 μ m (30 μ in.) min GXT™ |

9005411 0002345 T10

Unshrouded Headers
2.00 x 2.00 mm (0.079 x 0.079 in.)

Ordering Data (cont'd)
Vertical Surface-Mount Header

| No. of Positions | Dash Number | Dash Number | | | |
|------------------|-------------|-------------|-------|-------------|-------|
| | | Dimension A | | Dimension B | |
| | | mm | in. | mm | in. |
| 2 x 2 | X04 | 2.00 | 0.079 | 4.00 | 0.157 |
| 2 x 3 | X06 | 4.00 | 0.157 | 6.00 | 0.236 |
| 2 x 4 | X08 | 6.00 | 0.236 | 8.00 | 0.315 |
| 2 x 5 | X10 | 8.00 | 0.315 | 10.00 | 0.394 |
| 2 x 6 | X12 | 10.00 | 0.394 | 12.00 | 0.472 |
| 2 x 7 | X14 | 12.00 | 0.472 | 14.00 | 0.551 |
| 2 x 8 | X16 | 14.00 | 0.551 | 16.00 | 0.630 |
| 2 x 9 | X18 | 16.00 | 0.630 | 18.00 | 0.709 |
| 2 x 10 | X20 | 18.00 | 0.709 | 20.00 | 0.787 |
| 2 x 11 | X22 | 20.00 | 0.787 | 22.00 | 0.866 |
| 2 x 12 | X24 | 22.00 | 0.866 | 24.00 | 0.945 |
| 2 x 13 | X26 | 24.00 | 0.945 | 26.00 | 1.024 |
| 2 x 14 | X28 | 26.00 | 1.024 | 28.00 | 1.102 |
| 2 x 15 | X30 | 28.00 | 1.102 | 30.00 | 1.181 |
| 2 x 16 | X32 | 30.00 | 1.181 | 32.00 | 1.260 |
| 2 x 17 | X34 | 32.00 | 1.260 | 34.00 | 1.339 |
| 2 x 18 | X36 | 34.00 | 1.339 | 36.00 | 1.417 |
| 2 x 19 | X38 | 36.00 | 1.417 | 38.00 | 1.496 |
| 2 x 20 | X40 | 38.00 | 1.496 | 40.00 | 1.575 |
| 2 x 21 | X42 | 40.00 | 1.575 | 42.00 | 1.654 |
| 2 x 22 | X44 | 42.00 | 1.654 | 44.00 | 1.732 |
| 2 x 23 | X46 | 44.00 | 1.732 | 46.00 | 1.811 |
| 2 x 24 | X48 | 46.00 | 1.811 | 48.00 | 1.890 |
| 2 x 25 | X50 | 48.00 | 1.890 | 50.00 | 1.969 |

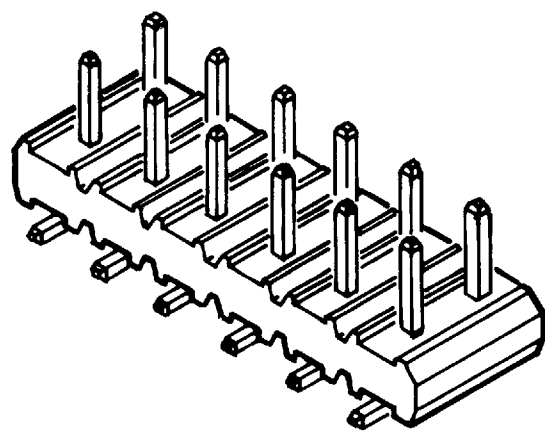
Pin length and polarization may be customized to suit individual applications.

Ordering data shown is for our standard product offering. For non-standard or custom products, contact your authorized Berg Electronics representative.

Unshrouded Headers

2.00 x 2.00 mm (0.079 x 0.079 in.)
Centerlines

Minitek™ Vertical Surface-Mount Headers



Features

- 2 x 2 through 2 x 25 positions.
- 0.50 mm (0.020 in.) square drawn wire pin provides four smooth mating surfaces.
- "Gull-wing" leads allow easy cleaning of boards and visual inspection of solder joints.
- High temperature housings withstand reflow soldering temperature
- 0.10 mm (0.004 in.) lead coplanarity.
- 2.00 mm (0.079 in.) mating length available for use with top-entry vertical board-mounted receptacles ≤ 4.00 mm tall.

Options

- Polarization by omitting pins.
- Variable mating pin lengths.
- Packaging tubes
- Tape-and-reel


Mating Data


| Berg Electronics Products | Page |
|--|--------------|
| ▪ Minitek™ board-mounted receptacles | 9-26 to 9-37 |
| ▪ Minitek™ shunt | 9-24 |
| ▪ Minitek™ crimp-to-wire receptacle and housing assembly | 9-43 to 9-46 |
| ▪ Minitek™ 2.00 mm (0.079 in.) IDC receptacle | 9-48 |

Specifications

- JIS-5020
- MIL-STD-202

Approvals and Certifications

 File no. E66906

 File no. LR46923

Technical Data

Materials

- High-temperature housing Glass-filled PCT (UL 94 V-0)
 - ▶ Color Black or Cream
 - ▶ Applicable soldering processes. Wave, IR, vapor-phase
- Pin Phosphor-bronze

Operating Environment

- Temperature range Nylon: -40°C to +105°C
PCT: -55°C to +125°C

Plating

- Underplate 1.27 µm (50 µin.) min nickel
- Finish
 - ▶ Fully-plated Pins 0.20 µm (8 µin.) min gold or 0.76 µm (30 µin.) min gold or 0.38 µm (15 µin.) min GXT™
 - ▶ Duplex-plated pins
 - Contact area 0.38 µm (15 µin) min gold or 0.38 µm (15 µin) min GXT™ or 0.76 µm (30 µin) min GXT™
 - Solder area 3.80 µm (150 µin) min tin/lead

Electrical Performance

- Insulation resistance 1000 MΩ min
- Withstanding voltage 650 V rms
- Current rating 2 amp continuous
- Contact resistance 25 mΩ max
- Voltage rating 200 V ac/dc

Mechanical Performance

- Durability (mating cycles) 100

Packaging

- Bags
- Tubes (optional)
- Tape-and-reel (optional)

Customer Support Materials

| Description | Order No. | Description | Order No. |
|-------------------------------------|-------------|----------------------------------|------------|
| Customer Product Drawings | By Part No. | Product Bulletin | 950522-001 |
| Product Samples | By Part No. | Product Specifications | DPS-12-011 |

9005411 0002344 084