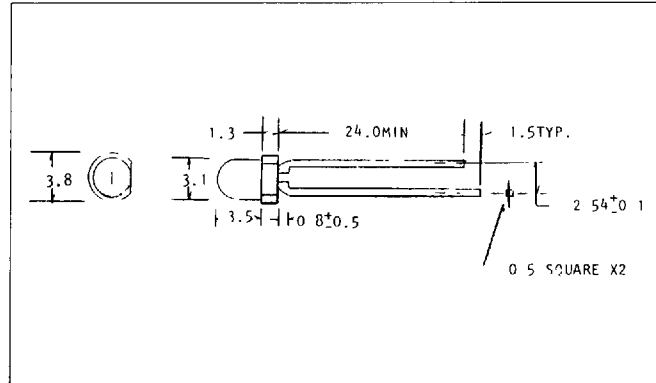


# T-1 Ultra Bright LED Lamps

## FEATURES

- Ultra bright
- All plastic mold
- Low drive current, high intensity red light emission
- Fast response time, capable of pulse operation



## MAXIMUM RATINGS (Ta = 25°C)

PART NO.	FORWARD CURRENT (If) (mA)	REVERSE VOLTAGE (VR) (V)	POWER DISSIPATION (PD) (mW)	OPERATING TEMPERATURE (Topr) (°C)	STORAGE TEMPERATURE (Tstg) (°C)
MT230-CUR	30	4	70	-25~+85	-25~+100
MT240-CUR	30	4	70	-25~+85	-25~+100
MT250-CUR	30	4	70	-25~+85	-25~+100
MT230A-UR	30	4	70	-25~+85	-25~+100
MT240A-UR	30	4	70	-25~+85	-25~+100
MT250A-UR	30	4	70	-25~+85	-25~+100
MT260A-UR	30	4	70	-25~+85	-25~+100

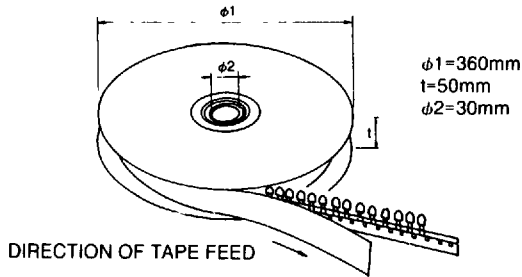
## OPTO-ELECTRICAL CHARACTERISTICS (Ta = 25°C)

PART NO.	MATERIAL	LENS COLOR	VIEWING ANGLE	LUMINOUS INTENSITY (mcd)			FORWARD VOLTAGE (V)			REVERSE CURRENT		PEAK WAVELENGTH (nm)
				typ.	min.	typ. @mA	typ.	max. @mA	μA	Vr		
MT230-CUR	GaAlAs/GaAs	Red Clear	60°	-	135	20	1.7	2.2	20	100	4	660
MT240-CUR	GaAlAs/GaAs	Red Diff	75°	-	85	20	1.7	2.2	20	100	4	660
MT250-CUR	GaAlAs/GaAs	Water Clear	60°	-	115	20	1.7	2.2	20	100	4	660
MT230A-UR	GaAlAs	Red Clear	60°	-	470	20	1.7	2.2	20	100	4	660
MT240A-UR	GaAlAs	Red Diff	75°	-	190	20	1.7	2.2	20	100	4	660
MT250A-UR	GaAlAs	Water Clear	65°	-	345	20	1.7	2.2	20	100	4	660
MT260A-UR	GaAlAs	White Diff	75°	-	160	20	1.7	2.2	20	100	4	660

# APPLICATION NOTES

## [4] Packaging Reel Packaging

### a) Reel type



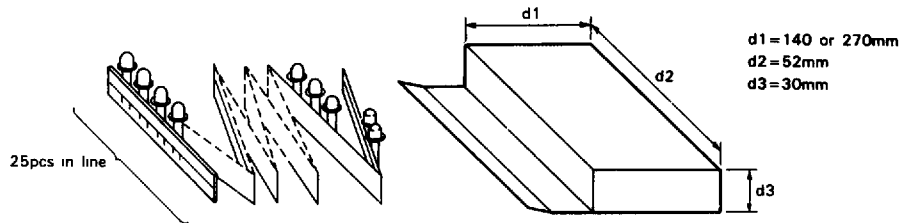
### Content

LED Type	Quantity/Reel
$\phi 3$ Series	2000 pcs
$\phi 5$ Series	1000 pcs

T-1 and T- 1 3/4 packages

\*Lamps with external shapes other than those above are also available. Please consult Marktech.

### b) Zigzag wound tape



At tape beginning and end, there is additional space for 4 pcs or more

### Content

LED Type	Quantity/Box
$\phi 3$ Series	2000 or 5000 pcs
$\phi 5$ Series	1000 or 2000 pcs



**marktech**

5 Hemlock Street • Latham, New York • (518) 786-6591 • FAX (518) 786-6599