



RESISTORS • CAPACITORS • COILS • DELAY LINES

RADIAL LEAD TANGOLD™ CAPACITORS EPOXY RESIN COATED, TANTALUM

TR SERIES



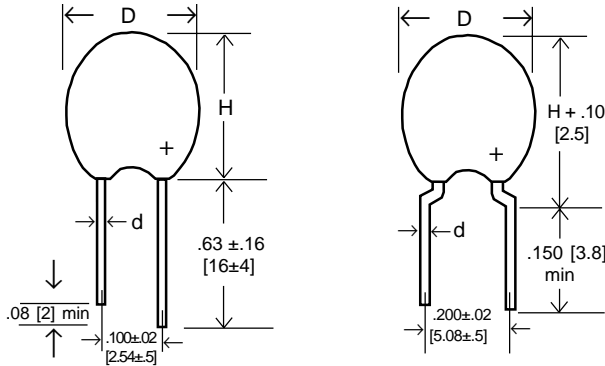
Term.W is
RoHS
compliant
& 260°C
compatible



- Epoxy resin dipped, UL94V-0 Flame Retardant
- Low leakage current and impedance
- Excellent humidity and heat resistance
- Laser marked capacitor body
- Several lead-wire forms available

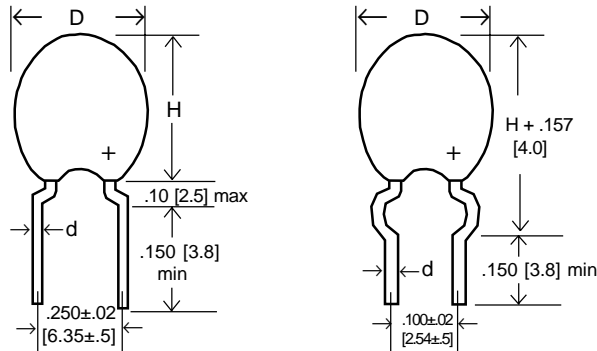
STANDARD LEAD STYLES

Style 10 (.100" lead spacing) Style 20 (.200" lead spacing)



OPTIONAL LEAD STYLES (additional styles available)

Style 25 (.250" lead spacing) Style 10K (.100" LS with kink)



P/N DESIGNATION:

TR A 10 - 105 - K 020 A W

- RCD Type **TR**
- Case Code: **A, B, C, D, E, F**
- Lead Style: **10, 20, 25, 10K, etc.**
- Option Code(s): Leave blank if standard
- Capacitance Code (pF): 2 significant digits & multiplier
103=10,000pF or 0.01uF, 104=100,000pF or 0.1uF, 105 = 1uF, 106= 10uF, 107=100uF
- Tolerance: Standard=K (10%). J (5%) & M (20%) also avail.
- Voltage: 3 digit code (003=3V, 004=4V, 006=6.3V, 010=10V, 016=16V, 020=20V, 025=25V, 035=35V, 050=50V)
- Packaging: B=Bulk, A = Ammo (tape & box)
- Termination: W= Lead-free (std), Q= Tin/Lead (leave blank if either is acceptable)

DIMENSIONS

Case Size	D(Max)	H (Max)	d ± .002 [.05]
A	.177 [4.5]	0.28 [7.1]	.020 [0.50]
B	.196 [5.0]	.315 [8.0]	.020 [0.50]
C	.217 [5.5]	.375 [9.5]	.020 [0.50]
D	.256 [6.5]	.433 [11.0]	.020 [0.50]
E	.335 [8.5]	.512 [13.0]	.020 [0.50]
F	.375 [9.5]	.650 [16.5]	.020 [0.50]

RATED VOLTAGE, NOMINAL CAPACITANCE AND CASE SIZES									
Rated DC Voltage(85°C)	3	4	6.3	10	16	20	25	35	50
Rated DC Voltage(125°C)	2	2.5	4	6.3	10	13	16	20	32
Short-time Overload Voltage (30Sec)	4	5.2	8	13	20	26	33	46	65
Capacitance (µF)	Code	Case Code							
0.047	473							A	A
0.068	683							A	A
0.1	104							A	A
0.15	154							A	A
0.22	224							A	A
0.33	334							A	A
0.47	474							A	A
0.68	684							A	A
1.0	105				A	A	A	A	B
1.5	155				A	A	A	A	C
2.2	225			A	A	A	A	B	C
3.3	335			A	A	A	B	B	D
4.7	475	A	A	A	A	B	B	B	D
6.8	685	A	A	A	B	B	C	C	D
10	106	A	A	B	B	B	C	C	E
15	156	A	A	B	C	C	D	D	F
22	226	B	B	C	C	C	D	D	F
33	336	B	B	C	D	D	E	E	F
47	476	C	C	D	D	D	E	E	F
68	686	D	D	D	D	E	F	F	
100	107	D	D	E	E	E	F	F	
150	157	D	E	E	E	F			
220	227	E	E	E	F				
330	337	E	F	F					
470	477	F							
680	687	F							

SPECIFICATIONS

CAPACITANCE (µF)	AC FROM INITIAL LIMIT			DISSIPATION FACTOR (25°C,120Hz)			
	-55°C	+85°C	+125°C	-55°C	+25°C	+85°C	+125°C
<1.0				6%	4%	6%	6%
1.5 to 68	±10%	±15%	±25%	10%	6%	10%	10%
100 to 680				12%	8%	12%	12%

RCD Components Inc., 520 E. Industrial Park Dr., Manchester, NH, USA 03109

Tel: (603) 669-0054 Fax:(603) 669-5455 E-mail: sales@rcdcomponents.com www.rcdcomponents.com

FA059B Sale of this product is in accordance with GF-061. Specifications subject to change without notice.