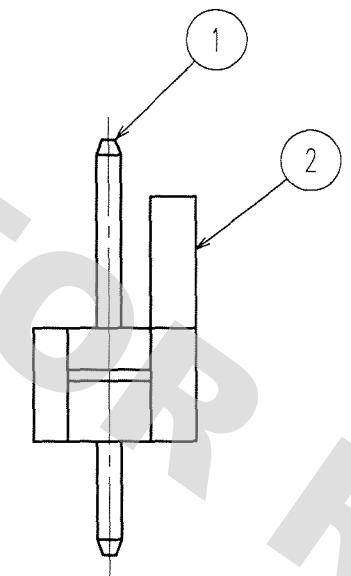
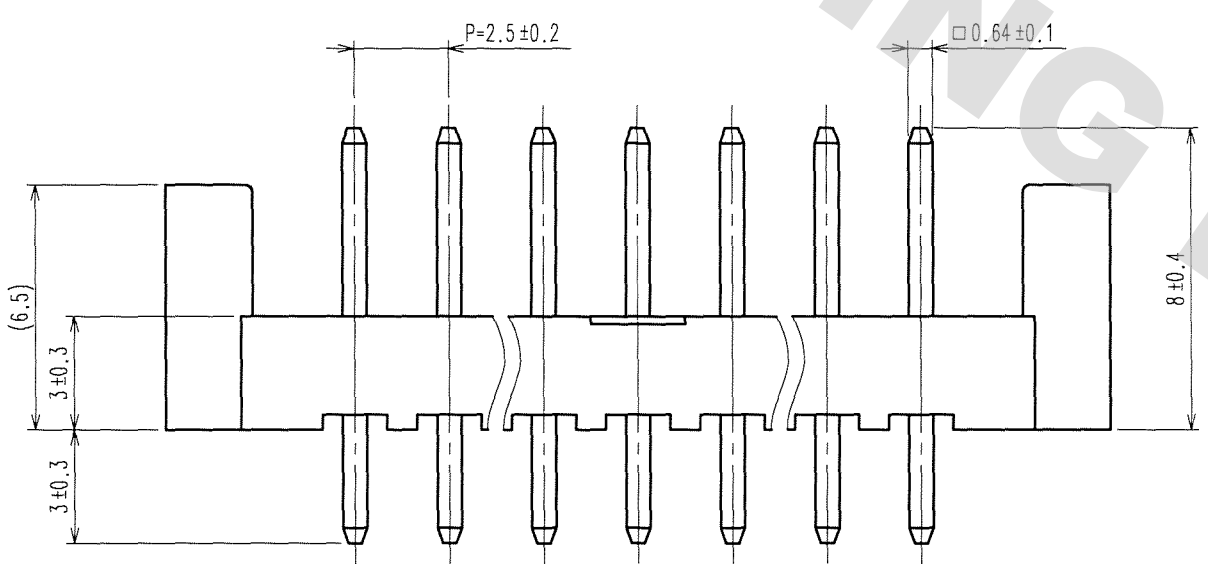
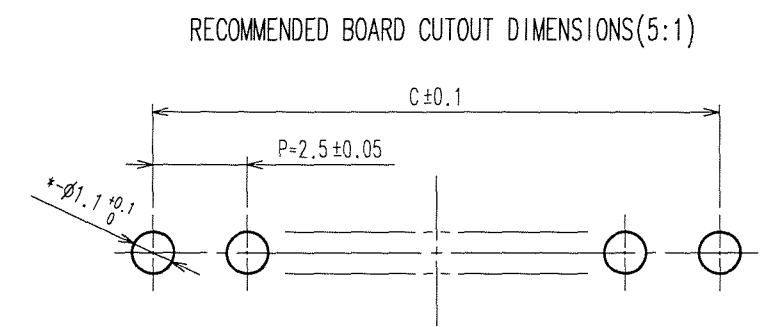
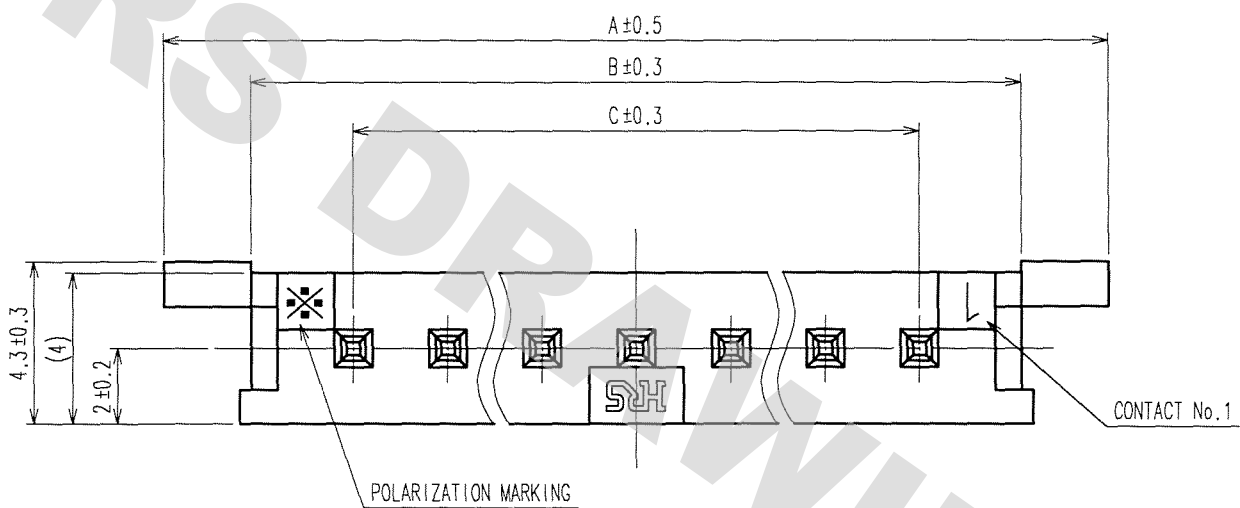
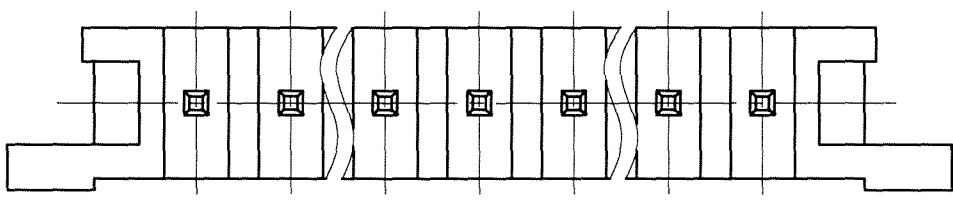


COUNT	DESCRIPTION OF REVISIONS	BY	CHKD	DATE	COUNT	DESCRIPTION OF REVISIONS	BY	CHKD	DATE
△				..	△				..
△				..	△				..
△				..	△				..



PARTS No.	NUMBER OF CONTACT	CODE No.	A	B	C
HNC2-2.5P- 2DS(02)	2	CL218-0012-4-02	12.5	7.8	2.5
HNC2-2.5P- 3DS(02)	3	CL218-0023-0-02	15.0	10.4	5.0
HNC2-2.5P- 4DS(02)	4	—	17.5	12.9	7.5
HNC2-2.5P- 5DS(02)	5	CL218-0028-4-02	20.0	15.4	10.0
HNC2-2.5P- 6DS(02)	6	—	22.5	17.9	12.5
HNC2-2.5P- 7DS(02)	7	CL218-0031-9-02	25.0	20.4	15.0
HNC2-2.5P- 8DS(02)	8	CL218-0015-2-02	27.5	22.8	17.5
HNC2-2.5P-10DS(02)	10	CL218-0018-0-02	32.5	27.8	22.5
HNC2-2.5P-15DS(02)	15	—	45.0	40.4	35.0



1	BRASS	SURFACE:GOLD PLATED 0.2μ m min UNDER PLATING:NICKEL PLATED 3μ m min	2	POLYAMIDE	BLACK,UL94V-2
NO.	MATERIAL	FINISH, REMARKS	NO.	MATERIAL	FINISH, REMARKS
CODE NO.(OLD)			DRAWN	DESIGNED	CHECKED
			A.Miura	A.Niyozaki	H.Uehara
			'06.11.01	'06.11.01	'06.11.01
			APPROVED	RELEASED	
			J.Ono		
DRAWING NO. EDC3-162408-04			PART NO. HNC2-2.5P-*DS(02)		
SCALE 5 : 1			CODE NO. CL218		
UNITS mm			HIROSE ELECTRIC CO., LTD		

DRAWING FOR REFERENCE: This is subject to change without notice
08/11/2012

TO