

Features

- RF & Microwave Medium Barrier Silicon 8 V Schottky Diode
- Available as Single Diode, Series Pair or Unconnected Pair Configurations.
- Low Profile Surface Mount Plastic Package
- Lead Free (RoHS Compliant) Equivalents Available With 260 Deg. C Reflow Capability

Description and Applications

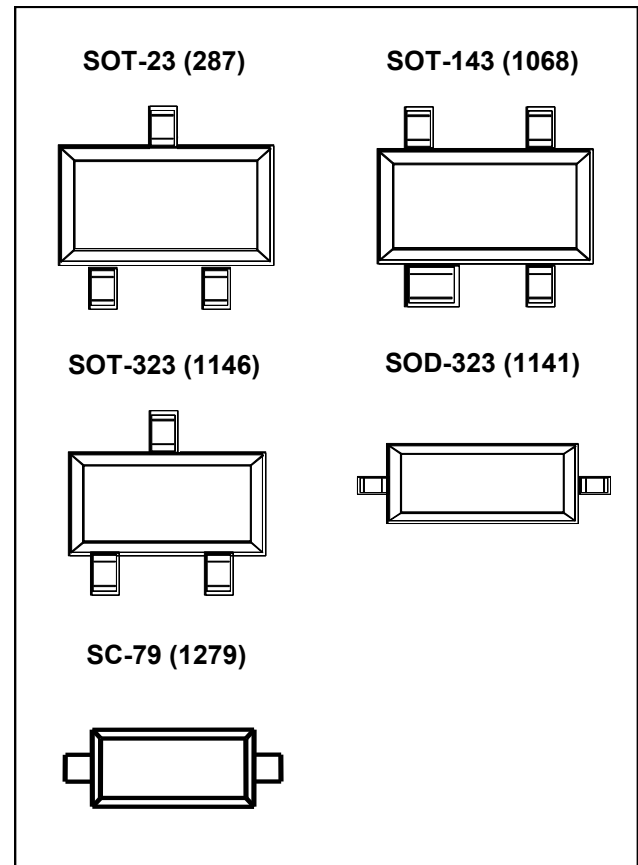
The MA4E1338 series is a silicon medium barrier Schottky diode suitable for use in mixer, detector and limiter circuits. These diodes are also suitable for usage in anti-parallel, shunt power surge protection circuits for 50 Ω and 75 Ω systems.

These parts are offered with Sn/Pb plating, as well as with 100 % matte Sn plating on the RoHS compliant part numbers.

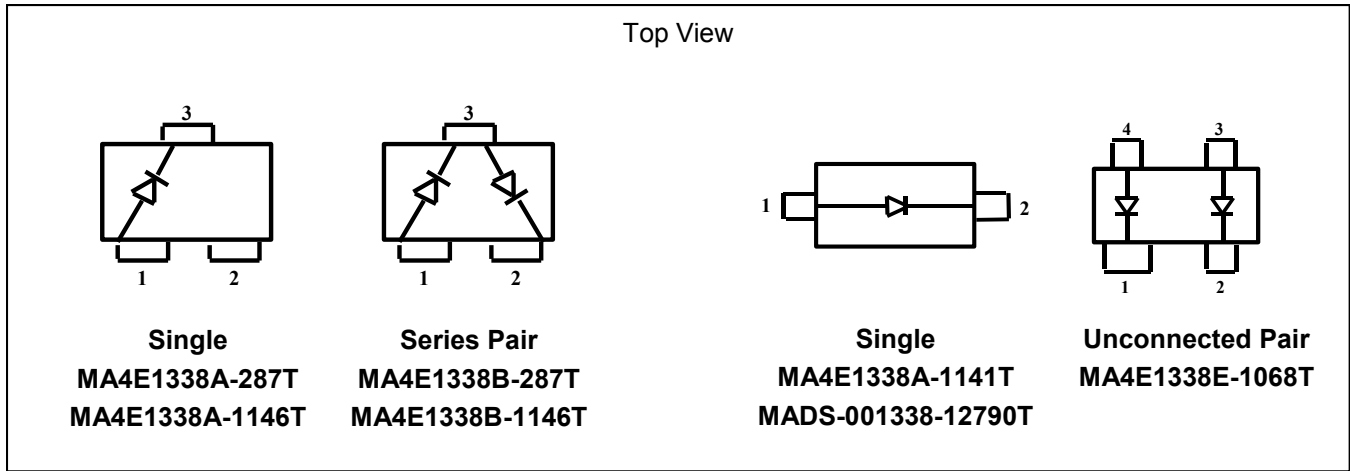
The MA4E1338 Series of Schottky diodes is available in the SOT-23 (case style 287), SOT-143 (case style 1068), SOT-323 (case style 1146), SC-79 (case style 1279) and the SOD 323, (case style 1141) plastic package. These packages are supplied on tape and reel for automatic pick and place assembly and for surface mount placement to circuit boards, as indicated by a "T" to the P/N suffix.

These Silicon Medium Barrier, 8 V Schottky Diodes are Useful in Detector, Limiter, Mixer, and Surge Protection Applications for Operating Frequency Bands from D.C. through 6 GHz.

Package Outlines



Configurations



Standard Part Numbers and RoHS Equivalents

Standard Part Number	RoHS Compliant Part Number	Package Style
MA4E1338A-287T	MA4E1338A1-287T	SOT-23
MA4E1338A-1146T	MA4E1338A1-1146T	SOT-323
MA4E1338B-287T	MA4E1338B1-287T	SOT-23
MA4E1338B-1146T	MA4E1338B1-1146T	SOT-323
MA4E1338A-1141T	MA4E1338A1-1141T	SOD-323
N/A	MADS-001338-12790T	SC-79
MA4E1338E-1068T	MA4E1338E1-1068T	SOT-143

Maximum Ratings @ 25 °C (unless otherwise specified) ^{1,2}

Parameter	Unit	Values
Operating Temperature	°C	-55 to +125
Storage Temperature	°C	-55 to +125
Total Power Dissipation (RF and D.C.)	mW	250
Continuous Forward Current	mA	30
Surge Forward Current, @ t < 10 ms	mA	100
Reverse Voltage	V	8
Soldering Temperature (Standard Part #)	°C	+235 for 5 sec.
Soldering Temperature (RoHS Compliant Part #)	°C	+260 for 5 sec.

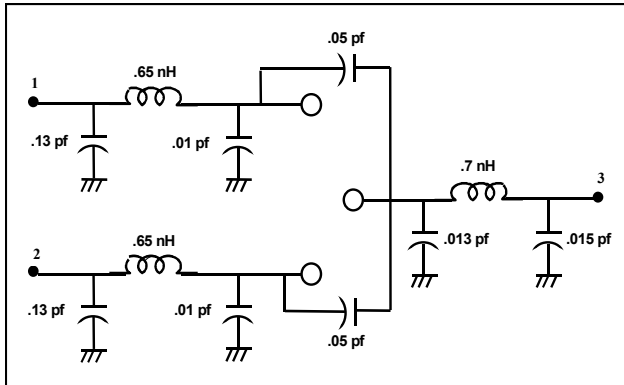
1. Operation of this device above any one of the Maximum Rated parameters may cause permanent damage.
2. Please refer to Application Note M538 for surface mounting instructions.

Electrical Specifications @ +25 °C

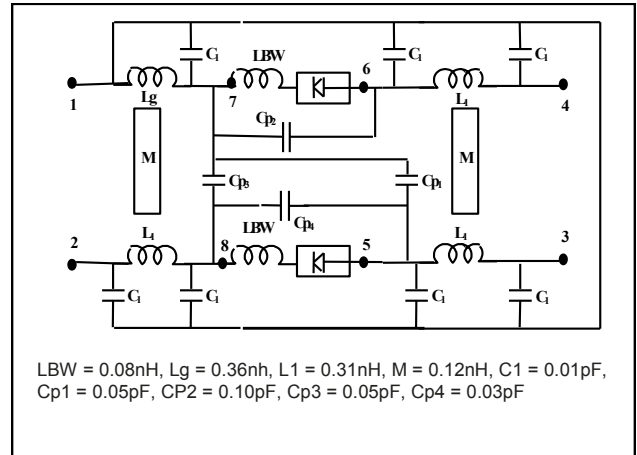
Parameter	Condition	Symbol	Specification
Forward Voltage	$I_F = 1 \text{ mA}$	V_F	360 mV max.
Delta Forward Voltage	$I_F = 1 \text{ mA}$	ΔV_F	20 mV max. (for series pair and unconnected pair configurations)
Forward Voltage	$I_F = 10 \text{ mA}$	V_F	500 mV max.
Total Capacitance	$V_R = 0 \text{ V}$ $F = 1 \text{ MHz}$	C_T	1.0 pF max.
Reverse Leakage Current	$V_R = 1 \text{ V}$	I_R	100 nA max.
Reverse Voltage Breakdown	$I_R = 10 \mu\text{A}$	V_b	8 V min.

Circuit Models

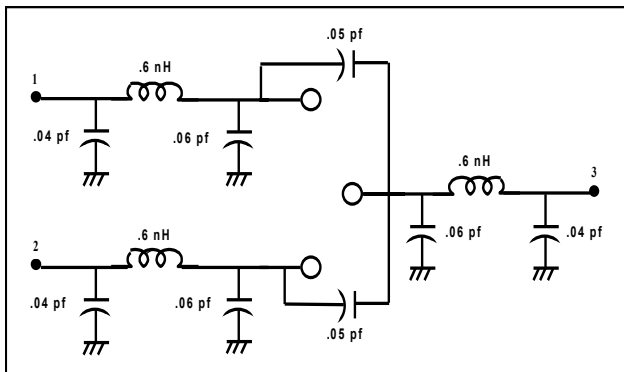
SOT-23



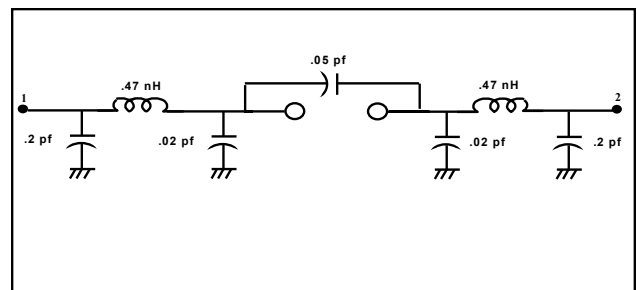
SOT-143



SOT-323

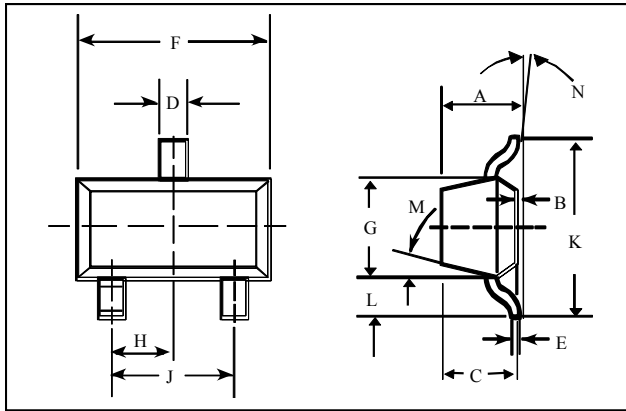


SOD-323



Case Styles

SOT-23

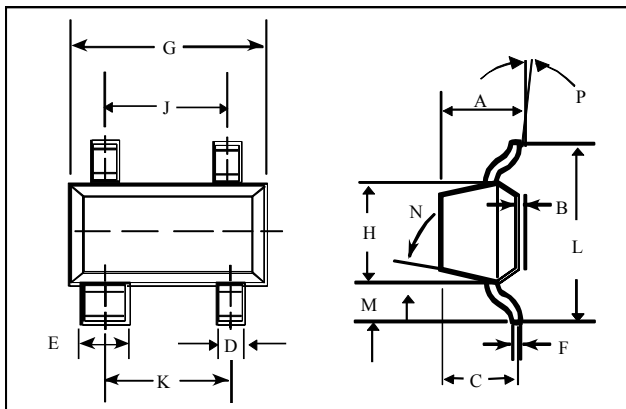


SOT-23 (Case Style 287)

DIM.	INCHES		MILLIMETERS	
	MIN.	MAX.	MIN.	MAX.
A	–	0.048	–	1.22
B	–	0.008	–	0.20
C	–	0.040	–	1.00
D	0.013	0.020	0.35	0.50
E	0.003	0.006	0.08	0.15
F	0.110	0.119	2.80	3.00
G	0.047	0.056	1.20	1.40
H	0.037 typical		0.95 typical	
J	0.075 typical		1.90 typical	
K	–	0.103	–	2.60
L	–	0.024	–	0.60
DIM.	GRADIENT			
M	10° max. ³			
N	2° . . . 30°			

3. Applicable on all sides

SOT-143



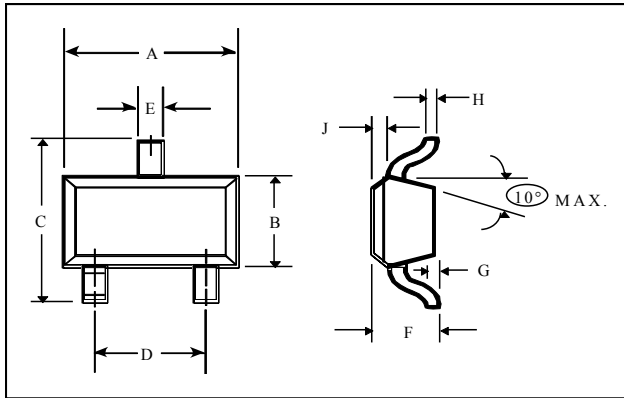
SOT-143 (Case Style 1068)

DIM.	INCHES		MILLIMETERS	
	MIN.	MAX.	MIN.	MAX.
A	–	0.044	–	1.10
B	–	0.044	–	1.10
C	–	0.040	–	1.00
D	0.030	0.035	0.75	0.90
E	0.013	0.020	0.35	0.50
F	0.003	0.006	0.08	0.15
G	0.110	0.119	2.80	3.00
H	0.047	0.056	1.20	1.40
J	0.075 typical		1.90 typical	
K	0.075 typical		1.90 typical	
L	–	0.103	–	2.6
M	–	0.024	–	0.6
DIM.	GRADIENT			
N	10° max. ⁴			
P	2° . . . 30°			

4. Applicable on all sides

Case Styles (Cont'd)

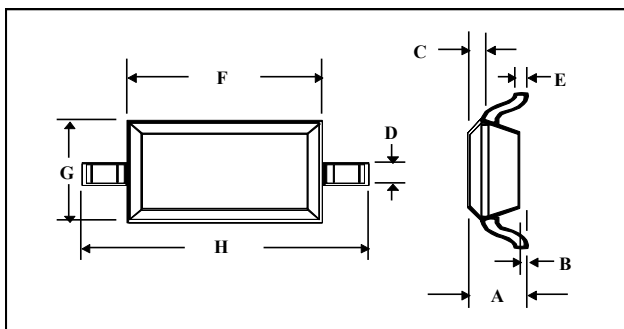
SOT-323



SOT-323 (Case Style 1146)

DIM.	INCHES		MILLIMETERS	
	MIN.	MAX.	MIN.	MAX.
A	0.063	0.087	1.6	2.2
B	0.045	0.053	1.15	1.35
C	0.079	0.087	2.0	2.2
D	0.047	0.055	1.2	1.4
E	0.008	0.016	0.2	0.4
F	0.031	0.039	0.8	1.0
G	–	0.004	–	0.1
H	0.003	0.006	0.08	0.15
J	0.004	0.010	0.1	0.25

SOD-323

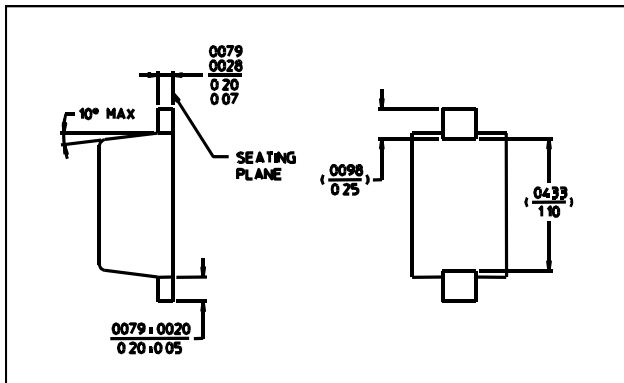
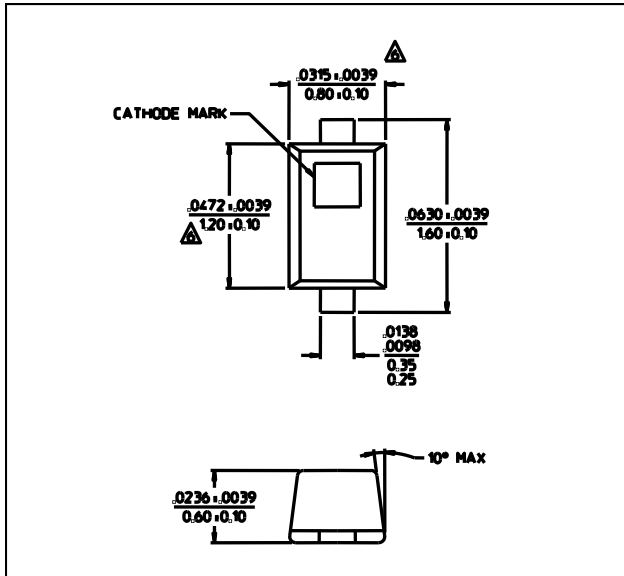


SOD-323 (Case Style 1141)

DIM.	INCHES		MILLIMETERS	
	MIN.	MAX.	MIN.	MAX.
A	–	0.043	–	1.1
B	–	0.004	–	0.1
C	–	0.008	–	0.2
D	0.010	0.016	0.25	0.4
E	0.003	0.006	0.08	0.15
F	0.063	0.075	1.6	1.9
G	0.045	0.057	1.15	1.45
H	0.091	0.106	2.3	2.7

Case Styles (Cont'd)

ODS-1279



Package Parasitics

$L_s = .6 \text{ nH}$

$C_p = .10 \text{ pF}$

M/A-COM Technology Solutions Inc. All rights reserved.

Information in this document is provided in connection with M/A-COM Technology Solutions Inc ("MACOM") products. These materials are provided by MACOM as a service to its customers and may be used for informational purposes only. Except as provided in MACOM's Terms and Conditions of Sale for such products or in any separate agreement related to this document, MACOM assumes no liability whatsoever. MACOM assumes no responsibility for errors or omissions in these materials. MACOM may make changes to specifications and product descriptions at any time, without notice. MACOM makes no commitment to update the information and shall have no responsibility whatsoever for conflicts or incompatibilities arising from future changes to its specifications and product descriptions. No license, express or implied, by estoppel or otherwise, to any intellectual property rights is granted by this document.

THESE MATERIALS ARE PROVIDED "AS IS" WITHOUT WARRANTY OF ANY KIND, EITHER EXPRESS OR IMPLIED, RELATING TO SALE AND/OR USE OF MACOM PRODUCTS INCLUDING LIABILITY OR WARRANTIES RELATING TO FITNESS FOR A PARTICULAR PURPOSE, CONSEQUENTIAL OR INCIDENTAL DAMAGES, MERCHANTABILITY, OR INFRINGEMENT OF ANY PATENT, COPYRIGHT OR OTHER INTELLECTUAL PROPERTY RIGHT. MACOM FURTHER DOES NOT WARRANT THE ACCURACY OR COMPLETENESS OF THE INFORMATION, TEXT, GRAPHICS OR OTHER ITEMS CONTAINED WITHIN THESE MATERIALS. MACOM SHALL NOT BE LIABLE FOR ANY SPECIAL, INDIRECT, INCIDENTAL, OR CONSEQUENTIAL DAMAGES, INCLUDING WITHOUT LIMITATION, LOST REVENUES OR LOST PROFITS, WHICH MAY RESULT FROM THE USE OF THESE MATERIALS.

MACOM products are not intended for use in medical, lifesaving or life sustaining applications. MACOM customers using or selling MACOM products for use in such applications do so at their own risk and agree to fully indemnify MACOM for any damages resulting from such improper use or sale.