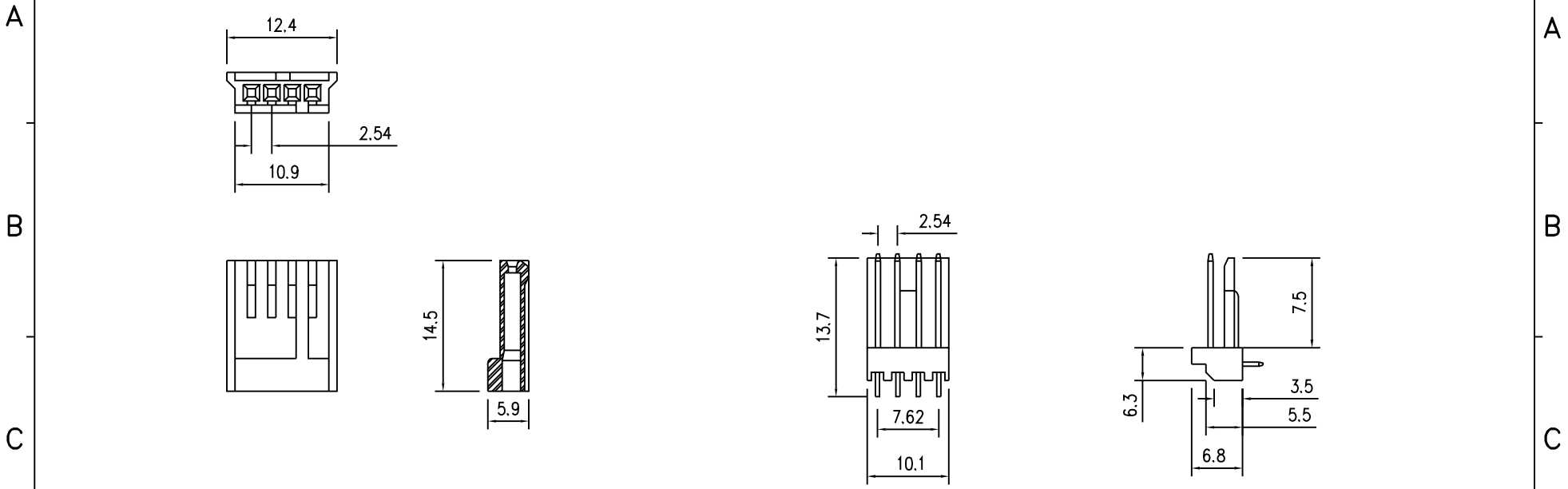


1 2 3 4 5 6 7

2.54mm(.010") Pitch wafer



- Specifications:
- * Pitch between poles 2.54mm
 - * Rated Voltage 250V AC,DC
 - * Rated Current 3A DC,AC
 - * Withstand Voltage 1,000V AC/minute
 - * Insulation Resistance 1,000 MΩ/min
 - * Temperature Range -25~85°C
 - * Applicable P.C.B Thickness 1.6mm
 - * Applicable P.C.B Hole dia $\varnothing 0.9\text{mm}^{+0.05}_0$

- Features:
- * 4 circuits
 - * Nylon 66 UL94V-0
 - * 0.64mm(0.025") tin plated square pin
 - * Mates with 4326A socket

4326A-XXXX
 PIN:02~15
 T: Tin
 G: Gold
 R: Right angle
 S: Straight



易昕企業有限公司
 LEAMAX ENTERPRISE CO., LED.

PROJ		SCALE : F DO NOT SCALE DWG	MOLD NO	4326A	
APP			MODEL	FILE NO	REV.
CHK	CCJ	90.09.06		有翊勝	X1
DGN	AMY	90.09.06	UNIT	SHT 1 OF 1	SIZE
DRW	SHIEH	90.09.06	MM		A4

1 2 3 4 5 6 7

A
B
C
D
E

A
B
C
D
E