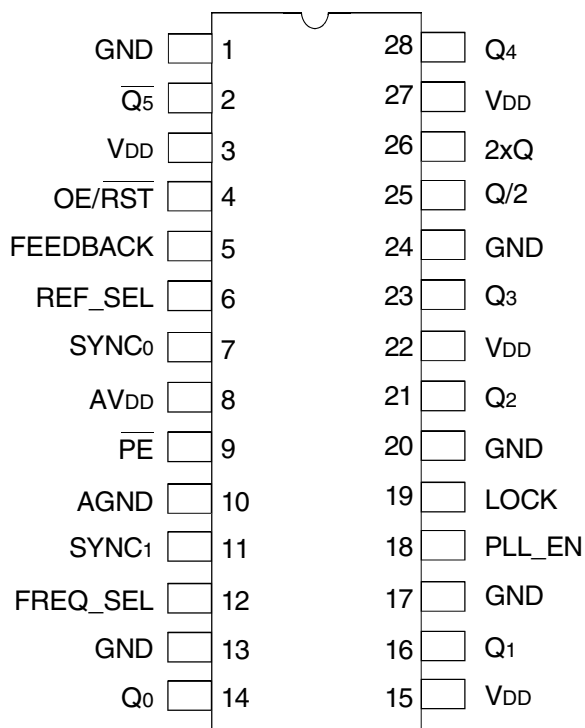
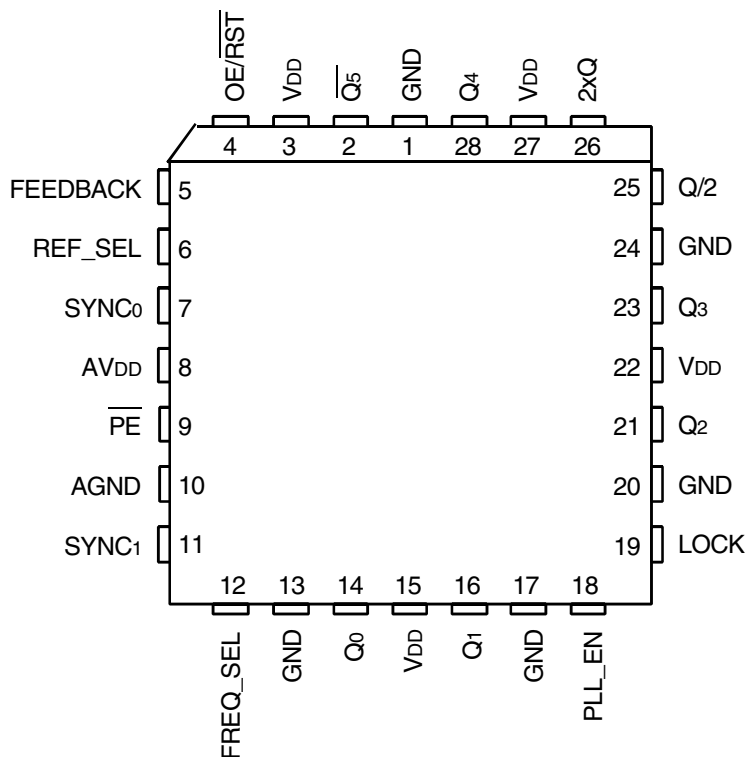




## PIN CONFIGURATION



QSOP  
TOP VIEW



PLCC  
TOP VIEW

## ABSOLUTE MAXIMUM RATINGS (1)

Symbol	Rating	Max.	Unit
V <sub>DD</sub> , AV <sub>DD</sub>	Supply Voltage to Ground	-0.5 to +7	V
	DC Input Voltage V <sub>IN</sub>	-0.5 to +5.5	V
	Maximum Power Dissipation (T <sub>A</sub> = 85°C)	QSOP	655
		PLCC	770
T <sub>STG</sub>	Storage Temperature Range	-65 to +150	°C

### NOTE:

- Stresses greater than those listed under ABSOLUTE MAXIMUM RATINGS may cause permanent damage to the device. This is a stress rating only and functional operation of the device at these or any other conditions above those indicated in the operational sections of this specification is not implied. Exposure to absolute maximum rating conditions for extended periods may affect reliability.

## CAPACITANCE (T<sub>A</sub> = 25°C, f = 1MHz, V<sub>IN</sub> = 0V)

Parameter	QSOP		PLCC		Unit
	Typ.	Max.	Typ.	Max.	
C <sub>IN</sub>	3	4	4	6	pF

## PIN DESCRIPTION

Pin Name	I/O	Description
SYNC <sub>0</sub>	I	Reference clock input
SYNC <sub>1</sub>	I	Reference clock input
REF_SEL	I	Reference clock select. When 1, selects SYNC <sub>1</sub> . When 0, selects SYNC <sub>0</sub> .
FREQ_SEL	I	VCO frequency select. For choosing optimal VCO operating frequency depending on input frequency.
FEEDBACK	I	PLL feedback input which is connected to a user selected output pin. External feedback provides flexibility for different output frequency relationships. See the Frequency Selection Table for more information.
Q <sub>0</sub> -Q <sub>4</sub>	O	Clock outputs
Q <sub>5</sub>	O	Clock output. Matched in frequency, but inverted with respect to Q.
2xQ	O	Clock output. Matched in phase, but frequency is double the Q frequency.
Q/2	O	Clock output. Matched in phase, but frequency is half the Q frequency.
LOCK	O	PLL lock indication signal. 1 indicates positive lock. 0 indicates that the PLL is not locked and outputs may not be synchronized to the inputs.
OE/RST	I	Output enable/asynchronous reset. Resets all output registers. When 0, all outputs are held in a tri-stated condition. When 1, outputs are enabled.
PLL_EN	I	PLL enable. Enables and disables the PLL. Useful for testing purposes.
PE	I	When PE is LOW, outputs are synchronized with the positive edge of SYNC. When HIGH, outputs are synchronized with the negative edge of SYNC.
V <sub>DD</sub>	—	Power supply for output buffers.
AV <sub>DD</sub>	—	Power supply for phase lock loop and other internal circuitries.
GND	—	Ground supply for output buffers.
AGND	—	Ground supply for phase lock loop and other internal circuitries.

## OUTPUT FREQUENCY SPECIFICATIONS

Industrial: T<sub>A</sub> = -40°C to +85°C, AV<sub>DD</sub> / V<sub>DD</sub> = 3.3V ± 0.3V

Symbol	Description	-55	-70	-100	-133	-160	Units
F <sub>MAX_2XQ</sub>	Max Frequency, 2xQ	55	70	100	133	160	MHz
F <sub>MAX_Q</sub>	Max Frequency, Q <sub>0</sub> - Q <sub>4</sub> , Q <sub>5</sub>	27.5	35	50	66.5	80	MHz
F <sub>MAX_Q/2</sub>	Max Frequency, Q/2	13.75	17.5	25	33.25	40	MHz
F <sub>MIN_2XQ</sub>	Min Frequency, 2xQ	20	20	20	20	20	MHz
F <sub>MIN_Q</sub>	Min Frequency, Q <sub>0</sub> - Q <sub>4</sub> , Q <sub>5</sub>	10	10	10	10	10	MHz
F <sub>MIN_Q/2</sub>	Min Frequency, Q/2	5	5	5	5	5	MHz

### FREQUENCY SELECTION TABLE

FREQ_SEL	Output Used for Feedback	SYNC (MHz) (allowable range) <sup>(1)</sup>		Output Frequency Relationships <sup>(2)</sup>			
		Min.	Max	Q/2	Q5	Q0 - Q4	2XQ
HIGH	Q/2	F <sub>MIN_Q/2</sub>	F <sub>MAX_Q/2</sub>	SYNC	- SYNC X 2	SYNC X 2	SYNC X 4
HIGH	Q0-Q4	F <sub>MIN_Q</sub>	F <sub>MAX_Q</sub>	SYNC / 2	- SYNC	SYNC	SYNC X 2
HIGH	Q5	F <sub>MIN_Q</sub>	F <sub>MAX_Q</sub>	- SYNC / 2	SYNC	- SYNC	- SYNC X 2
HIGH	2xQ <sup>(3)</sup>	F <sub>MIN_2XQ</sub>	100	SYNC / 4	- SYNC / 2	SYNC / 2	SYNC
LOW	Q/2	F <sub>MIN_Q/2/2</sub>	F <sub>MAX_Q/2/2</sub>	SYNC	- SYNC X 2	SYNC X 2	SYNC X 4
LOW	Q0-Q4	F <sub>MIN_Q/2</sub>	F <sub>MAX_Q/2</sub>	SYNC / 2	- SYNC	SYNC	SYNC X 2
LOW	Q5	F <sub>MIN_Q/2</sub>	F <sub>MAX_Q/2</sub>	- SYNC / 2	SYNC	- SYNC	- SYNC X 2
LOW	2xQ	F <sub>MIN_2XQ/2</sub>	F <sub>MAX_2XQ/2</sub>	SYNC / 4	- SYNC / 2	SYNC / 2	SYNC

**NOTES:**

1. Operation in the specified SYNC frequency range guarantees that the VCO will operate in its optimal range of 20MHz to F<sub>MAX\_2xQ</sub>. Operation with Sync inputs outside specified frequency ranges may result in out-of-lock outputs. FREQ\_SEL only affects VCO frequency and does not affect output frequencies.
2. The lock output pin (LOCK) may not indicate reliably for VCO frequencies below 30MHz.
3. The 2xQ is limited to a maximum frequency (F<sub>MAX\_2xQ</sub>) of 100MHz only when used as a feedback.

### DC ELECTRICAL CHARACTERISTICS OVER OPERATING RANGE

Following Conditions Apply Unless Otherwise Specified

Industrial: T<sub>A</sub> = -40°C to +85°C, AV<sub>DD</sub>/V<sub>DD</sub> = 3.3V ± 0.3V

Symbol	Parameter	Conditions	Min.	Typ.	Max.	Unit
V <sub>IH</sub>	Input HIGH Voltage	Guaranteed Logic HIGH Level	2	—	—	V
V <sub>IL</sub>	Input LOW Voltage	Guaranteed Logic LOW Level	—	—	0.8	V
V <sub>OH</sub>	Output HIGH Voltage	I <sub>OH</sub> = -24mA	V <sub>DD</sub> - 0.6	—	—	V
		I <sub>OH</sub> = -100µA	V <sub>DD</sub> - 0.2	—	—	
V <sub>OL</sub>	Output LOW Voltage	V <sub>DD</sub> = Min., I <sub>OL</sub> = 24mA	—	—	0.45	V
		V <sub>DD</sub> = Min., I <sub>OL</sub> = 100µA	—	—	0.2	
V <sub>H</sub>	Input Hysteresis	—	—	100	—	mV
I <sub>OZ</sub>	Output Leakage Current	V <sub>OUT</sub> = V <sub>DD</sub> or GND, V <sub>DD</sub> = Max.	—	—	± 5	µA
I <sub>IN</sub>	Input Leakage Current	AV <sub>DD</sub> = Max., V <sub>IN</sub> = AV <sub>DD</sub> or GND	—	—	± 5	µA
I <sub>PD</sub>	Input Pull-Down Current (P <sub>E</sub> )	AV <sub>DD</sub> = Max., V <sub>IN</sub> = AV <sub>DD</sub>	—	—	± 100	µA

### POWER SUPPLY CHARACTERISTICS

Symbol	Parameter	Test Conditions	Typ.	Max.	Unit
I <sub>DDQ</sub>	Quiescent Power Supply Current	V <sub>DD</sub> = Max., OE/ $\overline{RST}$ = LOW, SYNC = LOW, All outputs unloaded		1	mA
ΔI <sub>DD</sub>	Power Supply Current per Input HIGH	V <sub>DD</sub> = Max., V <sub>IN</sub> = 3V	1	30	µA
I <sub>DDD</sub>	Dynamic Power Supply Current <sup>(1)</sup>	V <sub>DD</sub> = Max., C <sub>L</sub> = 0pF	0.2	0.4	mA/MHz

**NOTE:**

1. Relative to the frequency of Q outputs.

## INPUT TIMING REQUIREMENTS

Symbol	Description <sup>(1)</sup>	Min.	Max.	Unit
t <sub>R</sub> , t <sub>F</sub>	Maximum input rise and fall times, 0.8V to 2V	—	3	ns
F <sub>I</sub>	Input Clock Frequency, SYNC <sub>0</sub> , SYNC <sub>1</sub> <sup>(1)</sup>	2.5	100	MHz
t <sub>PWC</sub>	Input clock pulse, HIGH or LOW <sup>(2)</sup>	2	—	ns
D <sub>H</sub>	Input duty cycle, SYNC <sub>0</sub> , SYNC <sub>1</sub> <sup>(2)</sup>	25	75	%

**NOTES:**

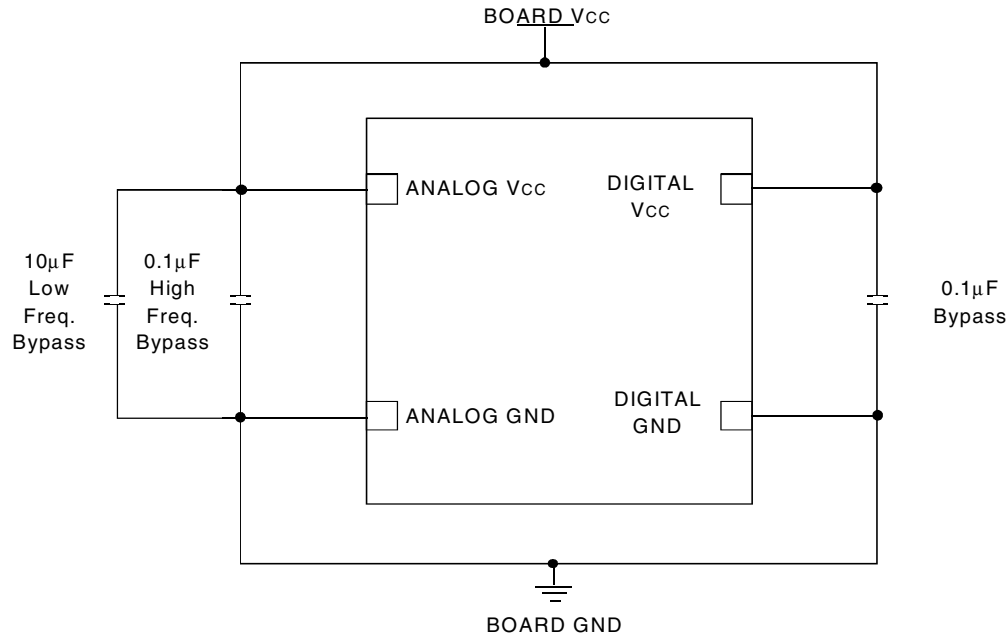
- See Output Frequency and Frequency Selection tables for more detail on allowable SYNC input frequencies for different speed grades with different FEEDBACK and FREQ\_SEL combinations.
- Where pulse width implied by D<sub>H</sub> is less than twpc limit, twpc limit applies

## SWITCHING CHARACTERISTICS OVER OPERATING RANGE

Symbol	Parameter <sup>(1)</sup>	Min.	Max.	Unit
t <sub>SKR</sub>	Output Skew Between Rising Edges, Q <sub>0</sub> -Q <sub>4</sub> (and Q/2 if $\overline{PE}$ = LOW) <sup>(2)</sup>	—	300	ps
t <sub>SKF</sub>	Output Skew Between Falling Edges, Q <sub>0</sub> -Q <sub>4</sub> (and Q/2 if $\overline{PE}$ = HIGH) <sup>(2)</sup>	—	300	ps
t <sub>SKALL</sub>	Output Skew, All Outputs <sup>(2,5)</sup>	—	500	ps
t <sub>PW</sub>	Pulse Width, 2xQ output, >40MHz	T <sub>cy</sub> /2 - 0.4	T <sub>cy</sub> /2 + 0.4	ns
t <sub>PW</sub>	Pulse Width, Q <sub>0</sub> -Q <sub>4</sub> , Q <sub>5</sub> , Q/2 outputs, 80MHz	T <sub>cy</sub> /2 - 0.4	T <sub>cy</sub> /2 + 0.4	ns
t <sub>J</sub>	Cycle-to-Cycle Jitter <sup>(4)</sup>	-0.15	0.15	ns
t <sub>PD</sub>	SYNC Input to Feedback Delay <sup>(6)</sup>	-500	0	ps
t <sub>LOCK</sub>	SYNC to Phase Lock	—	10	ms
t <sub>PZH</sub> t <sub>PZL</sub>	Output Enable Time, OE/ $\overline{RST}$ LOW to HIGH <sup>(3)</sup>	0	14	ns
t <sub>PHZ</sub> t <sub>PLZ</sub>	Output Disable Time, OE/ $\overline{RST}$ HIGH to LOW <sup>(3)</sup>	0	14	ns
t <sub>R</sub> , t <sub>F</sub>	Output Rise/Fall Times, 0.8V ~ 2V	0.3	2	ns

**NOTES:**

- See Test Loads and Waveforms for test load and termination.
- Skew specifications apply under identical environments (loading, temperature, V<sub>DD</sub>, device speed grade).
- Measured in open loop mode PLL\_EN = 0.
- Jitter is characterized with Q output at 20MHz. See Frequency Selection Table for information on proper FREQ\_SEL level for specified input frequencies.
- Skew measured at selected synchronization edge.
- t<sub>PD</sub> measured at device inputs at 0.5V<sub>DD</sub>, Q output at 80MHz.



A separate Analog power supply is not necessary and should not be used. Following these prescribed guidelines is all that is necessary to use the QS5LV919 in a normal digital environment.

Figure 1. Recommended Analog Isolation Scheme for the QS5LV919

**NOTES:**

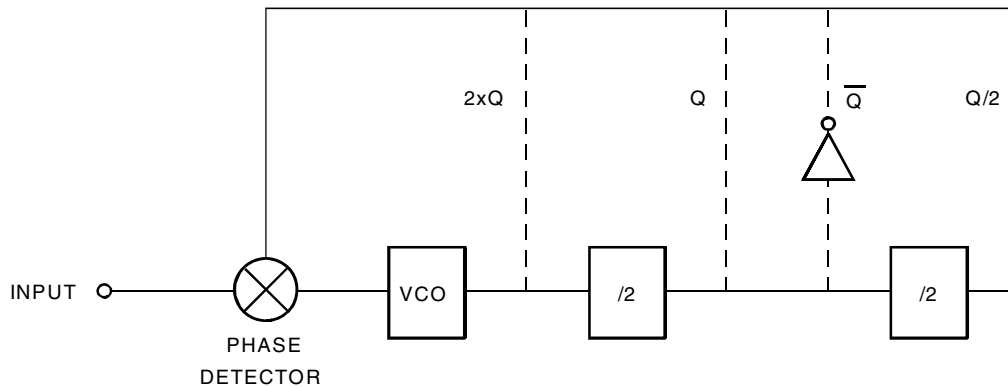
1. Figure 1 shows an analog isolation scheme which will be effective in most applications. The following guidelines should be followed to ensure stable and jitter-free operation:
  - a. All analog isolation components should be tied as close to the package as possible. Stray current passing through the parasitics of long traces can cause undesirable voltage transients.
  - b. The 10µF low frequency bypass capacitor and the 0.1µF high frequency bypass capacitor form a wide bandwidth filter that will minimize the QS5LV919's sensitivity to voltage transients from the system digital Vcc supply and ground planes.  
If good bypass techniques are used on a board design near components which may cause digital Vcc and ground noise, Vcc step deviations should not occur at the QS5LV919's digital Vcc supply. The purpose of the bypass filtering scheme shown in figure 1 is to give the QS5LV919 additional protection from the power supply and ground plane transients that can occur in a high frequency, high speed digital system.
2. The bypass capacitors can be ceramic chip capacitors. There should be a 0.1µF bypass capacitor between each of the other (digital) four Vcc pins and the board ground plane. This will reduce output switching noise caused by the QS5LV919 outputs, in addition to reducing potential for noise in the "analog" section of the chip. These bypass capacitors should also be tied as close to the QS5LV919 package as possible.

## PLL OPERATION

The Phase Locked Loop (PLL) circuit included in the QS5LV919 provides for replication of incoming SYNC clock signals. Any manipulation of that signal, such as frequency multiplying or inversion is performed by digital logic following the PLL (see the block diagram). The key advantage of the

PLL circuit is to provide an effective zero propagation delay between the output and input signals. In fact, adding delay circuits in the feedback path, 'propagation delay' can even be negative! A simplified schematic of the QS5LV919 PLL circuit is shown below.

## SIMPLIFIED DIAGRAM OF QS5LV919 FEEDBACK



The phase difference between the output and the input frequencies feeds the VCO which drives the outputs. Whichever output is fed back, it will stabilize at the same frequency as the input. Hence, this is a true negative feedback closed loop system. In most applications, the output will optimally have zero phase shift with respect to the input. In fact, the internal loop filter on the QS5LV919 typically provides within 150ps of phase shift between input and output.

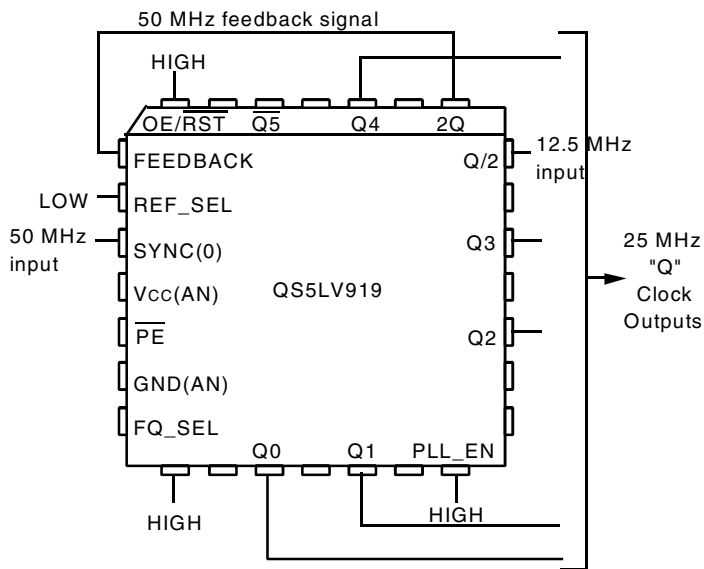
If the user wishes to vary the phase difference (typically to compensate for backplane delays), this is most easily accomplished by adding delay circuits to the feedback path. The respective output used for feedback will be advanced by the amount of delay in the feedback path. All other outputs will retain their proper relationships to that output.

The frequency relationship shown here is applicable to all Q outputs (Q0, Q1, Q2, Q3 and Q4).

**2:1 INPUT TO "Q" OUTPUT FREQUENCY RELATIONSHIP**

In this application, the 2Q output is connected to the FEEDBACK input. The internal PLL will line up the positive edges of 2Q and SYNC, thus the 2Q frequency will equal the SYNC frequency. The Q/2 output will always run at 1/4 the 2Q frequency, and the Q output will run at 1/2 the 2Q frequency.

Note that with 2Q as feedback, the maximum input frequency is 100MHz for FS = HIGH

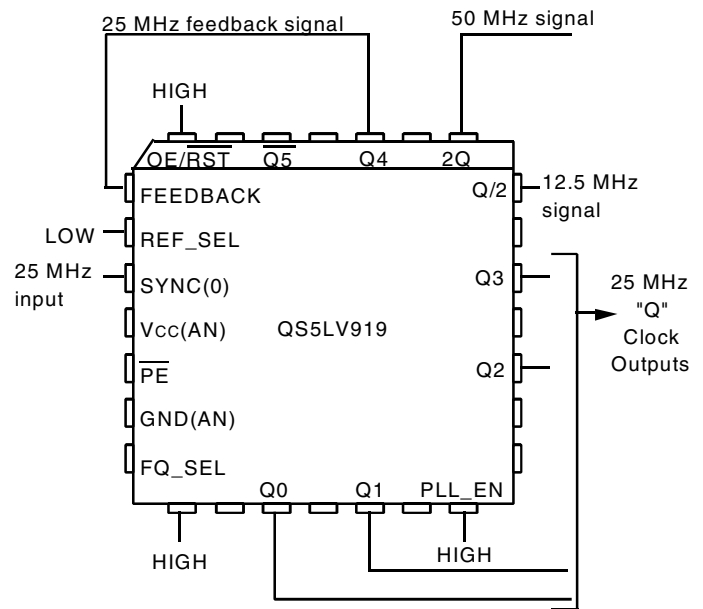


Allowable Input Frequency Range:  
 40MHz to (f2Q MAX Spec) (for FREQ\_SEL HIGH)  
 20MHz to (f2Q MAX Spec)/2 (for FREQ\_SEL LOW)

**Figure 2a. Wiring Diagram and Frequency Relationships with 2Q Output Feedback**

**1:1 INPUT TO "Q" OUTPUT FREQUENCY RELATIONSHIP**

In this application, the Q4 output is connected to the FEEDBACK input. The internal PLL will line up the positive edges of Q4 and SYNC, thus the Q4 frequency (and the rest of the "Q" outputs) will equal the SYNC frequency. The Q/2 output will always run at 1/2 the Q frequency, and the 2Q output will run at 2X the Q frequency.

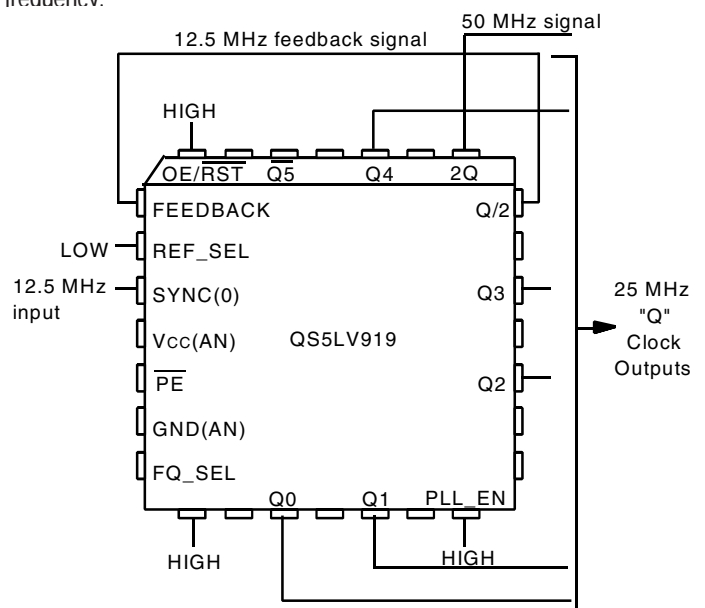


Allowable Input Frequency Range:  
 20MHz to (f2Q MAX Spec)/2 (for FREQ\_SEL HIGH)  
 10MHz to (f2Q MAX Spec)/4 (for FREQ\_SEL LOW)

**Figure 2b. Wiring Diagram and Frequency Relationships with Q4 Output Feedback**

**1:2 INPUT TO "Q" OUTPUT FREQUENCY RELATIONSHIP**

In this application, the Q/2 output is connected to the FEEDBACK input. The internal PLL will line up the positive edges of Q/2 and SYNC, thus the Q/2 frequency will equal the SYNC frequency. The Q outputs (Q0-Q4, Q5) will always run at 2X the Q/2 frequency, and the 2Q output will run at 4X the Q/2 frequency.



Allowable Input Frequency Range:  
 10MHz to (f2Q MAX Spec)/4 (for FREQ\_SEL HIGH)  
 5MHz to (f2Q MAX Spec)/8 (for FREQ\_SEL LOW)

**Figure 2c. Wiring Diagram and Frequency Relationships with Q2 Output Feedback**



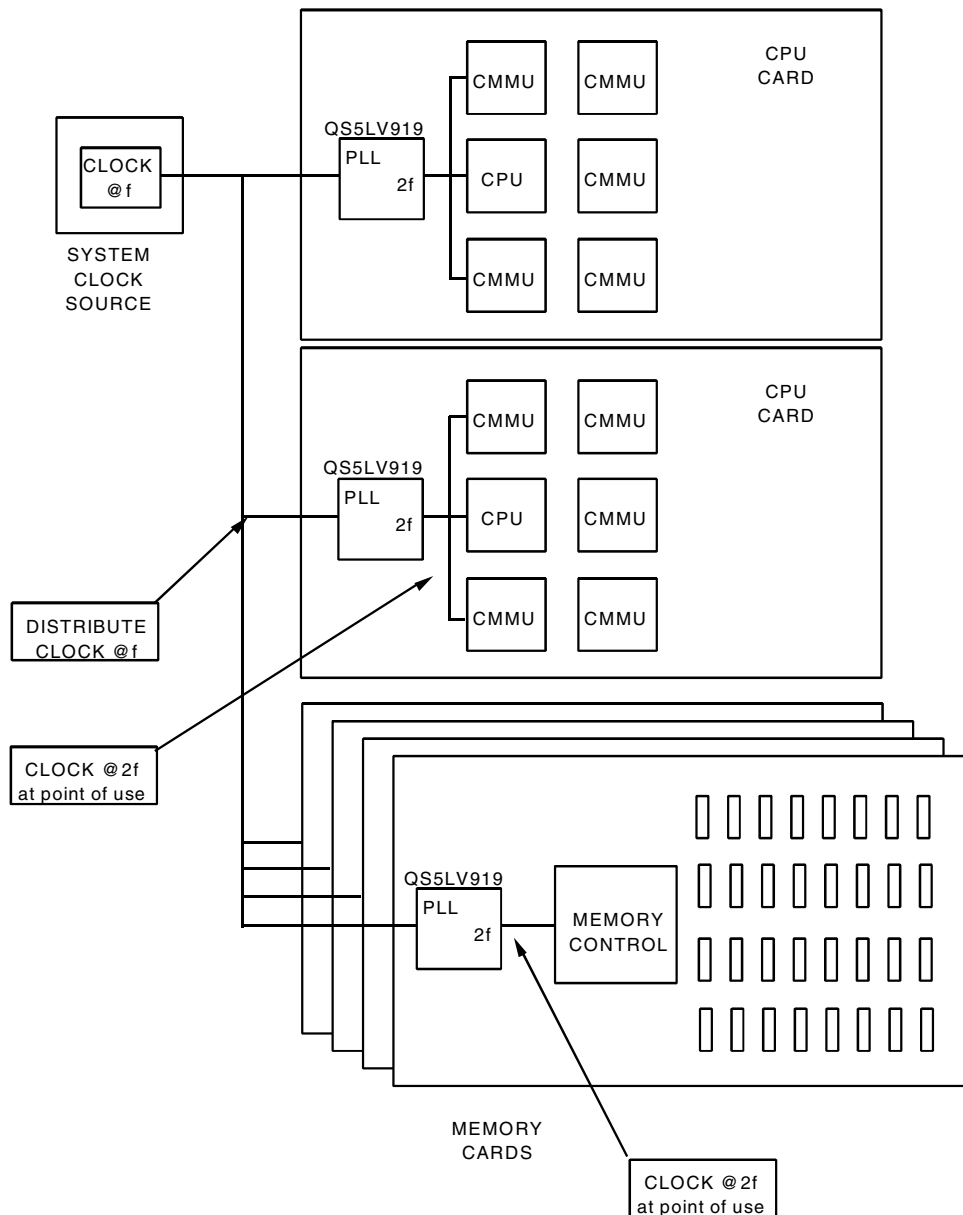


Figure 3. Multiprocessing Application Using the QS5LV919 for Frequency Multiplication and Low Board-to-Board skew

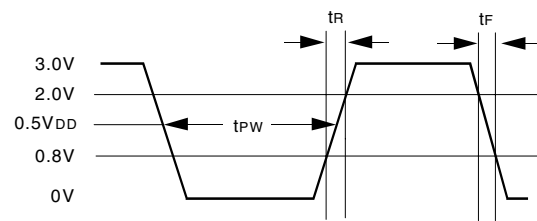
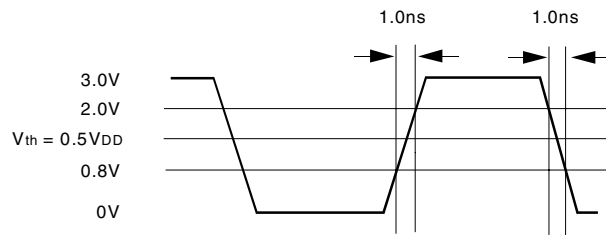
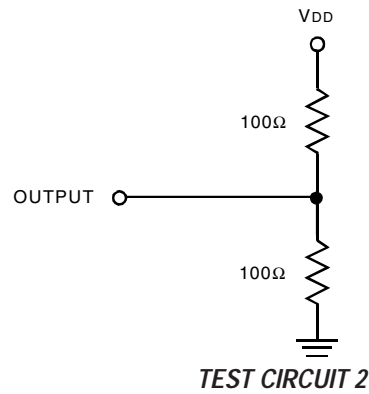
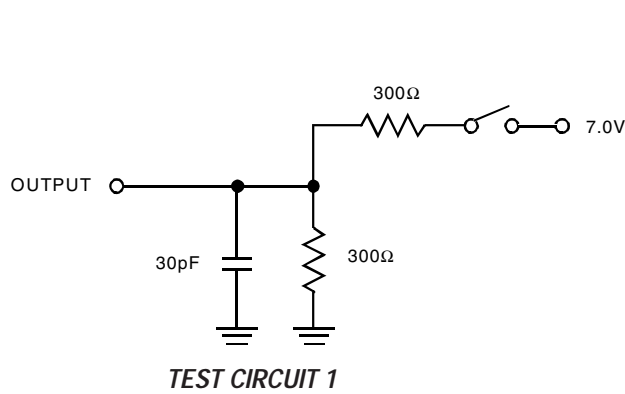
### QS5LV919 System Level Testing Functionality

When the PLL\_EN pin is LOW, the PLL is bypassed and the QS5LV919 is in low frequency "test mode". In test mode (with `FREQ_SEL` HIGH), the 2Q output is inverted from the selected SYNC input, and the Q outputs are divide-by-2 (negative edge triggered) of the SYNC input, and the Q/2 output is divide-by-4 (negative edge triggered). With `FREQ_SEL` LOW the 2Q output is divide-by-2 of the SYNC, the Q outputs divide-by-4, and the Q/2 output divide-by-8.

These relationships can be seen in the block diagram. A recommended test configuration would be to use SYNC0 or SYNC1 as the test clock input, and tie PLL\_EN and REF\_SEL together and connect them to the test select logic.

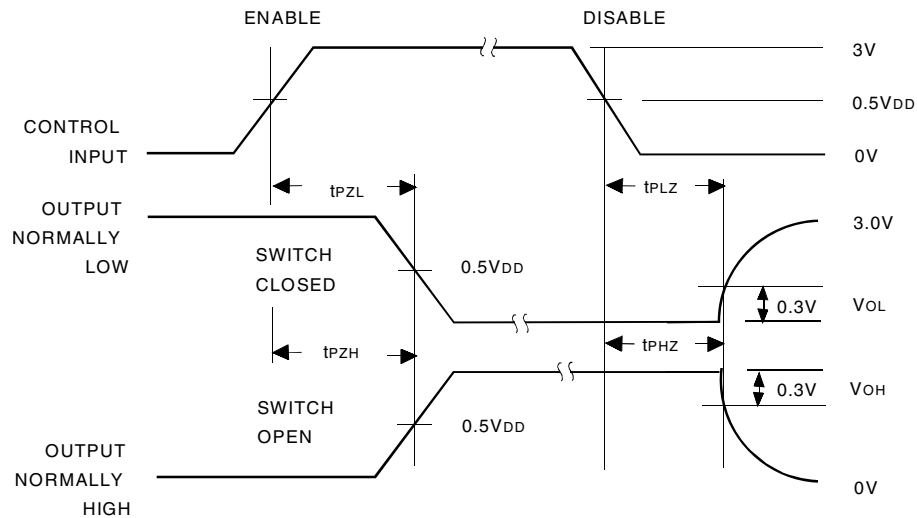
This functionality is needed since most board-level testers run at 1 MHz or below, and the QS5LV919 cannot lock onto that low of an input frequency. In the test mode described above, any test frequency test can be used.

## AC TEST LOADS AND WAVEFORMS



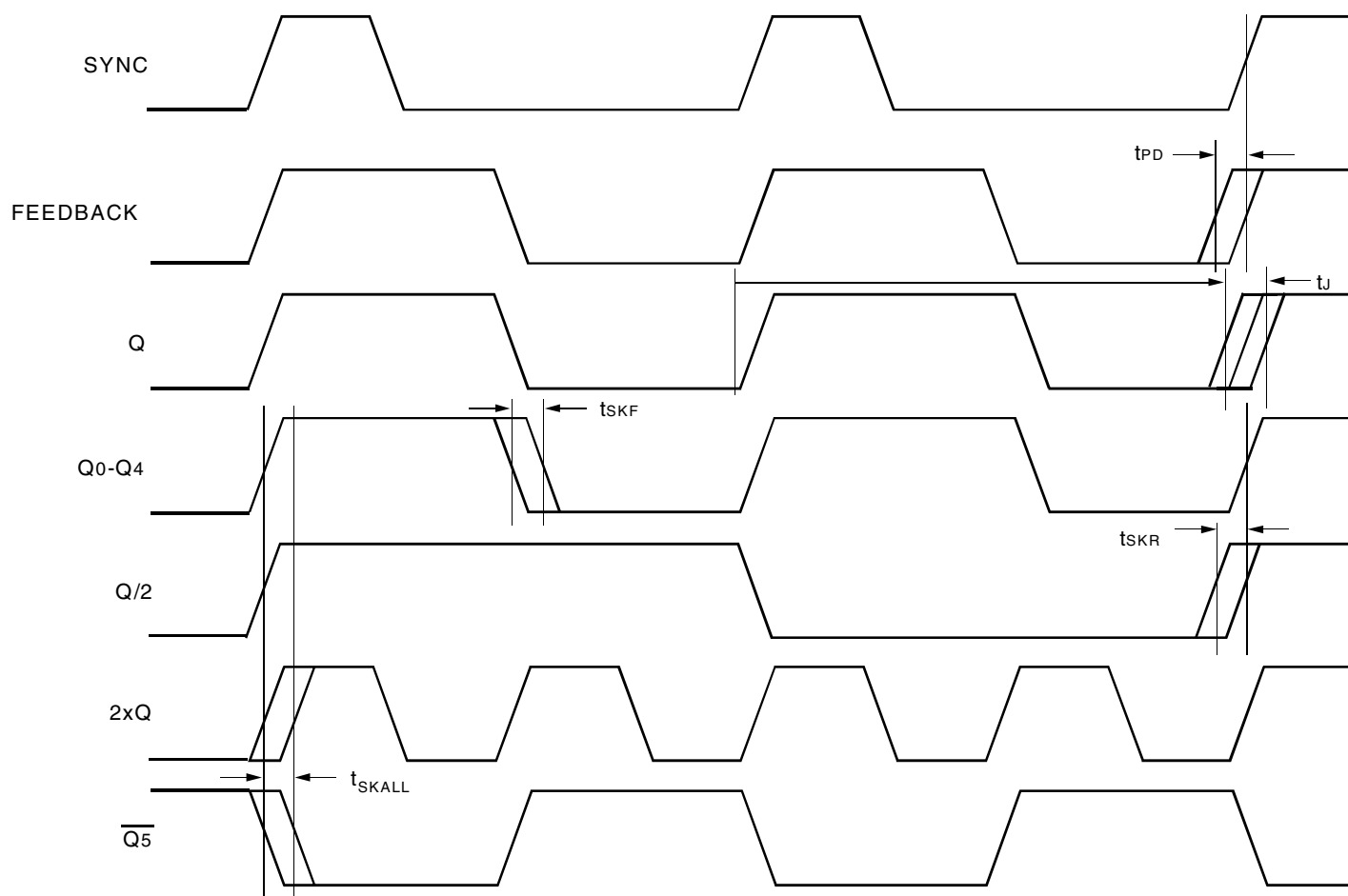
**LVTTL INPUT TEST WAVEFORM**

**LVTTL OUTPUT WAVEFORM**



TEST CIRCUIT 1 is used for output enable/disable parameters.  
TEST CIRCUIT 2 is used for all other timing parameters.

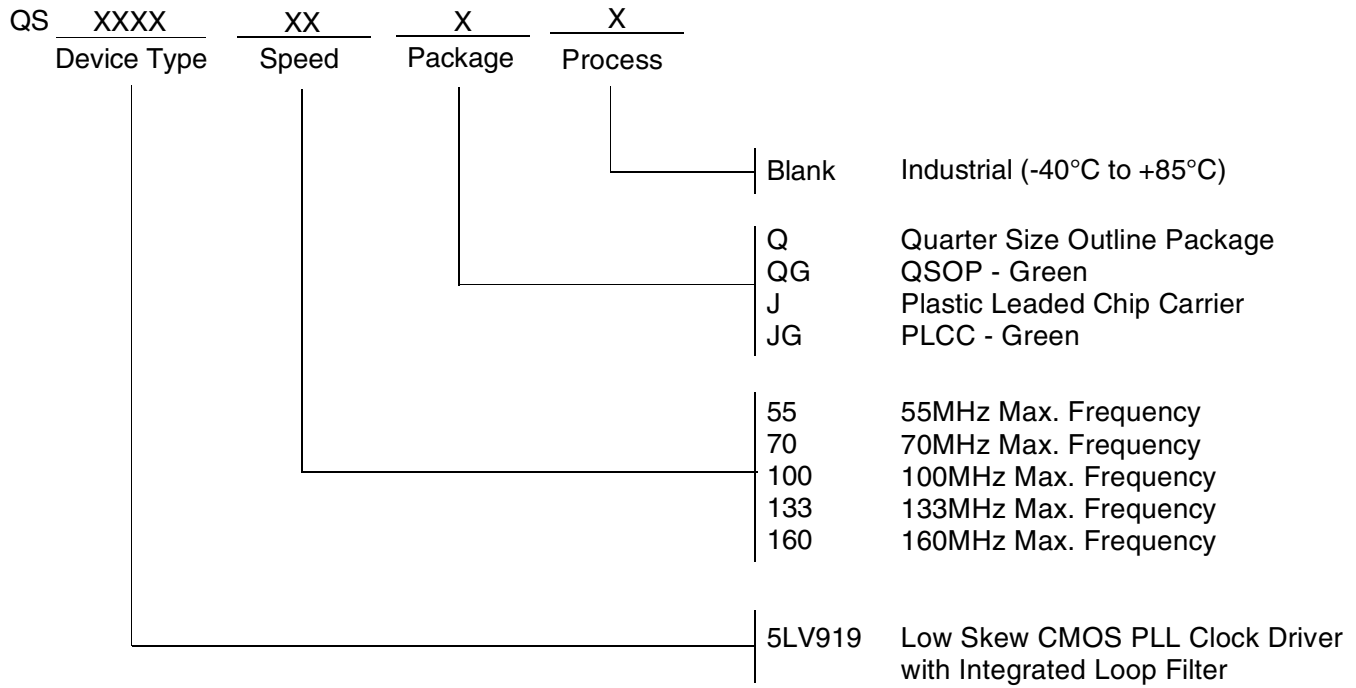
## AC TIMING DIAGRAM



### NOTES:

1. AC Timing Diagram applies to Q output connected to FEEDBACK and PE = GND. For PE = V<sub>DD</sub>, the negative edge of FEEDBACK aligns with the negative edge of SYNC input, and the negative edges of the multiplied and divided outputs align with the negative edge of SYNC.
2. All parameters are measured at 0.5V<sub>DD</sub>.

**ORDERING INFORMATION**



**CORPORATE HEADQUARTERS**  
 6024 Silver Creek Valley Road  
 San Jose, CA 95138

**for SALES:**  
 800-345-7015 or 408-284-8200  
 fax: 408-284-2775  
[www.idt.com](http://www.idt.com)

**for Tech Support:**  
[logichelp@idt.com](mailto:logichelp@idt.com)