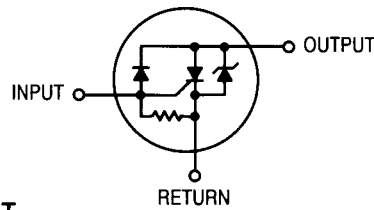


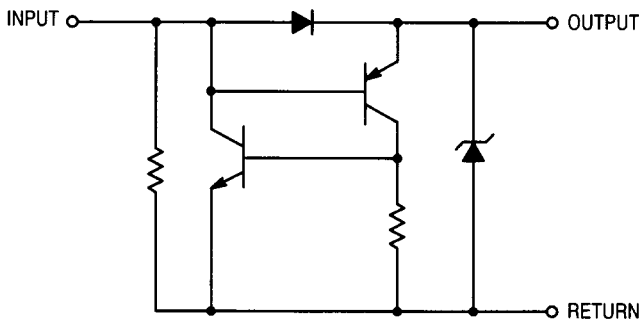
**SMALLBLOCK™ Products  
MOSFET Turn-Off Device  
With Integral Gate Clamp**

The MDC1000 series is a silicon turn-off device designed to reduce the turn-off time of a MOSFET or an IGBT. It also clamps the MOSFET gate voltage to a safe level. This device eliminates the use of individual components by integrating them into a single device. The use of the MDC1000 series can reduce system cost and board space, while optimizing the switching performance of the MOSFET. The MOSFET Turn-Off Device is a member of the SMALLBLOCK family.

- Output Voltage Clamped to 12.5 Volts to Protect the MOSFET Gate
- Very Fast Turn-Off Time, 15 Nanoseconds Typical
- Simplifies Circuit Design
- Reduces Board Space
- Three Package Styles: TO-92 for Insertion, SOT-23 and SOT-223 for Surface Mount
- Applications Literature: EB-142; The MOSFET Turn-Off Device, A New Circuit Building Block; AN1078; New Components Simplify Brush DC Motor Drives; AN1087; Speeding up Horizontal Outputs; AN1101; One-Horsepower Off-Line Brushless Permanent Magnet Motor Drive



**MDC1000A,BLT1,CT1 EQUIVALENT CIRCUIT**



**MDC1000A**

- 1-Return
- 2-Input
- 3-Output

**MDC1000BLT1**

- 1-Return
- 2-Output
- 3-Input

**MDC1000CT1**

- 1-Return
- 2-Input
- 3-Output
- 4-Input

**ORDERING INFORMATION**

Device	Reel Size	Packaging	Quantity
MDC1000A	—	bulk	1000
MDC1000ARLRM	—	ammo pack	2000
MDC1000BLT1	7"	8 mm embossed tape	3000
MDC1000BLT3	13"		10000
MDC1000CT1	7"	12 mm embossed tape	1000
MDC1000CT3	13"		4000

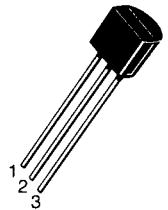
SMALLBLOCK is a trademark of Motorola Inc.  
Thermal Clad is a registered trademark of the Bergquist Company

Preferred devices are Motorola recommended choices for future use and best overall value.

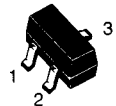
**MDC1000A  
MDC1000BLT1  
MDC1000CT1**

Motorola preferred devices

**TURN-OFF DEVICE  
FOR  
POWER MOSFETs**



**MDC1000A  
CASE 29-04, STYLE 33  
TO-226AA (TO-92)**



**MDC1000BLT1  
CASE 318-07, STYLE 22  
TO-236AB (SOT-23)**



**MDC1000CT1  
CASE 318E-04, STYLE 6  
TO-261AA (SOT-223)**



**MAXIMUM RATINGS** ( $T_A = 25^\circ\text{C}$  unless otherwise specified)

Rating	Symbol	Value	Unit
Input — Continuous	$I_{IN}$	50	mA
Input — Current Peak (Pulse Width = 20 $\mu\text{s}$ , Duty Cycle $\leq 2\%$ )	$I_{INM}$	500	mA
Thermal Resistance — Junction to Ambient MDC1000A MDC1000BLT1 MDC1000CT1	$R_{\theta JA}$	0.227 0.625 0.227	$^\circ\text{C}/\text{mW}$
Total Power Dissipation @ $T_A = 25^\circ\text{C}$ MDC1000A MDC1000BLT1* MDC1000CT1*	$P_D$	550 200 550	mW
Derate above $25^\circ\text{C}$ MDC1000A MDC1000BLT1* MDC1000CT1*		1.82 5.7 1.82	$\text{mW}/^\circ\text{C}$
Operating and Storage Temperature Range	$T_J, T_{stg}$	- 65 to +150	$^\circ\text{C}$
Lead Soldering Temperature**	$T_L$	260	$^\circ\text{C}$

\*Device mounted on an FR-5 printed circuit board 1.0 x 0.75 x 0.062 inches using footprint shown on Page 10.  
\*\*Additional information on soldering of the MDC1000BLT1,CT1 surface mount packages is shown on Page 10.

**DEVICE MARKING**

MDC1000A	MDC1000
MDC1000BLT1	C10
MDC1000CT1	C1000

**ELECTRICAL CHARACTERISTICS** ( $T_A = 25^\circ\text{C}$  unless otherwise noted)

Characteristic	Symbol	Min	Typ	Max	Unit
Input Clamp Voltage [Note 1] $(I_{IN} = 2.0 \text{ mA})$ $(I_{IN} = 50 \text{ mA})$	$V_{in}$	9.5 9.5	11 11.2	12 12.5	Vdc
Output Clamp Voltage [Note 2] $(I_{OUT} = 2.0 \text{ mA})$ $(I_{OUT} = 50 \text{ mA})$	$V_{out}$	9.0 9.0	10.4 10.8	11.5 12	Vdc
Turn-Off Time (1000 pF, from 9.0 V to 1.0 V) See Figures 1 and 2	$t_{off}$	—	15	—	ns
Storage Time	$t_s$	—	60	—	ns
Propagation Delay	$t_{prop}$	—	5.0	—	ns
Input Capacitance @ 10 Volts, $f = 1.0 \text{ MHz}$	$C_{in}$	—	5.0	—	pF
Dropout Current [Note 4]	$I_{(sus)}$	50	110	—	$\mu\text{A}$

- [1] Input pin (+) to return pin(-) with output pin open.
- [2] Input and output pins common(+) to return pin(-).
- [3] MDC1000s should be mounted as close as possible to the MOSFET being controlled to minimize noise difficulties. In particular, the return lead should have as short a run to the MOSFET source lead as possible. Also, Kelvin connections between the MDC1000 return lead and the MOSFET source lead will enhance noise immunity.
- [4] Output Current level below which MTO must fall to insure driver MOSFET will turn back on.

**SWITCHING**

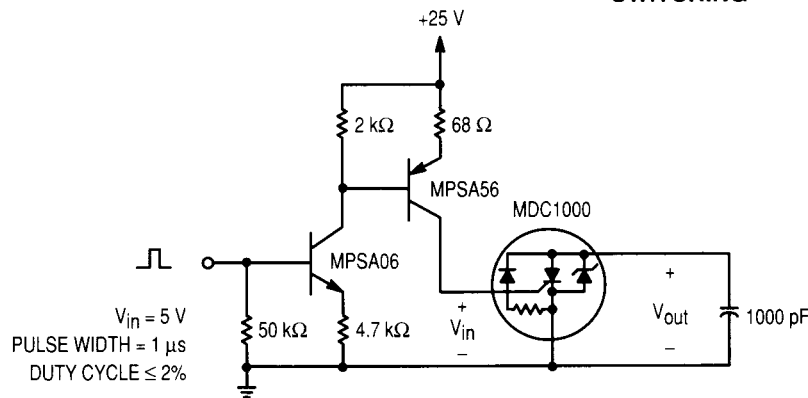


Figure 1. Turn-Off Time Test Circuit

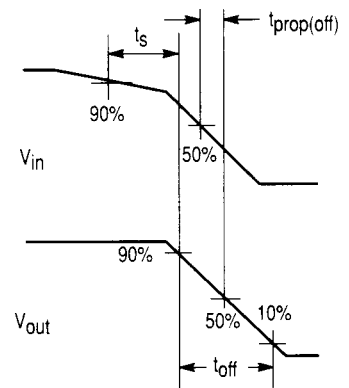
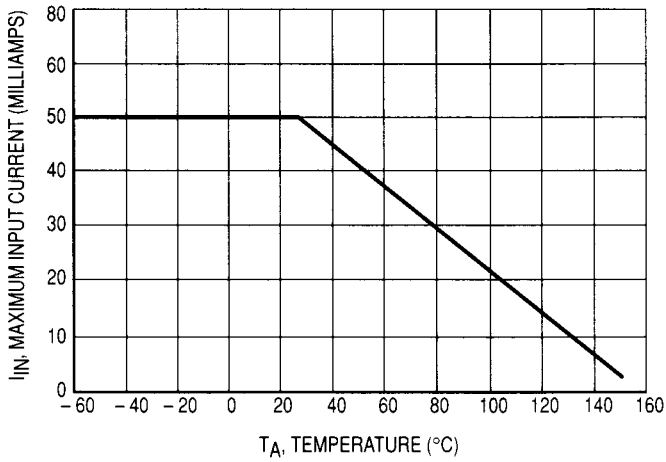
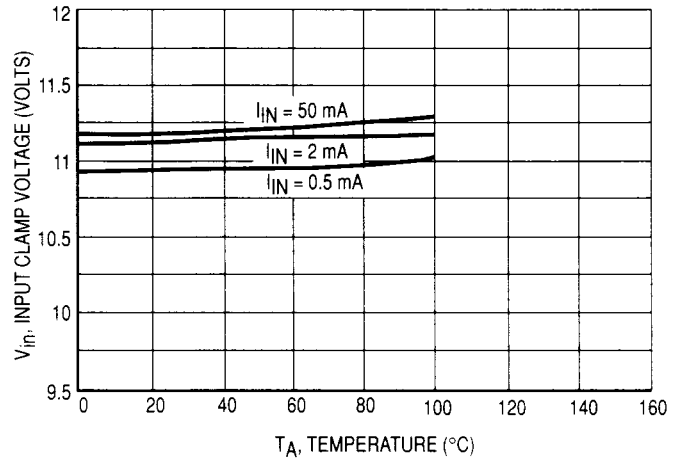


Figure 2. Turn-Off Waveforms

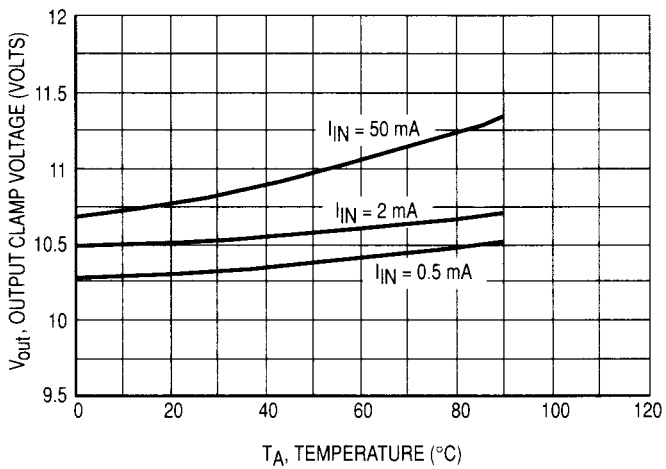
## TYPICAL CHARACTERISTICS



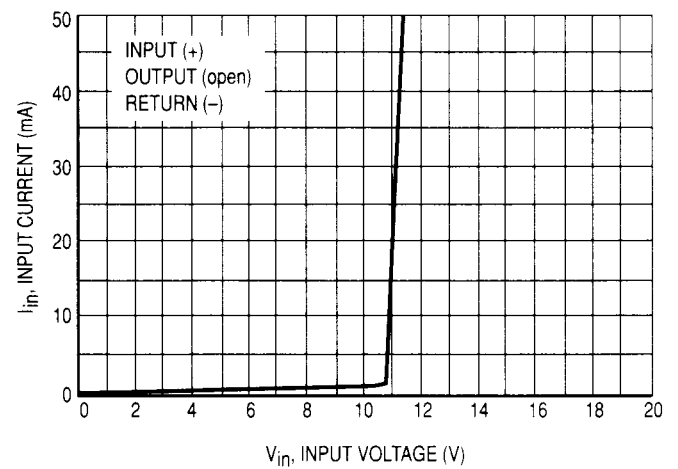
**Figure 3. Allowable Input Current versus Ambient Temperature**



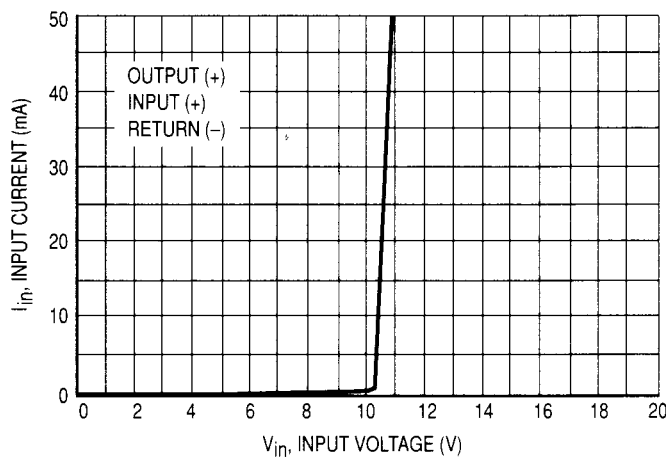
**Figure 4. Input Clamp Voltage versus Ambient Temperature**



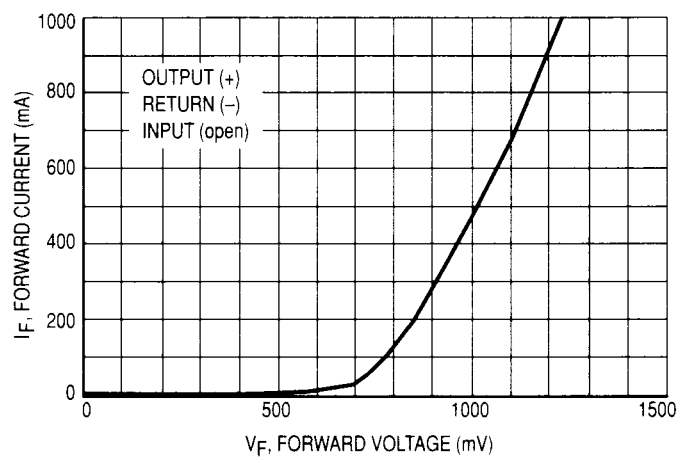
**Figure 5. Output Clamp Voltage versus Ambient Temperature**



**Figure 6. Input Characteristics**

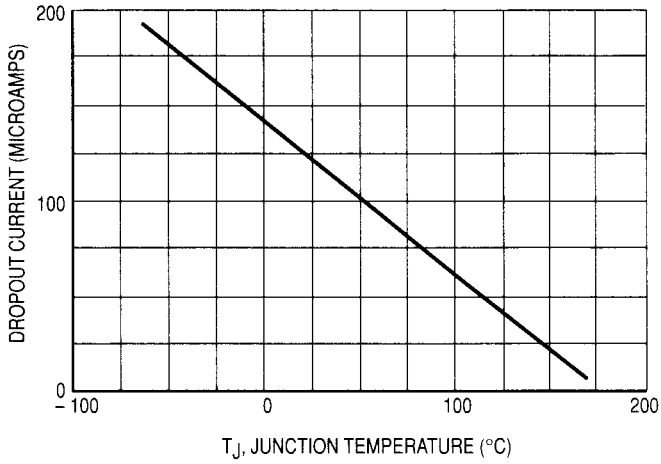


**Figure 7. Output Characteristics**

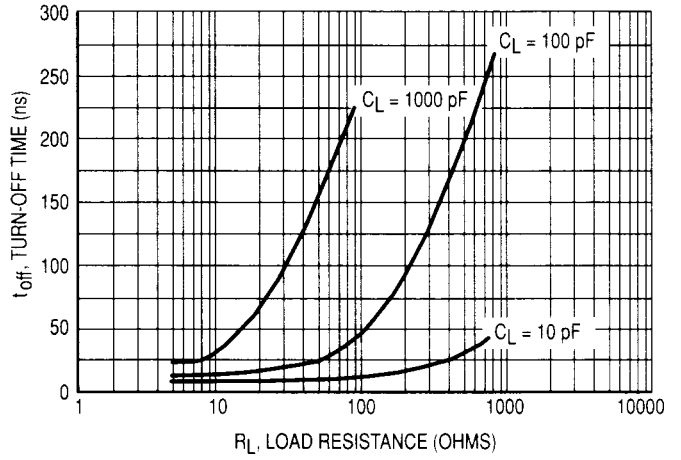


**Figure 8. Forward Voltage Drop**

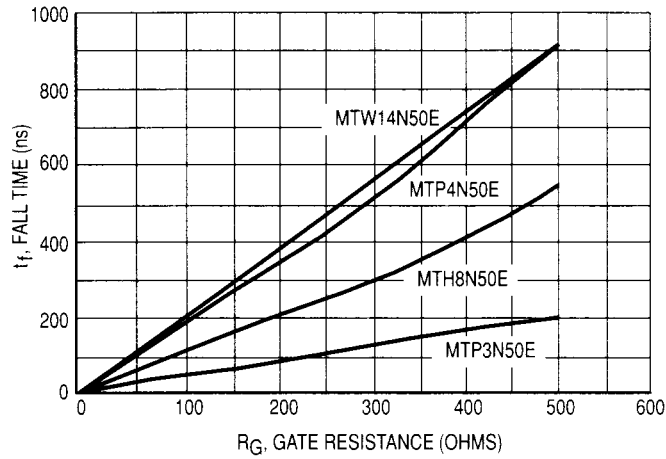
## TYPICAL CHARACTERISTICS



**Figure 9. Dropout Current versus Temperature**



**Figure 10. t<sub>off</sub> versus Load Resistance/  
Load Capacitance**



**Figure 11. MOSFET Fall Time versus Gate Resistance**

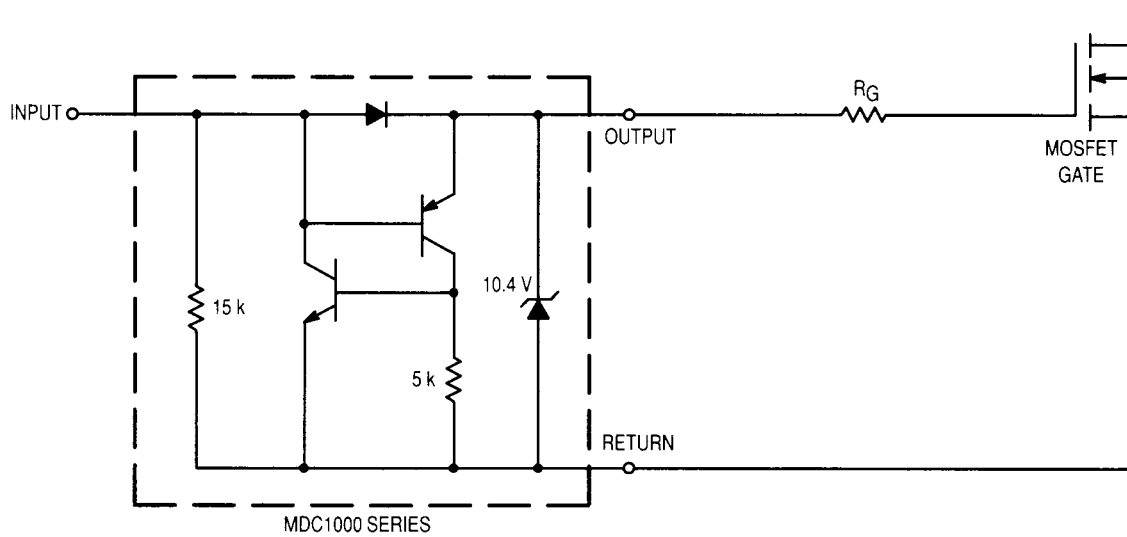
## OPERATING DESCRIPTION

The MDC1000 series provides an economical and space saving method of turning off a power MOSFET while achieving a level of circuit improvement at the same time. It reduces the component count of an active gate turn-off network for MOSFETs. The device quickly discharges the gate-source and gate-drain capacitances when the input signal is removed and provides protection of the gate-source in the event of an overvoltage condition on the control line.

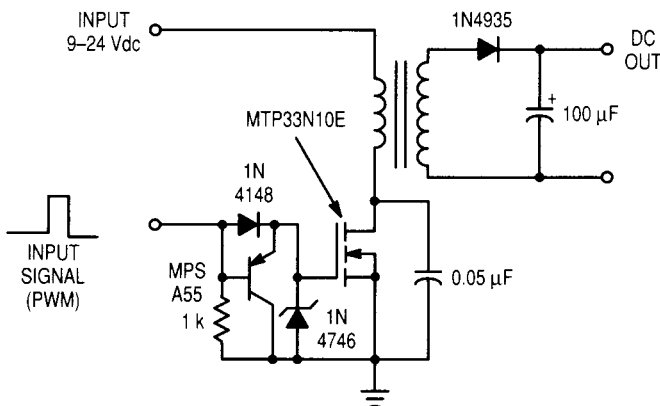
To turn a MOSFET off, it is necessary to discharge the input capacitance to drive the gate-source voltage to below  $V_{GS(th)}$ . Turning on a MOSFET is fairly straight-forward, but turning it off frequently calls for some form of active turn-off network to help speed up the turn-off process. Typically, this

has been achieved with a network comprised of several active and passive components. The effect of the turn-off network is to provide a low impedance discharge path for the MOSFET input capacitance and therefore speed up its turn-off.

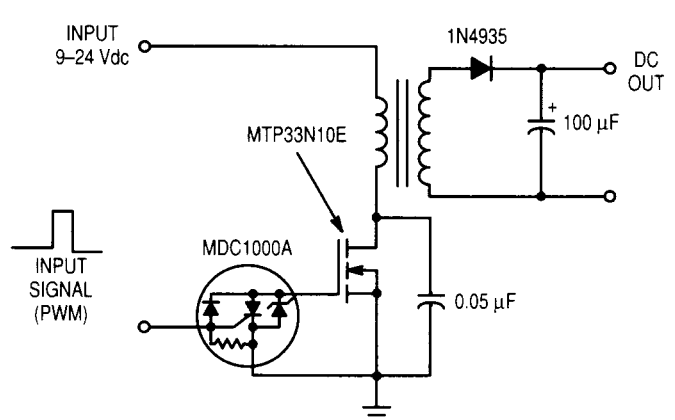
Instead of a single PNP transistor which is commonly used for the turn-off function, an NPN has been added and is connected to the PNP in the configuration of an SCR. This combination provides the regenerative turn-on action of an SCR, further speeding up the process of discharging the gate of the MOSFET. It also contains an integral 10.4 volt zener diode, providing the MOSFET gate with overvoltage protection. Using the MDC1000 series, a power MOSFET can typically be turned off in tens of nanoseconds.



**Figure 12. Recommended Gate Drive Circuit**



**Figure 13a. Utilizing Discrete Components**



**Figure 13b. Utilizing MDC1000A**

**Figure 13. Active MOSFET Gate Turn-Off Circuit**

## TYPICAL APPLICATIONS UTILIZING THE MDC1000A

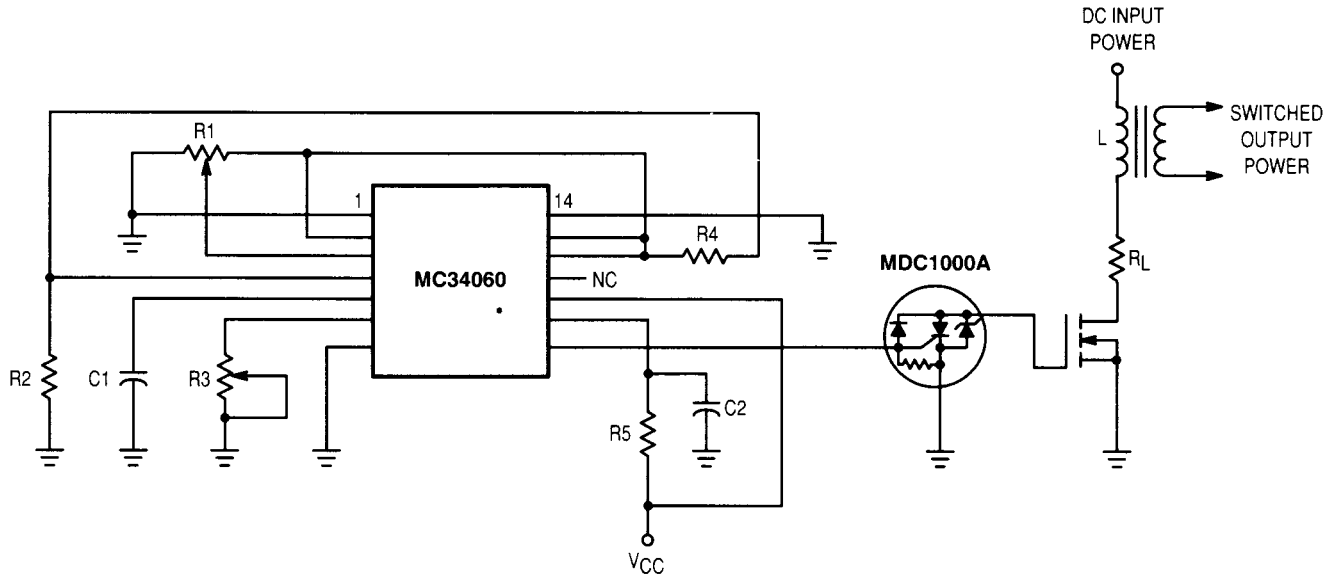


Figure 14. PWM Portion of Switchmode Power Supply for Power MOSFET Gate Control

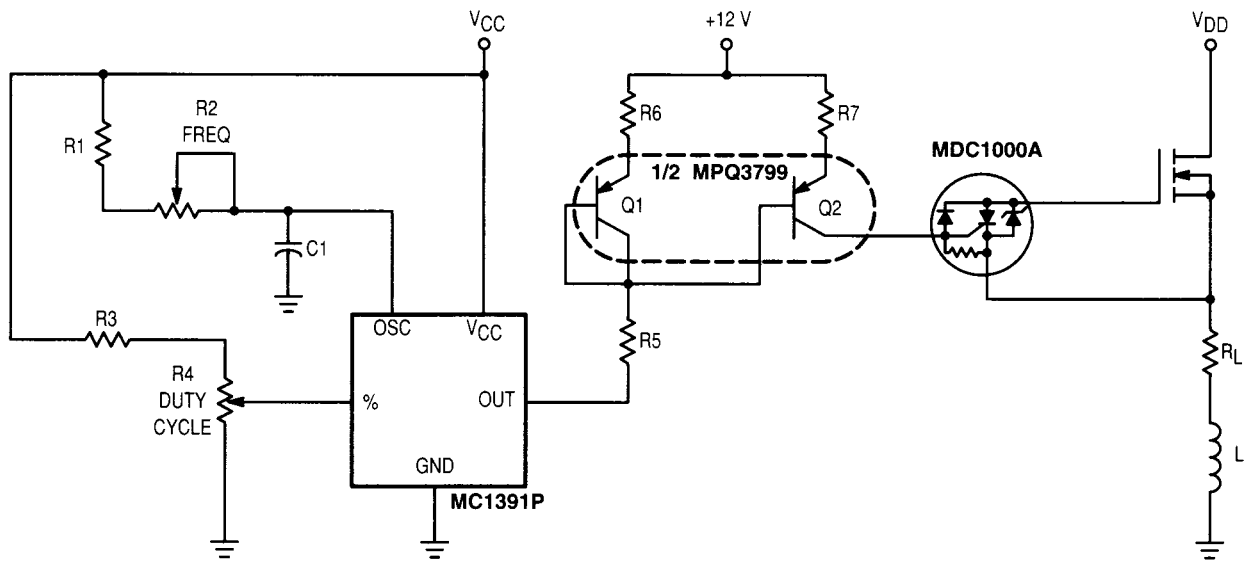


Figure 15. Horizontal Gain Circuit for Power MOSFET Gate Control and PNP Current Mirror for Gate Drive Circuit

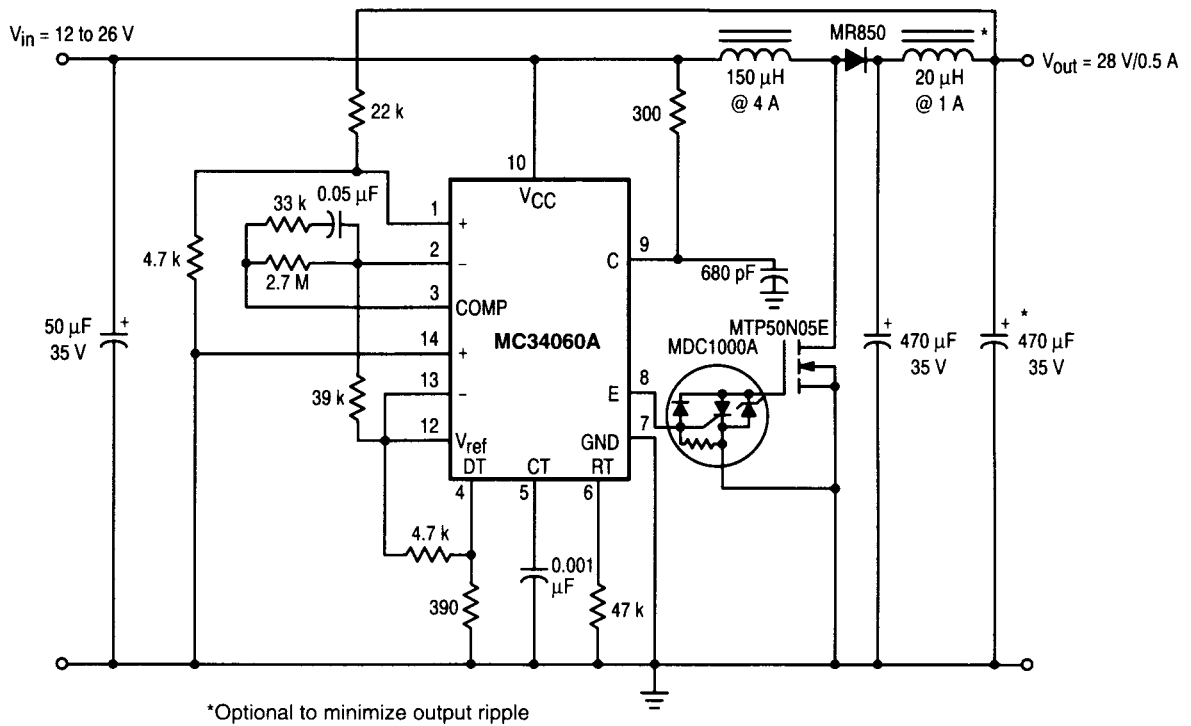


Figure 16. DC-DC Converter

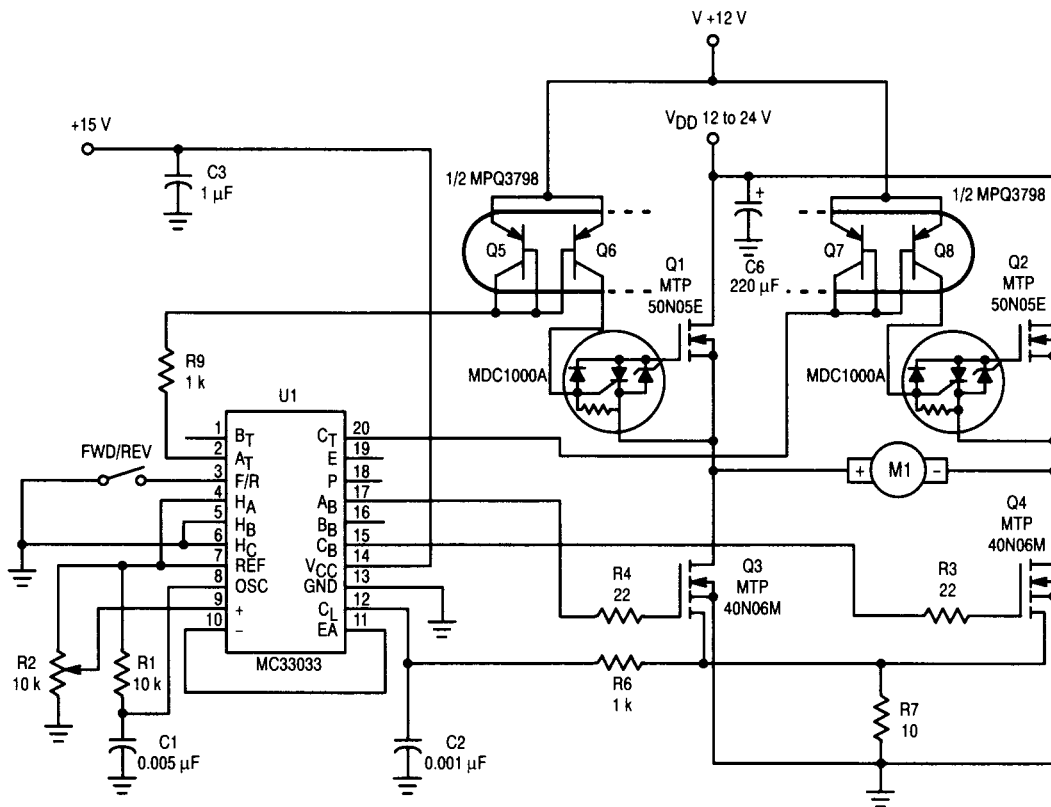
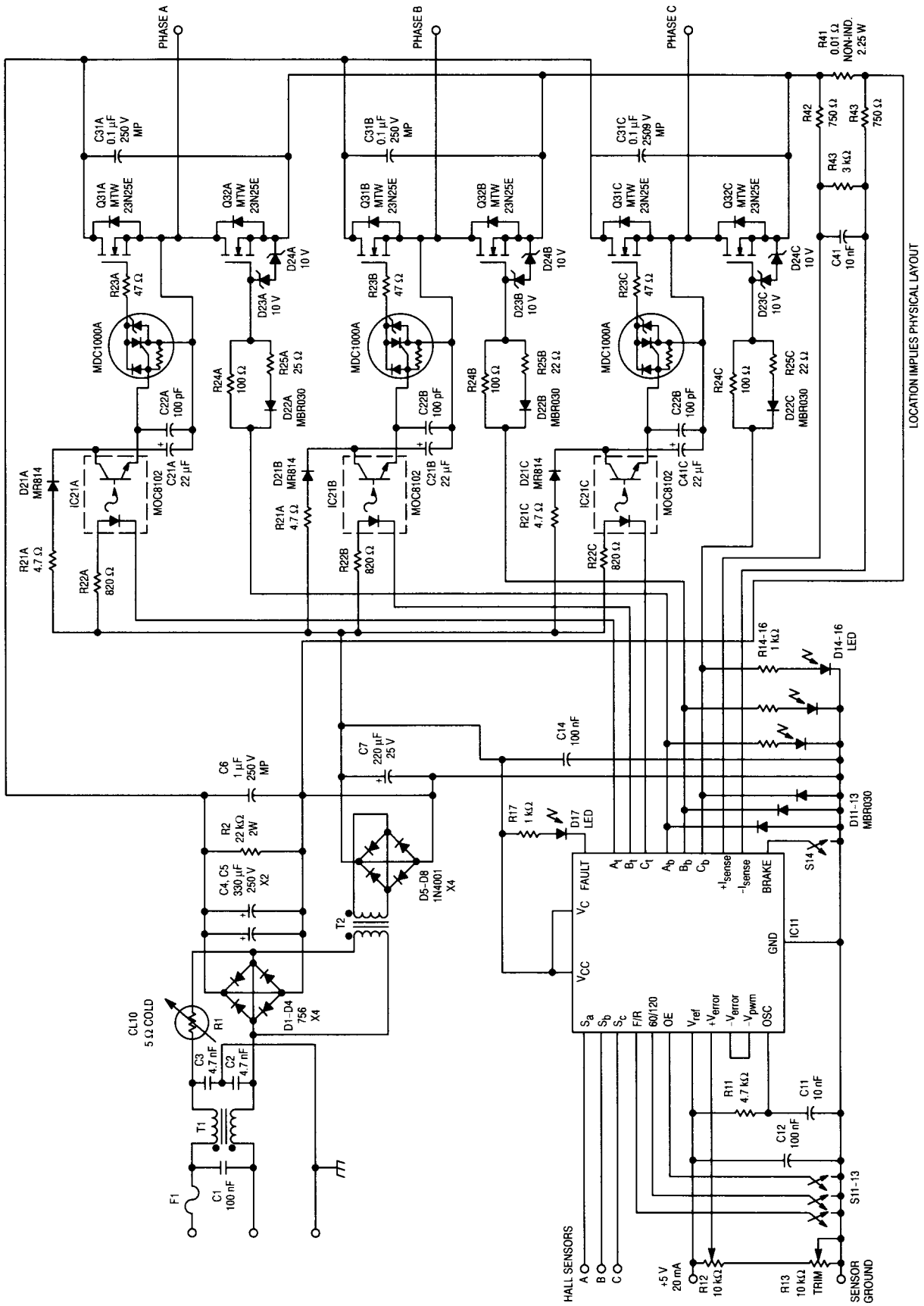


Figure 17. DC Motor Control Utilizing High Side MOSFET Switches







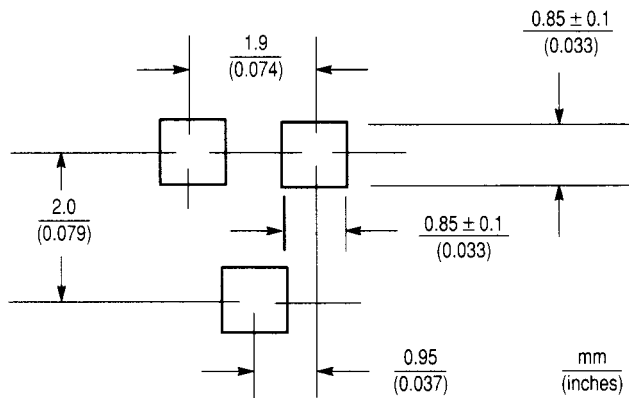
LOCATION IMPLIES PHYSICAL LAYOUT

Figure 19. Optoisolated Brushless DC Motor Drive

## INFORMATION FOR USING THE SOT-23 AND SOT-223 SURFACE MOUNT PACKAGES

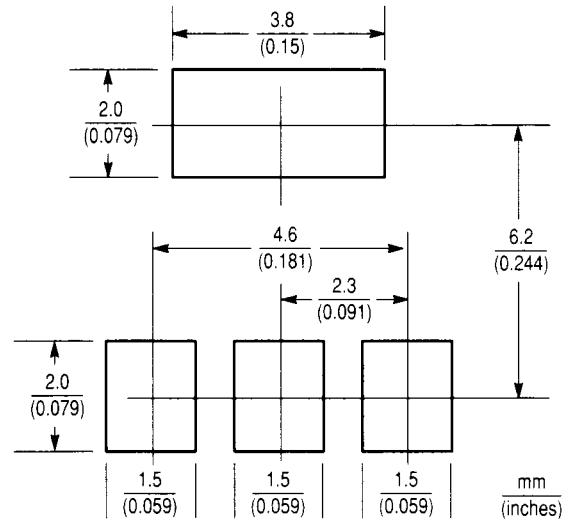
### MINIMUM RECOMMENDED FOOTPRINTS FOR SURFACE MOUNTED APPLICATIONS

Surface mount board layout is a critical portion of the total design. The footprint for the semiconductor packages must be the correct size to insure proper solder connection interface



**SOT-23**

between the board and the package. With the correct pad geometry, the packages will self align when subjected to a solder reflow process.



**SOT-223**

### SOT-23 AND SOT-223 POWER DISSIPATION

The power dissipation for the SOT-23 (MDC1000BLT1) and the SOT-223 (MDC1000CT1) is a function of the input pad size. These can vary from the minimum pad size for soldering to the pad size given for maximum power dissipation. Power dissipation for a surface mount device is determined by  $T_{J(max)}$ , the maximum rated junction temperature of the die,  $R_{\theta JA}$ , the thermal resistance from the device junction to ambient; and the operating temperature,  $T_A$ . Using the values provided on the data sheet for the SOT-223 package,  $P_D$  can be calculated as follows:

$$P_D = \frac{T_{J(max)} - T_A}{R_{\theta JA}}$$

The values for the equation are found in the maximum ratings table on the data sheet. Substituting these values into the

equation for an ambient temperature  $T_A$  of 25°C, one can calculate the power dissipation of the device which in this case is 550 milliwatts.

$$P_D = \frac{150^\circ\text{C} - 25^\circ\text{C}}{227^\circ\text{C/W}} = 550 \text{ milliwatts}$$

The 227°C/W for the SOT-223 package assumes the recommended collector pad area of 11,850 mil<sup>2</sup> on a glass epoxy printed circuit board to achieve a power dissipation of 550 milliwatts using the footprint shown. Another alternative would be to use a ceramic substrate or an aluminum core board such as Thermal Clad™. Using a board material such as Thermal Clad, a power dissipation of 1.1 watts can be achieved using the same footprint. The same assumptions can be applied to the SOT-23 package.

### MOUNTING PRECAUTIONS

The melting temperature of solder is higher than the rated temperature of the device and the entire device is heated to a high temperature; therefore failure to complete soldering within a short time could result in device failure. Therefore, the following items should always be observed in order to minimize the thermal stress to which the devices are subjected.

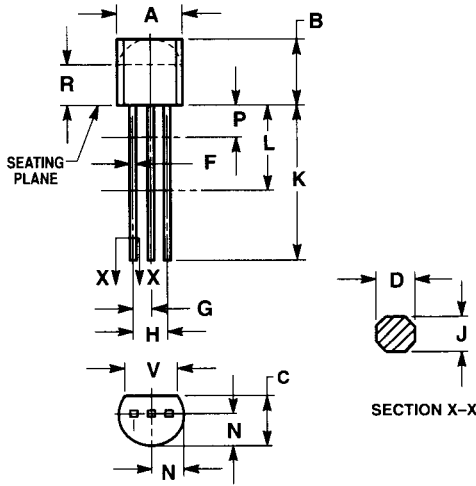
- Always preheat the device
- The delta temperature between the preheat and soldering should be 100°C or less\*
- When preheating and soldering, the temperature of the leads and the case must not exceed the maximum temperature ratings as shown on the data sheet. When using infrared heating with the reflow soldering method, the difference in temperatures of the case and the leads shall be Δ10°C or less.

- The soldering temperature and time shall not exceed 260°C for more than 10 seconds.
- When shifting from preheating to soldering, the maximum temperature gradient shall be 5°C or less.
- After soldering has been completed, the device should be allowed to cool naturally for three minutes or more. Gradual cooling should be used as the use of forced cooling will increase the temperature gradient and result in latent mechanical stress.
- Mechanical stress or shock should not be applied during cooling.

\* Soldering a device without preheating can cause excessive thermal shock and stress which can result in damage to the device.

# OUTLINE DIMENSIONS

## CASE 29-04 TO-226AA (TO-92)

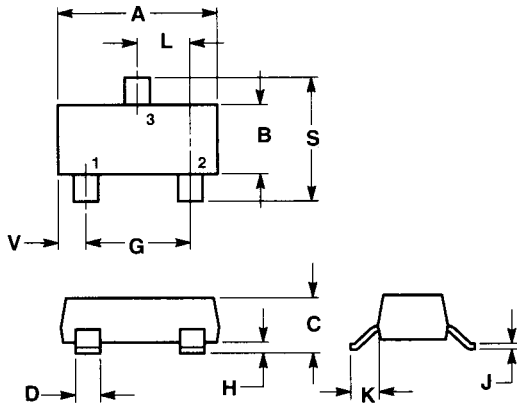


STYLE 33:  
PIN 1. RETURN  
2. INPUT  
3. OUTPUT

- NOTES:
1. DIMENSIONING AND TOLERANCING PER ANSI Y14.5M, 1982.
  2. CONTROLLING DIMENSION: INCH.
  3. CONTOUR OF PACKAGE BEYOND DIM R IS UNCONTROLLED.
  4. DIM F APPLIES BETWEEN P AND L. DIM D AND J APPLIES BETWEEN L AND K MINIMUM. LEAD DIM IS UNCONTROLLED IN P AND BEYOND DIM K MINIMUM.
  5. 029-01 AND -02 OBSOLETE, NEW STANDARD 029-04.

DIM	MILLIMETERS		INCHES	
	MIN	MAX	MIN	MAX
A	4.45	5.20	0.175	0.205
B	4.32	5.33	0.170	0.210
C	3.18	4.19	0.125	0.165
D	0.41	0.55	0.016	0.022
F	0.41	0.48	0.016	0.019
G	1.15	1.39	0.045	0.055
H	2.42	2.66	0.095	0.105
J	0.39	0.50	0.015	0.020
K	12.70	—	0.500	—
L	6.35	—	0.250	—
N	2.04	2.66	0.080	0.105
P	—	2.54	—	0.100
R	2.93	—	0.115	—
V	3.43	—	0.135	—

## CASE 318-07 TO-236AB (SOT-23)

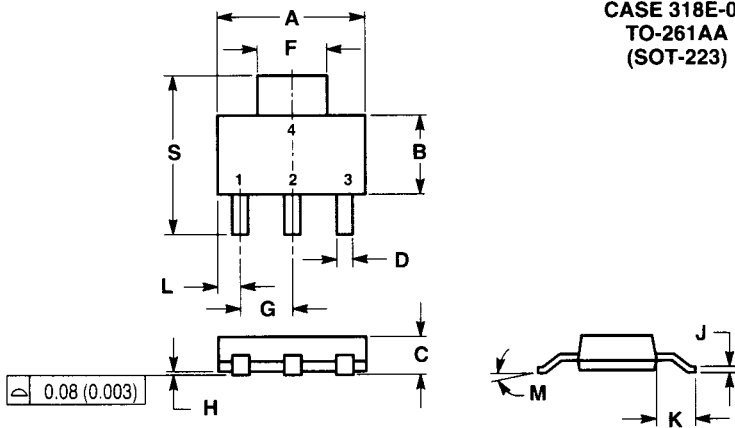


STYLE 22:  
PIN 1. RETURN  
2. OUTPUT  
3. INPUT

- NOTES:
1. DIMENSIONING AND TOLERANCING PER ANSI Y14.5M, 1982.
  2. CONTROLLING DIMENSION: INCH.
  3. MAXIMUM LEAD THICKNESS INCLUDES LEAD FINISH THICKNESS. MINIMUM LEAD THICKNESS IS THE MINIMUM THICKNESS OF BASE MATERIAL.
  4. 318-03 OBSOLETE, NEW STANDARD 318-07.

DIM	MILLIMETERS		INCHES	
	MIN	MAX	MIN	MAX
A	2.80	3.04	0.1102	0.1197
B	1.20	1.40	0.0472	0.0551
C	0.89	1.11	0.0350	0.0440
D	0.37	0.50	0.0150	0.0200
G	1.78	2.04	0.0701	0.0807
H	0.013	0.100	0.0005	0.0040
J	0.085	0.177	0.0034	0.0070
K	0.45	0.60	0.0180	0.0236
L	0.89	1.02	0.0350	0.0401
S	2.10	2.50	0.0830	0.0984
V	0.45	0.60	0.0177	0.0236

## CASE 318E-04 TO-261AA (SOT-223)



STYLE 6:  
PIN 1. RETURN  
2. INPUT  
3. OUTPUT  
4. INPUT

- NOTES:
1. DIMENSIONING AND TOLERANCING PER ANSI Y14.5M, 1982.
  2. CONTROLLING DIMENSION: MILLIMETERS.
  3. 318E-01 THRU -03 OBSOLETE, NEW STANDARD 318E-04.

DIM	MILLIMETERS		INCHES	
	MIN	MAX	MIN	MAX
A	6.30	6.70	0.249	0.263
B	3.30	3.70	0.130	0.145
C	1.50	1.75	0.060	0.068
D	0.60	0.89	0.024	0.035
F	2.90	3.20	0.115	0.126
G	2.20	2.40	0.087	0.094
H	0.020	0.100	0.0008	0.0040
J	0.24	0.35	0.009	0.014
K	1.50	2.00	0.060	0.078
L	0.85	1.05	0.033	0.041
M	0°	10°	0°	10°
S	6.70	7.30	0.264	0.287