

BB02-KH:- 2.54mm X 2.54mm (0.1" X 0.1") FEMALE HEADER, DUAL ROW - 4 TO 80 CONTACTS, PROFILE: 7.1mm

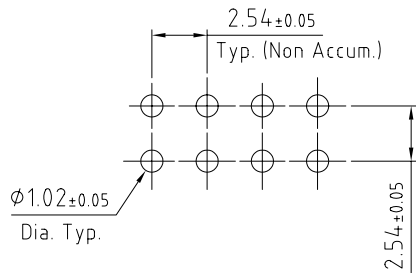
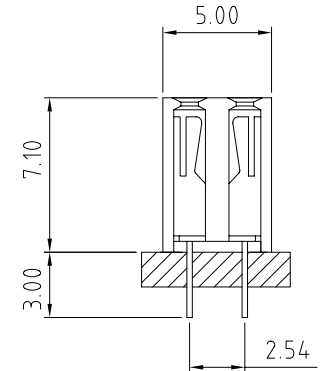
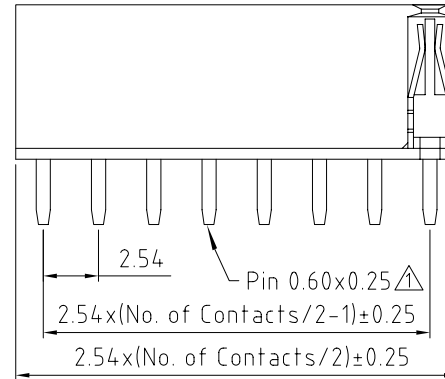
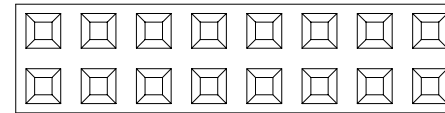
SPECIFICATIONS

CURRENT RATING 3 AMPS  
 INSULATOR RESISTANCE 1000 MEGOHMS MIN.  
 CONTACT RESISTANCE 20 M OHMS MAX  
 DIELECTRIC WITHSTANDING AC 500 V  
 OPERATING TEMPERATURE -40° TO +105°C  
 CONTACT MATERIAL PHOSPHOR BRONZE  
 INSULATOR MATERIAL POLYESTER UL 94V-0  
 STANDARD PBT  $\Delta$   
 FINISH GOLD, TIN OR  
 SELECTIVE GOLD PLATING  
 SOLDERABILITY: PBT - MANUAL SOLDER: 330°C FOR 3-5 SEC  
 (NOT SUITABLE FOR HI-TEMP PROCESS)  
 NYLON 6T - IR REFLOW: 260°C FOR 10 SEC  
 WAVE: 230°C FOR 5-10 SEC  
 MANUAL SOLDER: 350°C FOR 3-5 SEC

NOTE: SELECTIVE GOLD PLATING = GOLD PLATING ON CONTACT AREA, TIN ON SOLDER AREA.

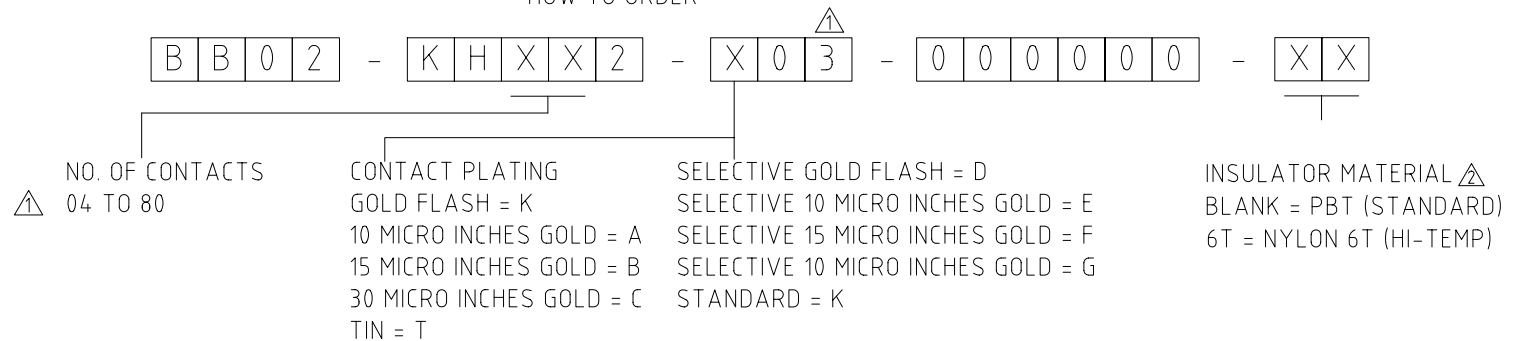
PACKED IN TUBES

MATES WITH: BB02-HE BB02-HQ  
 BB02-HF BB02-HR  
 BB02-HJ BB02-HU  
 BB02-HK BB02-TB  
 BB02-HP



RECOMMENDED PC BOARD HOLE LAYOUT

HOW TO ORDER



REV.	DATE & DRN	10	12/08/02	- AMCI RELEASE
		11	25/08/05	- NYW
				AMEND PLASTIC MATERIAL
				AMEND PACKAGING CODE
				AMEND NO. OF CONTACTS
				AMEND PIN DIAMETER
		12	15/08/06	- CHC
				ADD PLASTIC OPTION
				DRAWING MODIFICATION

Scale:	4:1	THIRD ANGLE	Unstated Tolerances: 0 Dec Places 1 Dec Places 2 Dec Places 3 Dec Places	Material SEE NOTE
Drawn:	CHC			
App'd:	XXXX	Title	SOCKET	NOT TO SCALE
Date:	15 AUG '06	Revision:	1.2	Unit: mm

www.gradconn.com

THIS DRAWING IS CONFIDENTIAL AND MUST NOT BE COPIED OR DISCLOSED WITHOUT WRITTEN CONSENT

Type:	BB02-KH
	BB02-KH
Drawing Number:	
Sheet	1 of 1
Drawing	© E and O E