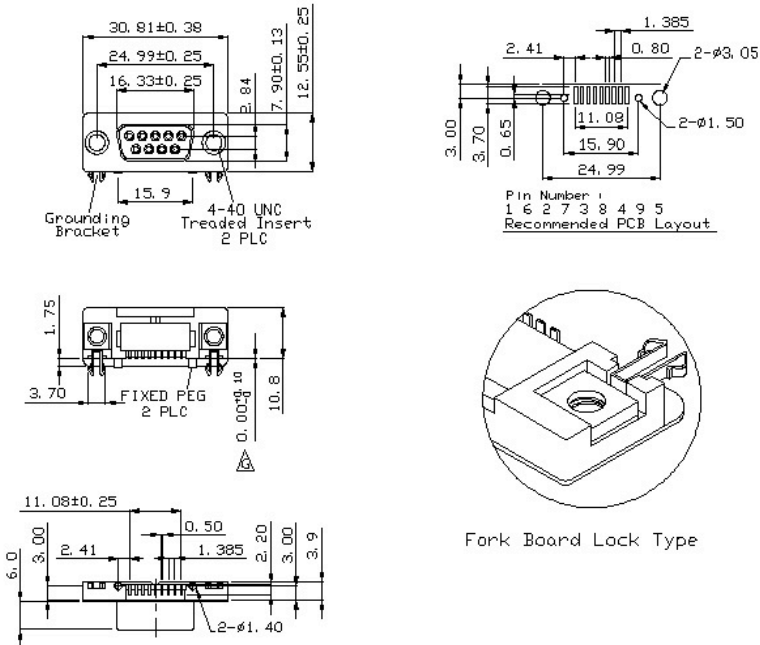


D-Sub Surface Mount Connector 9 position Female Type



Fork Board Lock Type

Dimension: mm

Material And Finish	
Shell	Steel tin plated over nickel
Bracket	Brass strip P-H nickel plated
Screw	Brass nickel plated
Insulator	Nylon 6T Fiber reinforced UL - 94VO, Color black
Contact Material (socket)	Phosphor bronze Duplex Plated As Follows: A - 30µ" gold on mating area. Tin plated over nickel on termination area. B - 15µ" gold on mating area. Tin plated over nickel on termination area. C - Gold flash on mating area. Tin plated over nickel on termination area.
Specifications	
Rated Current	5A
Rated Voltage	300V DC
Withstanding Voltage	500V(r.m.s) AC for 1 minute
Insulation Resistance	more than 1000M ohm at 500V DC
Contact Resistance	13M ohm Max.
Dielectric Strength	1000V AC Min. for 1 minute
Temperature	-55 °C ~ +105 °C

Part Numbers

Part Number	Duplex Plated
33DSMT1-E9SNAT	30µ" gold on mating area. Tin plated over nickel on termination area.
33DSMT1-E9SNBT	15µ" gold on mating area. Tin plated over nickel on termination area.
33DSMT1-E9SNCT	Gold flash on mating area. Tin plated over nickel on termination area.