

ULTRA FAST RECOVERY RECTIFIERS

MAXIMUM RATINGS PER DIODE			
PARAMETER	SYMBOL		UNITS
WORKING PEAK REVERSE VOLTAGE	VRRM	500	V
AVERAGE FORWARD CURRENT	IF(AV)	6	A
PEAK ONE CYCLE NON-REPETITIVE SURGE CURRENT	IFSM	100	A
PEAK REPETITIVE REVERSE CURRENT	IRRM	2.2	A
OPERATING JUNCTION TEMPERATURE RANGE	TJ	+150	°C
STORAGE TEMPERATURE RANGE	Tstg	-55 TO +150	°C
THERMAL RESISTANCE JUNCTION TO CASE	RtJc	2.5	°C/W

500V, 6A, 35ns

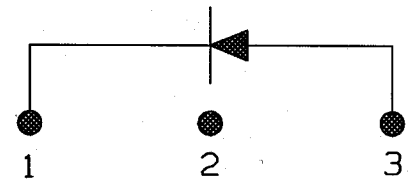
SDR6500 JAA  
SDR6500 JAB

**FEATURES**

- RUGGED PACKAGE
- HI-REL CONSTRUCTION
- CERAMIC EYELETS
- LEAD BENDING OPTIONS
- COPPER CORED 52 ALLOY PINS
- LOW IR LOSSES
- LOW THERMAL RESISTANCE
- OPTIONAL MIL-S-19500 SCREENING

ELECTRICAL CHARACTERISTICS $T_c = 25^\circ\text{C}$ (UNLESS OTHERWISE SPECIFIED)				
PARAMETER	SYMBOL	TEST CONDITIONS		UNITS
MAX. PEAK FORWARD VOLTAGE (1)	VF	$T_J = 25^\circ\text{C}$ IFM=6.0A	1.6	V
MAX. PEAK REVERSE CURRENT (1)	IRM	$T_J = 25^\circ\text{C}$ VRWM=400V	60	$\mu\text{A}$
		$T_J = 125^\circ\text{C}$	1.5	mA
REVERSE RECOVERY	trr	IF=0.5A, IR=1A IREC=0.25A	50	ns

"J" SCHEMATIC

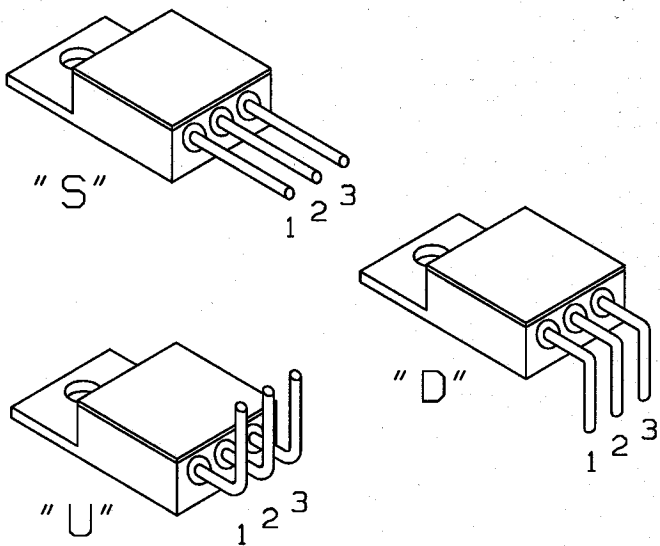


TERMINAL CONNECTIONS  
1 = CATHODE  
2 = NO CONN.  
3 = ANODE

(1) PULSE TEST: PULSE WIDTH 300 $\mu\text{s}$ , DUTY CYCLE 2%.

STANDARD BEND CONFIGURATIONS

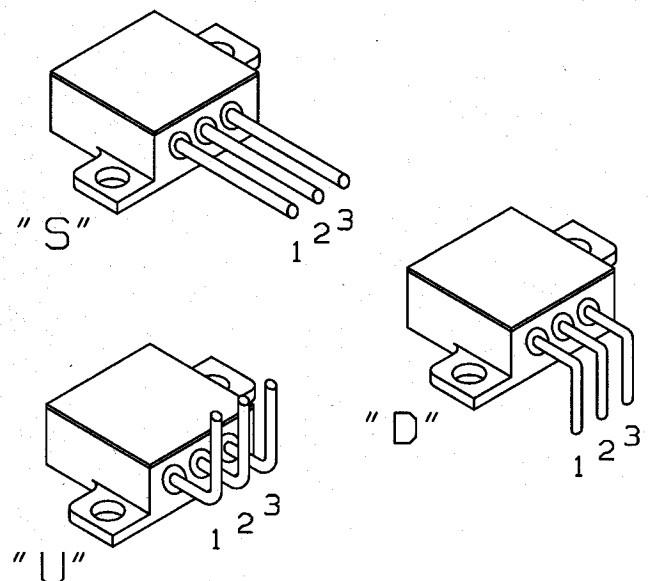
JAA



(CUSTOM BEND OPTIONS AVAILABLE)

STANDARD BEND CONFIGURATIONS

JAB



(CUSTOM BEND OPTIONS AVAILABLE)