

FEATURES

- **Single Power Supply Operation**
 - Low voltage range: 4.5 V - 5.5 V
 - **Memory Organization**
 - Pm39F010: 128K x 8 (1 Mbit)
 - Pm39F020: 256K x 8 (2 Mbit)
 - Pm39F040: 512K x 8 (4 Mbit)
 - **High Performance Read**
 - 55/70 ns access time
 - **Cost Effective Sector/Block Architecture**
 - Uniform 4 Kbyte sectors
 - Uniform 64 Kbyte blocks (sector-group)
 - **Data# Polling and Toggle Bit Features**
 - **Hardware Data Protection**
 - **Automatic Erase and Byte Program**
 - Typical 16 μ s/byte programming time
 - Typical 55 ms sector/block/chip erase time
 - **Low Power Consumption**
 - Typical 8 mA active read current
 - Typical 9 mA program/erase current
 - Typical 0.5 μ A CMOS standby current
 - **High Product Endurance**
 - Guarantee 100,000 program/erase cycles per single sector (preliminary)
 - Minimum 20 years data retention
 - **Industrial Standard Pin-out and Packaging**
 - 32-pin Plastic DIP
 - 32-pin PLCC
 - 32-pin VSOP (TSOP 8mm x 14mm)
 - Optional lead-free (Pb-free) packages
-

GENERAL DESCRIPTION

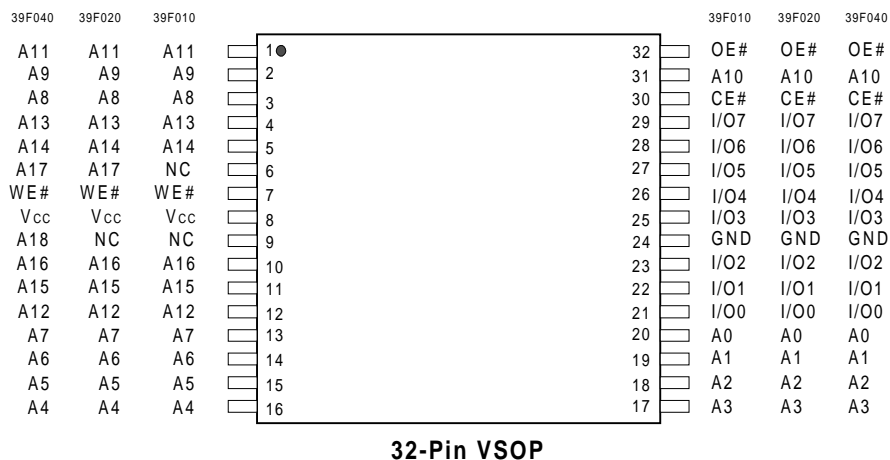
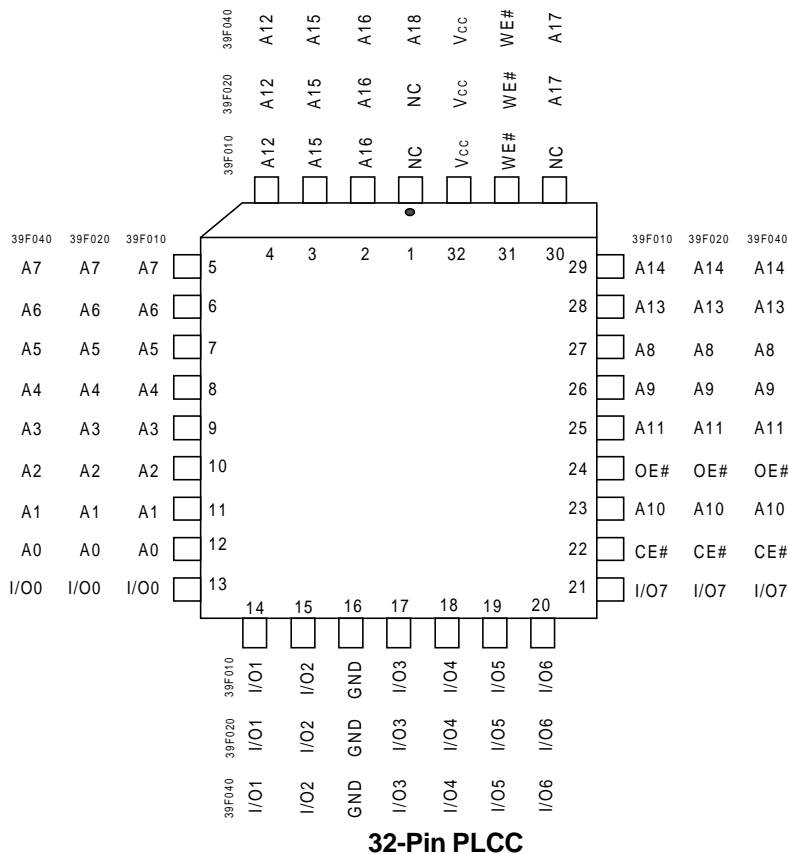
The Pm39F010/020/040 are 1 Mbit/2 Mbit/4 Mbit 5.0 Volt-only Flash Memories. These devices are designed to use a single low voltage, range from 4.5 Volt to 5.5 Volt, power supply to perform read, erase and program operations. The 12.0 Volt V_{pp} power supply for program and erase operations are not required. The devices can be programmed in standard EPROM programmers as well.

The memory arrays of Pm39F010/020/040 are divided into uniform 4 Kbyte sectors or uniform 64 Kbyte blocks (sector group - consists of sixteen adjacent sectors). The sector or block erase feature allows users to flexibly erase an memory area as small as 4 Kbyte or as large as 64 Kbyte by one single erase operation without affecting the data in others. The chip erase feature allows the whole memory array to be erased in one single erase operation. The devices can be programmed on a byte-by-byte basis after performing the erase operation.

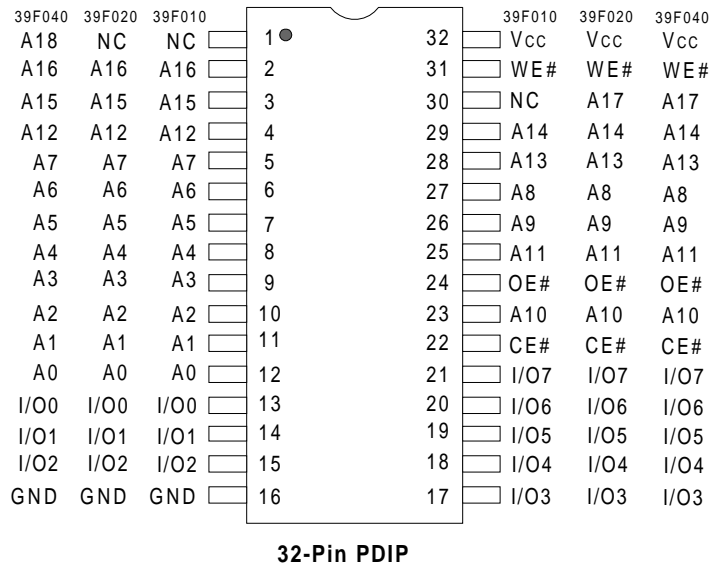
The devices have a standard microprocessor interface as well as a JEDEC standard pin-out/command set. The program operation is executed by issuing the program command code into command register. The internal control logic automatically handles the programming voltage ramp-up and timing. The erase operation is executed by issuing the chip erase, block, or sector erase command code into command register. The internal control logic automatically handles the erase voltage ramp-up and timing. The preprogramming on the array which has not been programmed is not required before an erase operation. The devices offer Data# Polling and Toggle Bit functions, the progress or completion of program and erase operations can be detected by reading the Data# Polling on I/O7 or the Toggle Bit on I/O6.

The Pm39F010/020/040 are manufactured on PMC's advanced nonvolatile CMOS technology, P-FLASH™. The devices are offered in 32-pin PDIP, PLCC and VSOP packages with access time of 55 and 70 ns.

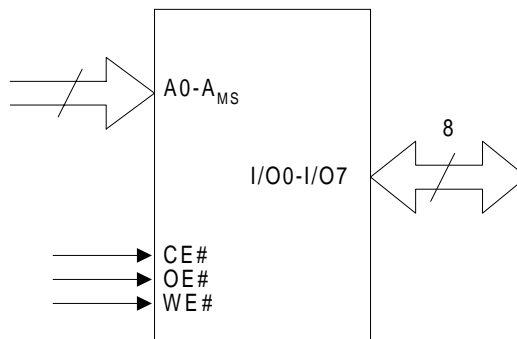
CONNECTION DIAGRAMS



CONNECTION DIAGRAMS (CONTINUED)

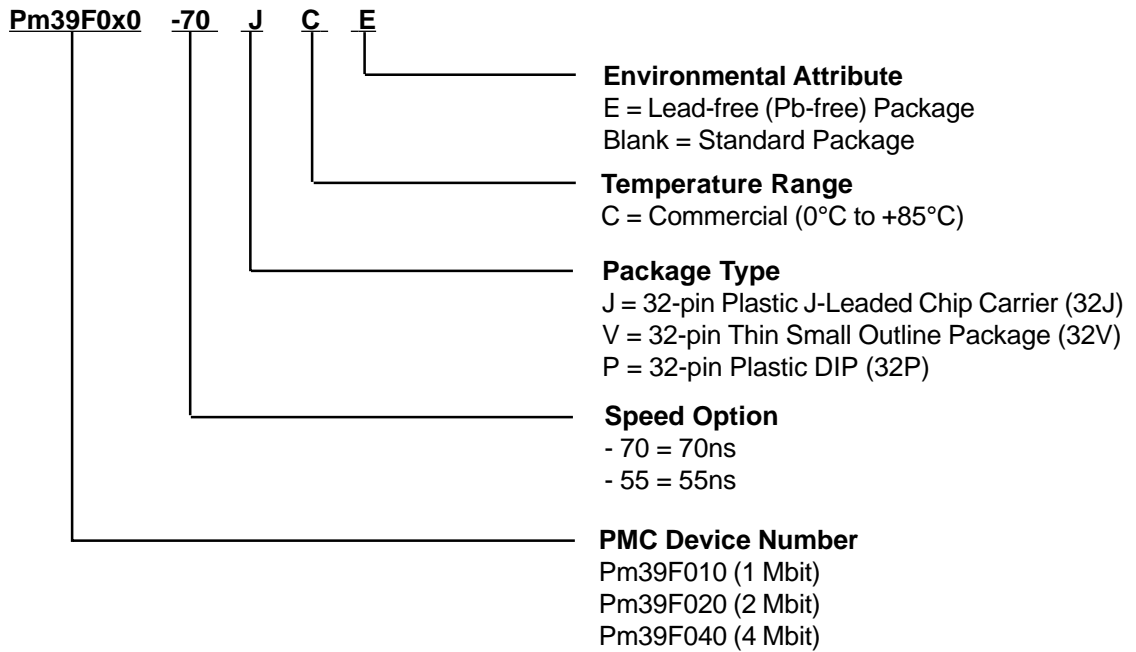


LOGIC SYMBOL



Note: A_{MS} is the most significant address where A_{MS} = A16 for Pm39F010, A17 for Pm39F020, and A18 for Pm39F040.

PRODUCT ORDERING INFORMATION



Part Number	tACC(ns)	Package	Temperature Range
Pm39F010-55JCE	55	32J	Commercial (0°C to + 85°C)
Pm39F010-55PCE		32P	
Pm39F010-55VCE		32V	
Pm39F010-70JCE	70	32J	
Pm39F010-70JC			
Pm39F010-70PCE		32P	
Pm39F010-70PC			
Pm39F010-70VCE		32V	
Pm39F010-70VC			
Pm39F020-55JCE	55	32J	
Pm39F020-55PCE		32P	
Pm39F020-55VCE		32V	
Pm39F020-70JCE	70	32J	
Pm39F020-70JC			
Pm39F020-70PCE		32P	
Pm39F020-70PC			
Pm39F020-70VCE		32V	
Pm39F020-70VC			
Pm39F040-55JCE	55	32J	
Pm39F040-55PCE		32P	
Pm39F040-55VCE		32V	
Pm39F040-70JCE	70	32J	
Pm39F040-70JC			
Pm39F040-70PCE		32P	
Pm39F040-70PC			
Pm39F040-70VCE		32V	
Pm39F040-70VC			

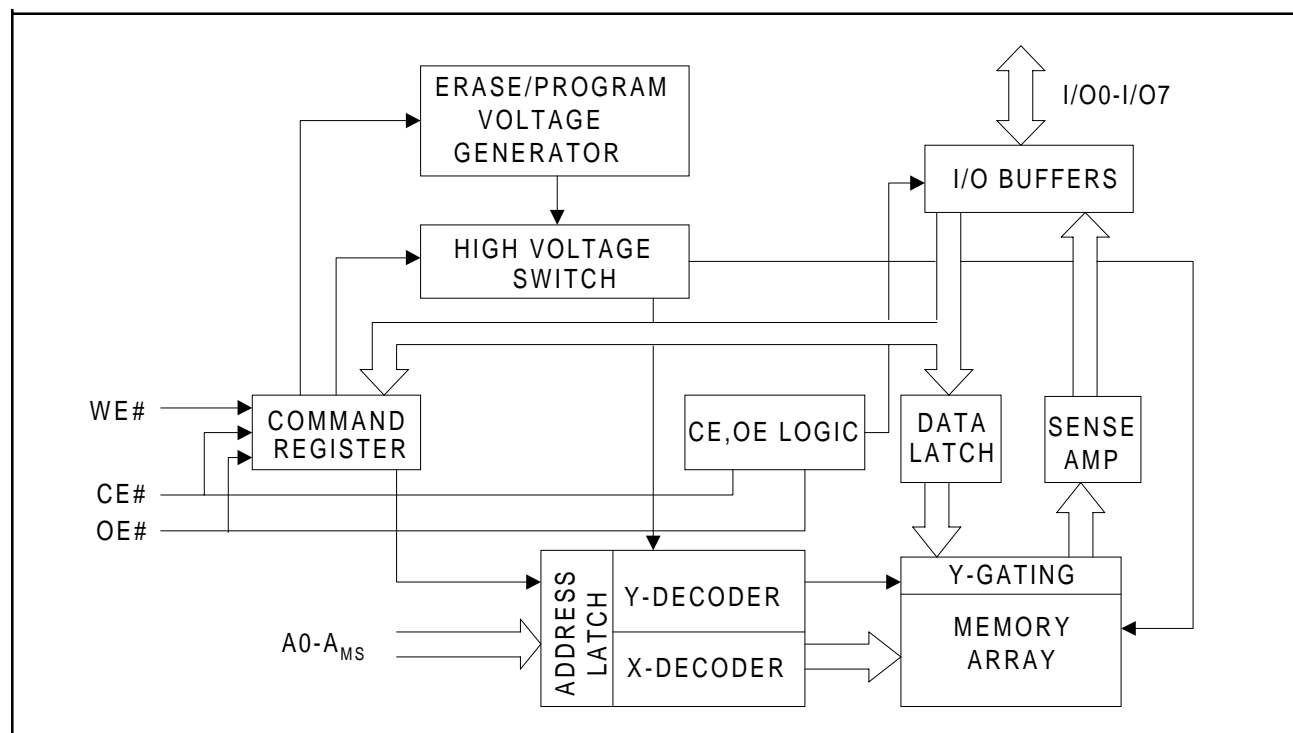
PIN DESCRIPTIONS

SYMBOL	TYPE	DESCRIPTION
A0 - A _{MS} ⁽¹⁾	INPUT	Address Inputs: For memory addresses input. Addresses are internally latched on the falling edge of WE# during a write cycle.
CE#	INPUT	Chip Enable: CE# goes low activates the device's internal circuitries for device operation. CE# goes high deselects the device and switches into standby mode to reduce the power consumption.
WE#	INPUT	Write Enable: Activate the device for write operation. WE# is active low.
OE#	INPUT	Output Enable: Control the device's output buffers during a read cycle. OE# is active low.
I/O0 - I/O7	INPUT/ OUTPUT	Data Inputs/Outputs: Input command/data during a write cycle or output data during a read cycle. The I/O pins float to tri-state when OE# are disabled.
V _{CC}		Device Power Supply
GND		Ground
NC		No Connection

Note:

1. A_{MS} is the most significant address where A_{MS} = A16 for Pm39F010, A17 for Pm39F020, and A18 for Pm39F040.

BLOCK DIAGRAM



DEVICE OPERATION

READ OPERATION

The access of Pm39F010/020/040 are similar to EPROM. To read data, three control functions must be satisfied:

- CE# is the chip enable and should be pulled low (V_{IL}).
- OE# is the output enable and should be pulled low (V_{IL}).
- WE# is the write enable and should remain high (V_{IH}).

PRODUCT IDENTIFICATION

The product identification mode can be used to identify the manufacturer and the device through hardware or software read ID operation. See Table 1 for PMC Manufacturer ID and Device ID. The hardware ID mode is activated by applying a 12.0 Volt on A9 pin, typically used by an external programmer for selecting the right programming algorithm for the devices. Refer to Table 2 for Bus Operation Modes. The software ID mode is activated by a three-bus-cycle command. See Table 3 for Software Command Definition.

BYTE PROGRAMMING

The programming is a four-bus-cycle operation and the data is programmed into the devices (to a logical "0") on a byte-by-byte basis. See Table 3 for Software Command Definition. A program operation is activated by writing the three-byte command sequence followed by program address and one byte of program data into the devices. The addresses are latched on the falling edge of WE# or CE# whichever occurs later, and the data are latched on the rising edge of WE# or CE# whichever occurs first. The internal control logic automatically handles the internal programming voltages and timing.

A data "0" can not be programmed back to a "1". Only erase operation can convert the "0"s to "1"s. The Data# Polling on I/O7 or Toggle Bit on I/O6 can be used to detect the progress or completion of a program cycle.

DEVICE OPERATION (CONTINUED)**CHIP ERASE**

The entire memory array can be erased through a chip erase operation. Pre-programs the devices are not required prior to a chip erase operation. Chip erase starts immediately after a six-bus-cycle chip erase command sequence. All commands will be ignored once the chip erase operation has started. The devices will return to standby mode after the completion of chip erase.

SECTOR AND BLOCK ERASE

The memory array of Pm39F010/020/040 are organized into uniform 4 Kbyte sectors. A sector erase operation allows to erase any individual sector without affecting the data in others. The memory array of those devices are also organized into uniform 64 Kbyte blocks (sector group - consists of sixteen adjacent sectors). A block erase operation allows to erase any individual block. The sector or block erase operation is similar to chip erase.

I/O7 DATA# POLLING

The Pm39F010/020/040 provide a Data# Polling feature to indicate the progress or completion of a program and erase cycles. During a program cycle, an attempt to read the devices will result in the complement of the last loaded data on I/O7. Once the program operation is completed, the true data of the last loaded data is valid on all outputs. During a sector, block, or chip erase cycle, an attempt to read the device will result a "0" on I/O7. After the erase operation is completed, an attempt to read the device will result a "1" on I/O7.

I/O6 TOGGLE BIT

The Pm39F010/020/040 also provide a Toggle Bit feature to detect the progress or completion of a program and erase cycles. During a program or erase cycle, an attempt to read data from the device will result a toggling between "1" and "0" on I/O6. When the program or erase operation is complete, I/O6 will stop toggling and valid data will be read. Toggle bit may be accessed at any time during a program or erase cycle.

HARDWARE DATA PROTECTION

Hardware data protection protects the devices from unintentional erase or program operation. It is performed in the following ways: (a) V_{CC} sense: if V_{CC} is below 3.8 V (typical), the write operation is inhibited. (b) Write inhibit: holding any of the signal OE# low, CE# high, or WE# high inhibits a write cycle. (c) Noise filter: pulses of less than 5 ns (typical) on the WE# or CE# input will not initiate a write operation.

Table 1. Product Identification

Product Identification	Data
Manufacturer ID	9Dh
Device ID:	
Pm39F010	1Ch
Pm39F020	4Dh
Pm39F040	4Eh

SECTOR/BLOCK ADDRESS TABLE

Memory Density		Block ⁽¹⁾	Block Size (Kbytes)	Sector	Sector Size (Kbytes)	Address Range
1 Mbit	2 Mbit	Block 0	64	Sector 0	4	00000h - 00FFFh
				Sector 1	4	01000h - 01FFFh
:				:	:	
Sector 15				4	0F000h - 0FFFFh	
4 Mbit		Block 1	64	Sector 16	4	10000h - 10FFFh
				Sector 17	4	11000h - 11FFFh
				:	:	:
				Sector 31	4	1F000h - 1FFFFh
	Block 2	64	"	"	20000h - 2FFFFh	
	Block 3	64	"	"	30000h - 3FFFFh	
	Block 4	64	"	"	40000h - 4FFFFh	
	Block 5	64	"	"	50000h - 5FFFFh	
Block 6	64	"	"	60000h - 6FFFFh		
Block 7	64	"	"	70000h - 7FFFFh		

Note:

1. A Block is a 64 Kbyte sector group which consists of sixteen adjacent sectors of 4 Kbyte each.

OPERATING MODES

Table 2. Bus Operation Modes

Mode	CE#	OE#	WE#	ADDRESS	I/O
Read	V _{IL}	V _{IL}	V _{IH}	X ⁽¹⁾	D _{OUT}
Write	V _{IL}	V _{IH}	V _{IL}	X	D _{IN}
Standby	V _{IH}	X	X	X	High Z
Output Disable	X	V _{IH}	X	X	High Z
Product Identification Hardware	V _{IL}	V _{IL}	V _{IH}	A2 - A _{MS} ⁽²⁾ = X, A9 = V _H ⁽³⁾ , A1 = V _{IL} , A0 = V _{IL}	Manufacturer ID
				A2 - A _{MS} ⁽²⁾ = X, A9 = V _H ⁽³⁾ , A1 = V _{IL} , A0 = V _{IH}	Device ID

Notes:

1. X can be V_{IL}, V_{IH} or addresses.
2. A_{MS} = Most significant address;
A_{MS} = A16 for Pm39F010, A17 for Pm39F020, and A18 for Pm39F040.
3. V_H = 12.0 V ± 0.5 V.

COMMAND DEFINITION

Table 3. Software Command Definition

Command Sequence	Bus Cycle	1st Bus Cycle Addr Data	2nd Bus Cycle Addr Data	3rd Bus Cycle Addr Data	4th Bus Cycle Addr Data	5th Bus Cycle Addr Data	6th Bus Cycle Addr Data
Read	1	Addr D _{OUT}					
Chip Erase	6	555h AAh	2AAh 55h	555h 80h	555h AAh	2AAh 55h	555h 10h
Sector Erase	6	555h AAh	2AAh 55h	555h 80h	555h AAh	2AAh 55h	SA ⁽¹⁾ 30h
Block Erase	6	555h AAh	2AAh 55h	555h 80h	555h AAh	2AAh 55h	BA ⁽²⁾ 50h
Byte Program	4	555h AAh	2AAh 55h	555h A0h	Addr D _{IN}		
Product ID Entry	3	555h AAh	2AAh 55h	555h 90h			
Product ID Exit ⁽³⁾	3	555h AAh	2AAh 55h	555h F0h			
Product ID Exit ⁽³⁾	1	XXXh F0h					

Notes:

1. SA = Sector address of the sector to be erased.
2. BA = Block address of the block to be erased.
3. Either one of the Product ID Exit command can be used.

DEVICE OPERATIONS FLOWCHARTS

AUTOMATIC PROGRAMMING

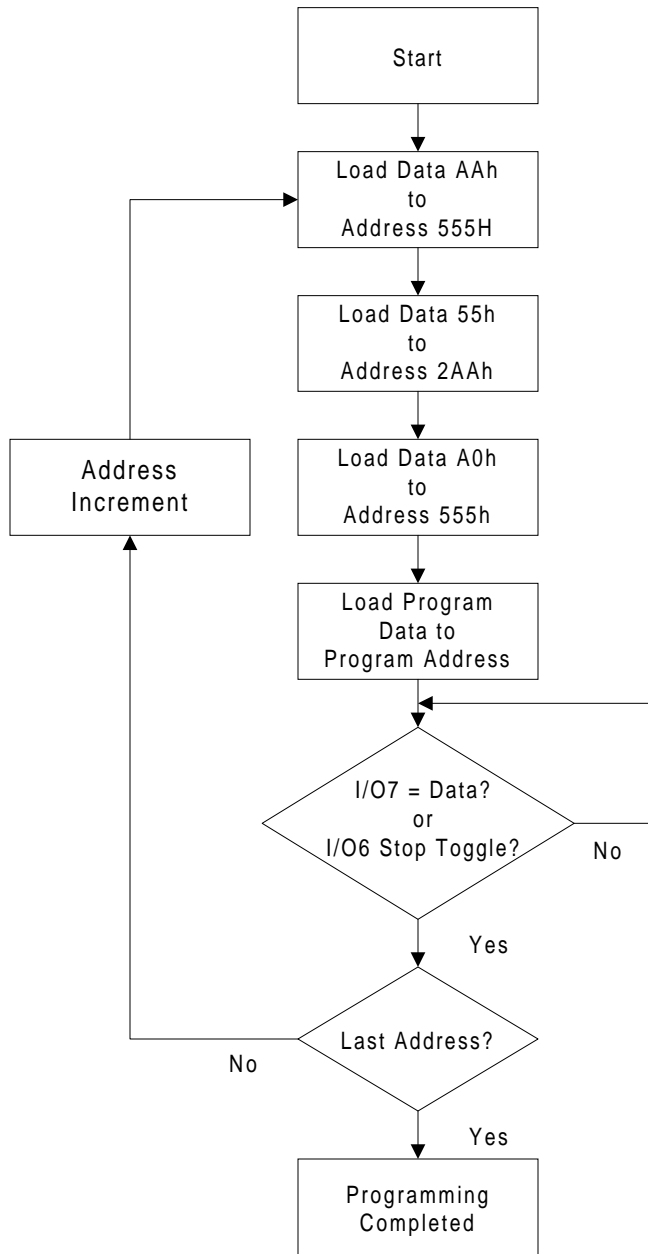
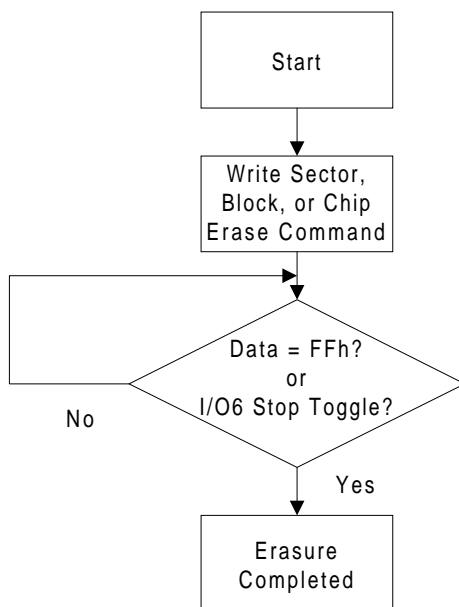


Chart 1. Automatic Programming Flowchart

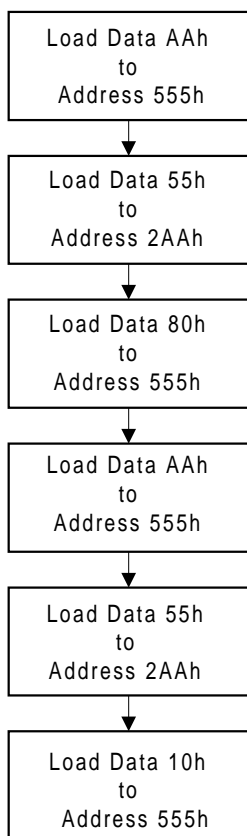
DEVICE OPERATIONS FLOWCHARTS

(CONTINUED)

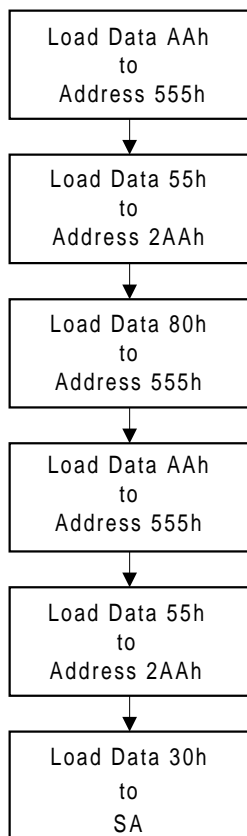
AUTOMATIC ERASE



CHIP ERASE COMMAND



SECTOR ERASE COMMAND



BLOCK ERASE COMMAND

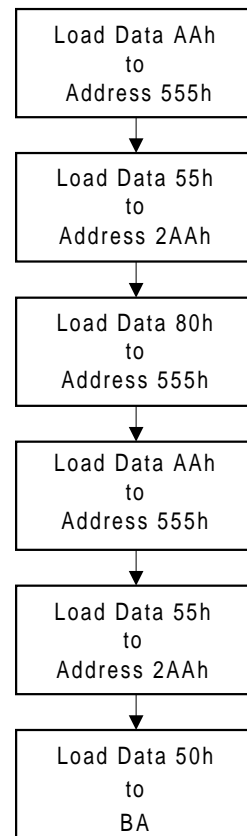
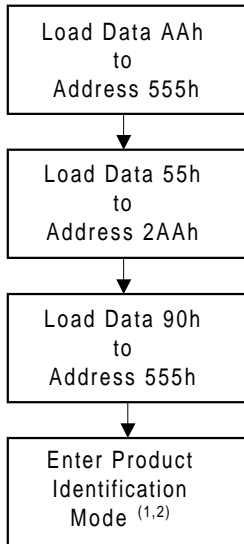


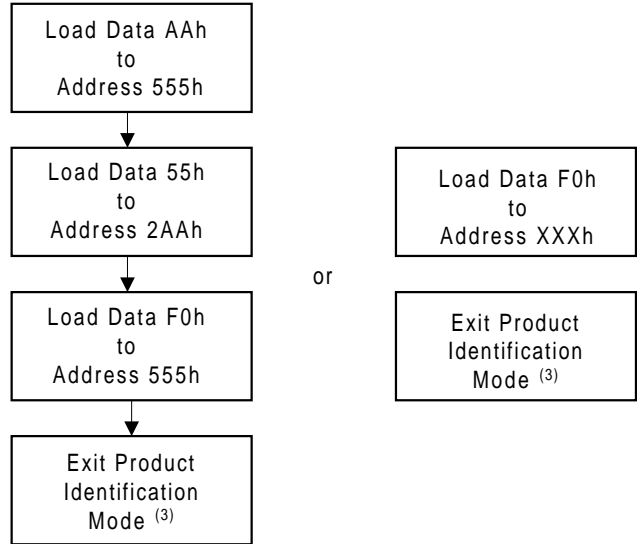
Chart 2. Automatic Erase Flowchart

**DEVICE OPERATIONS FLOWCHARTS
(CONTINUED)**

SOFTWARE PRODUCT IDENTIFICATION ENTRY



SOFTWARE PRODUCT IDENTIFICATION EXIT



Notes:

1. The device will enter Product Identification mode after executing the Product ID Entry command.
2. Under Product Identification mode, the Manufacturer ID and Device ID of devices can be read at address X0000h and X0001h where X = Don't Care.
3. The device returns to standby operation.

Chart 3. Software Product Identification Entry/Exit Flowchart

ABSOLUTE MAXIMUM RATINGS ⁽¹⁾

Temperature Under Bias		-65°C to +125°C
Storage Temperature		-65°C to +125°C
Surface Mount Lead Soldering Temperature	Standard Package	240°C 3 Seconds
	Lead-free Package	260°C 3 Seconds
Input Voltage with Respect to Ground on All Pins except A9 pin ⁽²⁾		-0.5 V to +6.25 V
Input Voltage with Respect to Ground on A9 pin ⁽³⁾		-0.5 V to +13.0 V
All Output Voltage with Respect to Ground		-0.5 V to V _{CC} + 0.6 V
V _{CC} ⁽²⁾		-0.5 V to +6.25 V

Notes:

1. Stresses under those listed in “Absolute Maximum Ratings” may cause permanent damage to the device. This is a stress rating only. The functional operation of the device or any other conditions under those indicated in the operational sections of this specification is not implied. Exposure to absolute maximum rating condition for extended periods may affected device reliability.
2. Maximum DC voltage on input or I/O pins are +6.25 V. During voltage transitioning period, input or I/O pins may overshoot to V_{CC} + 2.0 V for a period of time up to 20 ns. Minimum DC voltage on input or I/O pins are -0.5 V. During voltage transitioning period, input or I/O pins may undershoot GND to -2.0 V for a period of time up to 20 ns.
3. Maximum DC voltage on A9 pin is +13.0 V. During voltage transitioning period, A9 pin may overshoot to +14.0 V for a period of time up to 20 ns. Minimum DC voltage on A9 pin is -0.5 V. During voltage transitioning period, A9 pin may undershoot GND to -2.0 V for a period of time up to 20 ns.

DC AND AC OPERATING RANGE

Part Number	Pm39F010/020/040
Operating Temperature	0°C to 85°C
V _{CC} Power Supply	4.5 V - 5.5 V

DC CHARACTERISTICS

Symbol	Parameter	Condition	Min	Typ	Max	Units
I_{LI}	Input Load Current	$V_{IN} = 0\text{ V to }V_{CC}$			± 1	μA
I_{LO}	Output Leakage Current	$V_{IO} = 0\text{ V to }V_{CC}$			± 1	μA
I_{SB1}	V_{CC} Standby Current CMOS	$CE\#, OE\# = V_{CC} \pm 0.5\text{ V}$		0.5	10	μA
I_{SB2}	V_{CC} Standby Current TTL	$CE\# = V_{IH}\text{ to }V_{CC}$		0.2	3	mA
I_{CC1}	V_{CC} Active Read Current	$f = 5\text{ MHz}; I_{OUT} = 0\text{ mA}$		8	20	mA
$I_{CC2}^{(1)}$	V_{CC} Program/Erase Current			9	20	mA
V_{IL}	Input Low Voltage		-0.5		0.8	V
V_{IH}	Input High Voltage		2.0		$V_{CC} + 0.5$	V
V_{OL}	Output Low Voltage	$I_{OL} = 5.8\text{ mA}; V_{CC} = V_{CCmin}$			0.45	V
V_{OH}	Output High Voltage	$I_{OH} = -400\ \mu\text{A}; V_{CC} = V_{CCmin}$	2.4			V

Note: 1. Characterized but not 100% tested.

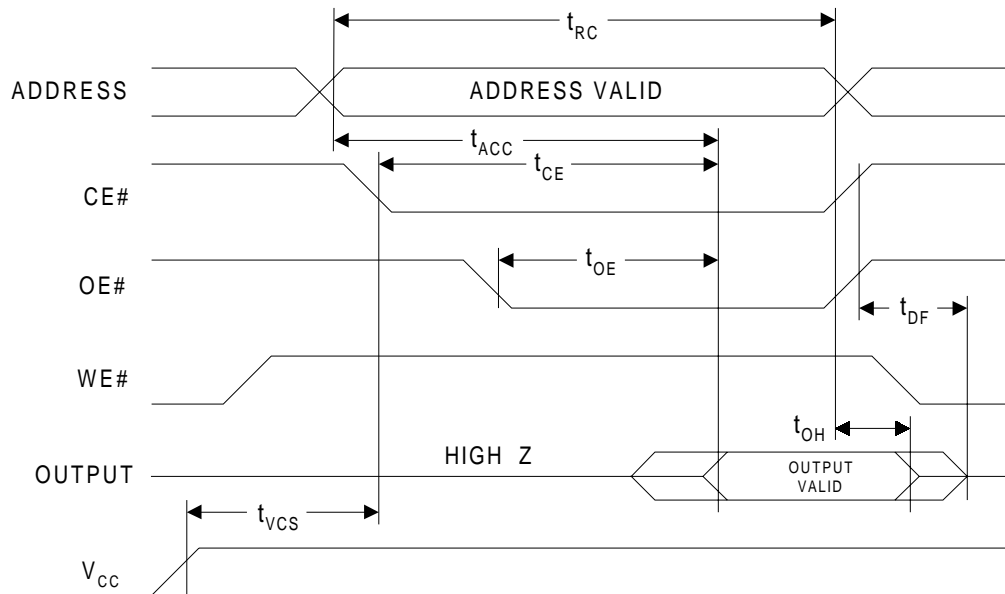
AC CHARACTERISTICS

READ OPERATIONS CHARACTERISTICS

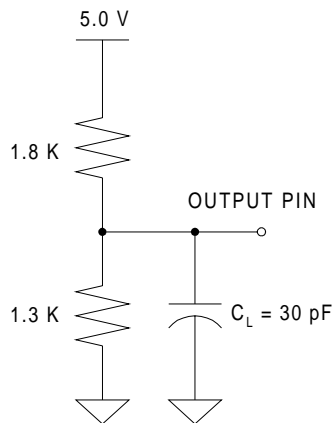
Symbol	Parameter	Pm39F010-55 Pm39F020-55 Pm39F040-55		Pm39F010-70 Pm39F020-70 Pm39F040-70		Units
		Min	Max	Min	Max	
t_{RC}	Read Cycle Time	55		70		ns
t_{ACC}	Address to Output Delay		55		70	ns
t_{CE}	CE# to Output Delay		55		70	ns
t_{OE}	OE# to Output Delay		25		35	ns
t_{DF}	CE# or OE# to Output High Z	0	15	0	25	ns
t_{OH}	Output Hold from OE#, CE# or Address, whichever occurred first	0		0		ns
t_{VCS}	V_{CC} Set-up Time	50		50		μs

AC CHARACTERISTICS (CONTINUED)

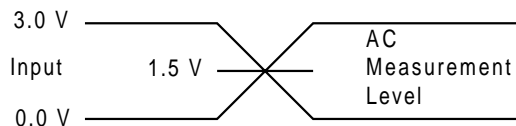
READ OPERATIONS AC WAVEFORMS



OUTPUT TEST LOAD



INPUT TEST WAVEFORMS AND MEASUREMENT LEVEL



PIN CAPACITANCE (f = 1 MHz, T = 25°C)

	Typ	Max	Units	Conditions
C _{IN}	4	6	pF	V _{IN} = 0 V
C _{OUT}	8	12	pF	V _{OUT} = 0 V

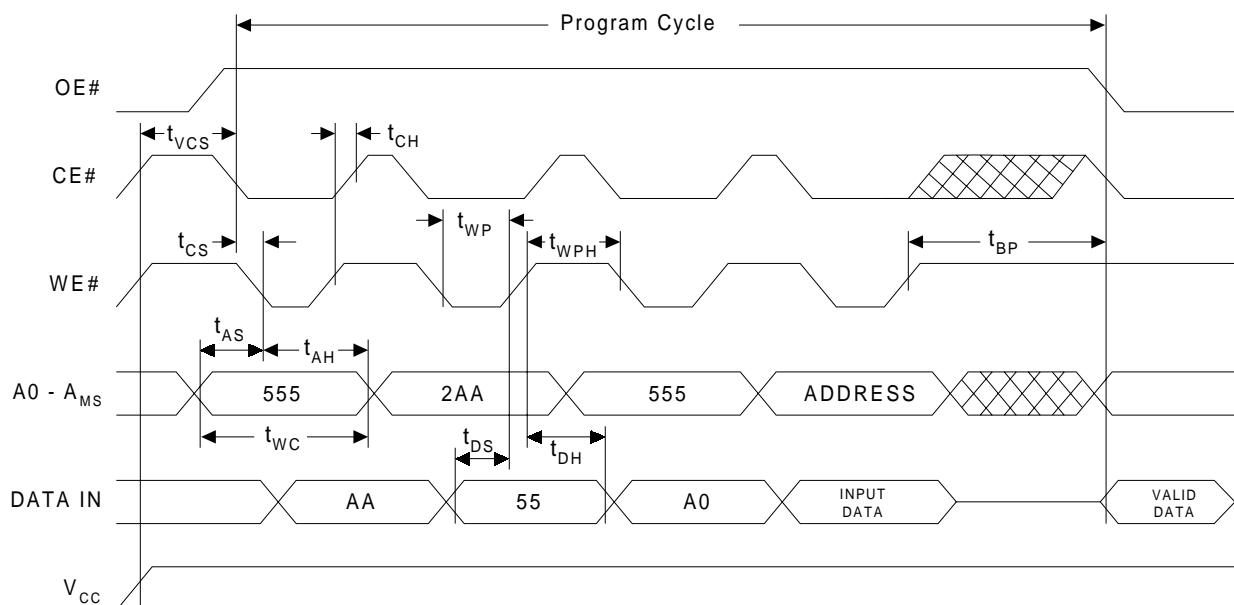
Note: These parameters are characterized but not 100% tested.

AC CHARACTERISTICS (CONTINUED)

WRITE (PROGRAM/ERASE) OPERATIONS CHARACTERISTICS

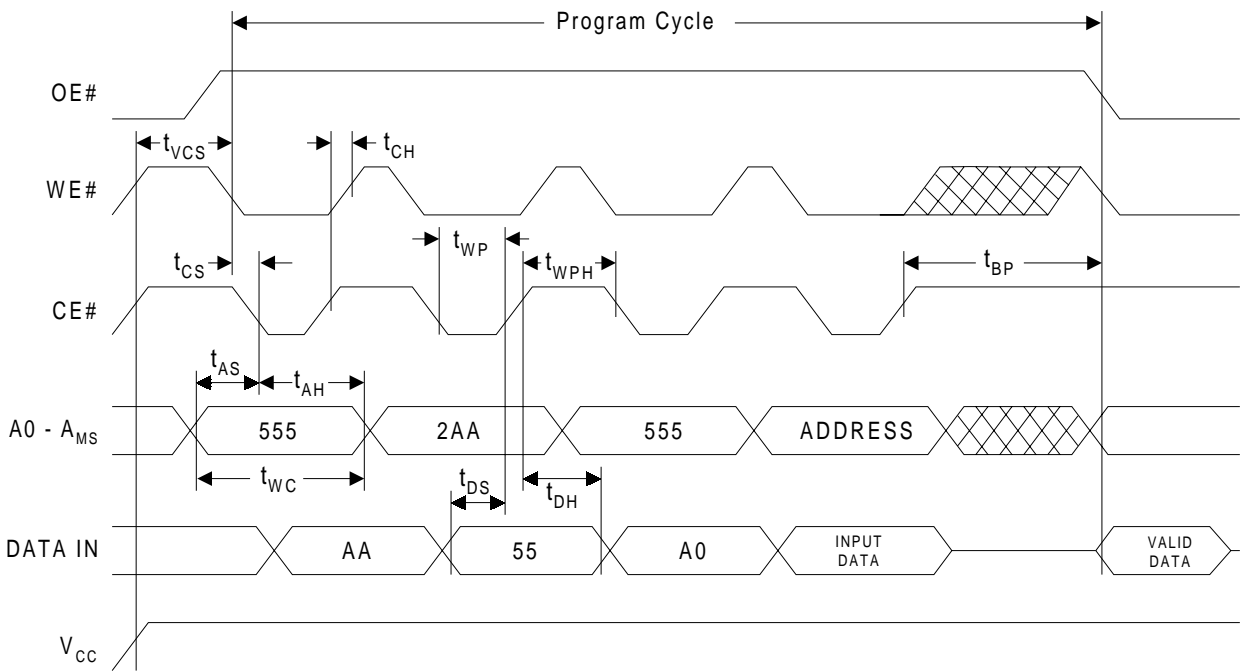
Symbol	Parameter	Pm39F010-55 Pm39F020-55 Pm39F040-55		Pm39F010-70 Pm39F020-70 Pm39F040-70		Units																																										
		Min	Max	Min	Max																																											
t_{WC}	Write Cycle Time	55		70		ns																																										
t_{AS}	Address Set-up Time	0		0		ns																																										
t_{AH}	Address Hold Time	30		30		ns																																										
t_{CS}	CE# and WE# Set-up Time	0		0		ns																																										
t_{CH}	CE# and WE# Hold Time	0		0		ns																																										
t_{OEH}	OE# High Hold Time	10		10		ns																																										
t_{DS}	Data Set-up Time	30		30		ns </tr <tr> <td>t_{DH}</td> <td>Data Hold Time</td> <td>0</td> <td></td> <td>0</td> <td></td> <td>ns</td> </tr> <tr> <td>t_{WP}</td> <td>Write Pulse Width</td> <td>30</td> <td></td> <td>35</td> <td></td> <td>ns</td> </tr> <tr> <td>t_{WPH}</td> <td>Write Pulse Width High</td> <td>20</td> <td></td> <td>20</td> <td></td> <td>ns</td> </tr> <tr> <td>t_{BP}</td> <td>Byte Programming Time</td> <td></td> <td>30</td> <td></td> <td>30</td> <td>μs</td> </tr> <tr> <td>t_{EC}</td> <td>Chip or Block Erase Time</td> <td></td> <td>100</td> <td></td> <td>100</td> <td>ms</td> </tr> <tr> <td>t_{VCS}</td> <td>V_{CC} Set-up Time</td> <td>50</td> <td></td> <td>50</td> <td></td> <td>μs</td> </tr>	t_{DH}	Data Hold Time	0		0		ns	t_{WP}	Write Pulse Width	30		35		ns	t_{WPH}	Write Pulse Width High	20		20		ns	t_{BP}	Byte Programming Time		30		30	μ s	t_{EC}	Chip or Block Erase Time		100		100	ms	t_{VCS}	V_{CC} Set-up Time	50		50		μ s
t_{DH}	Data Hold Time	0		0		ns																																										
t_{WP}	Write Pulse Width	30		35		ns																																										
t_{WPH}	Write Pulse Width High	20		20		ns																																										
t_{BP}	Byte Programming Time		30		30	μ s																																										
t_{EC}	Chip or Block Erase Time		100		100	ms																																										
t_{VCS}	V_{CC} Set-up Time	50		50		μ s																																										

PROGRAM OPERATIONS AC WAVEFORMS - WE# CONTROLLED

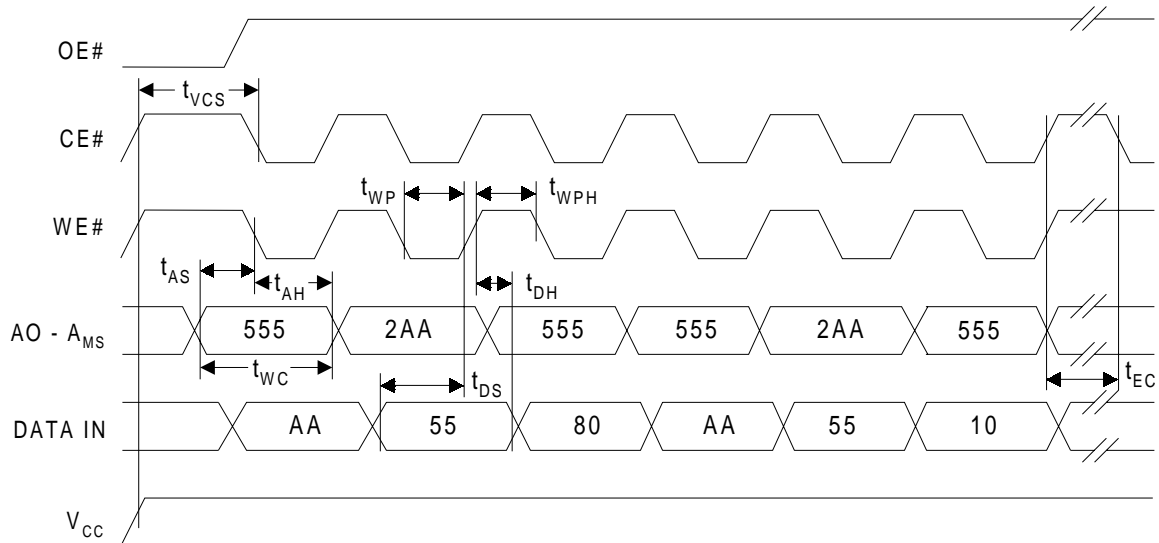


AC CHARACTERISTICS (CONTINUED)

PROGRAM OPERATIONS AC WAVEFORMS - CE# CONTROLLED

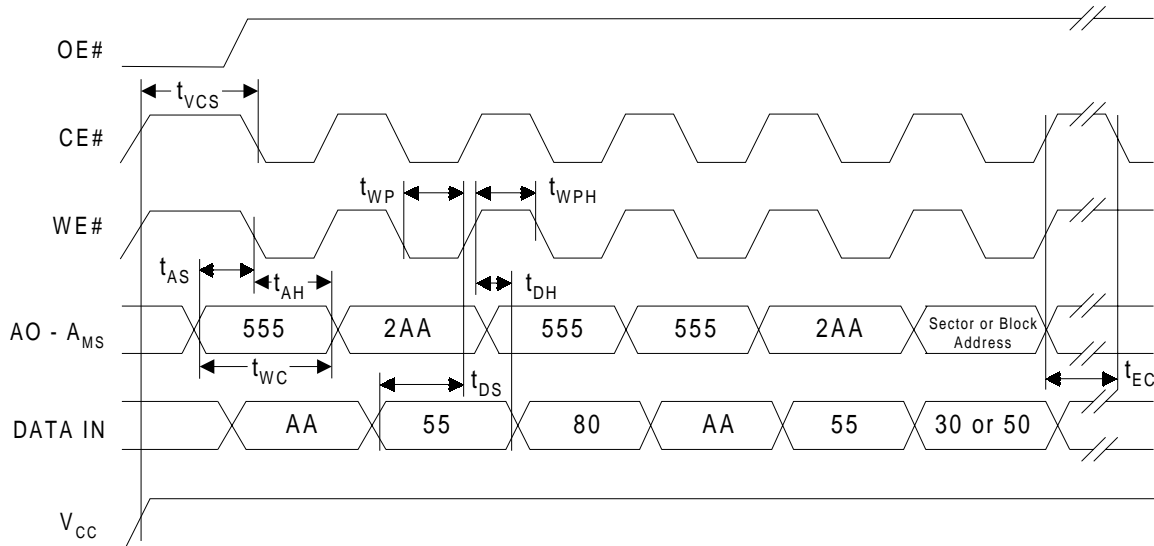


CHIP ERASE OPERATIONS AC WAVEFORMS

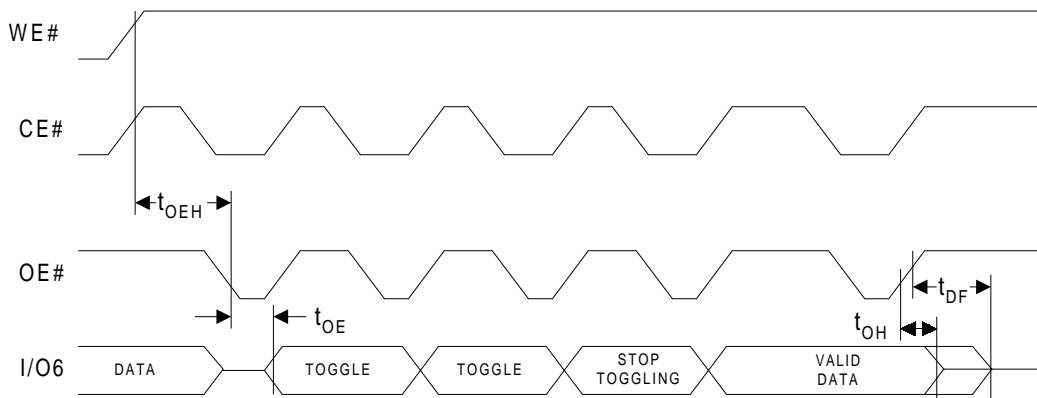


AC CHARACTERISTICS (CONTINUED)

SECTOR OR BLOCK ERASE OPERATIONS AC WAVEFORMS



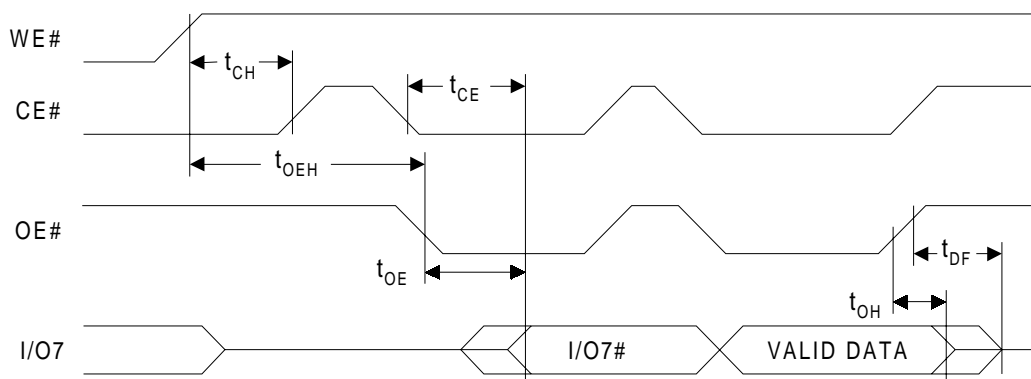
TOGGLE BIT AC WAVEFORMS



Note: Toggling CE#, OE#, or both OE# and CE# will operate Toggle Bit.

AC CHARACTERISTICS (CONTINUED)

DATA# POLLING AC WAVEFORMS



Note: Toggling CE#, OE#, or both OE# and CE# will operate Data# Polling.

PROGRAM/ERASE PERFORMANCE

Parameter	Unit	Typ	Max	Remarks
Sector Erase Time	ms	55	100	From writing erase command to erase completion
Block Erase Time	ms	55	100	From writing erase command to erase completion
Chip Erase Time	ms	55	100	From writing erase command to erase completion
Byte Programming Time	μs	16	30	Excludes the time of four-cycle program command execution

Note: These parameters are characterized but not 100% tested.

RELIABILITY CHARACTERISTICS ⁽¹⁾

Parameter	Min	Typ	Unit	Test Method
Endurance	100,000 ⁽²⁾		Cycles	JEDEC Standard A117
Data Retention	20		Years	JEDEC Standard A103
ESD - Human Body Model	2,000		Volts	JEDEC Standard A114
ESD - Machine Model	200		Volts	JEDEC Standard A115
Latch-Up	100 + I _{CC1}		mA	JEDEC Standard 78

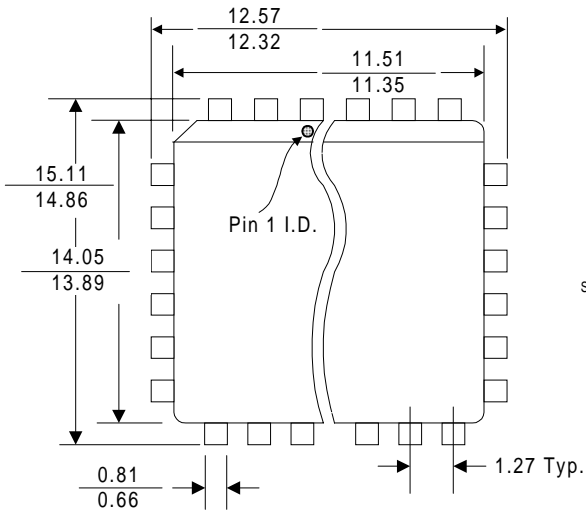
Note: 1. These parameters are characterized but not 100% tested.

2. Preliminary specification only and will be formalized after cycling qualification test.

PACKAGE TYPE INFORMATION

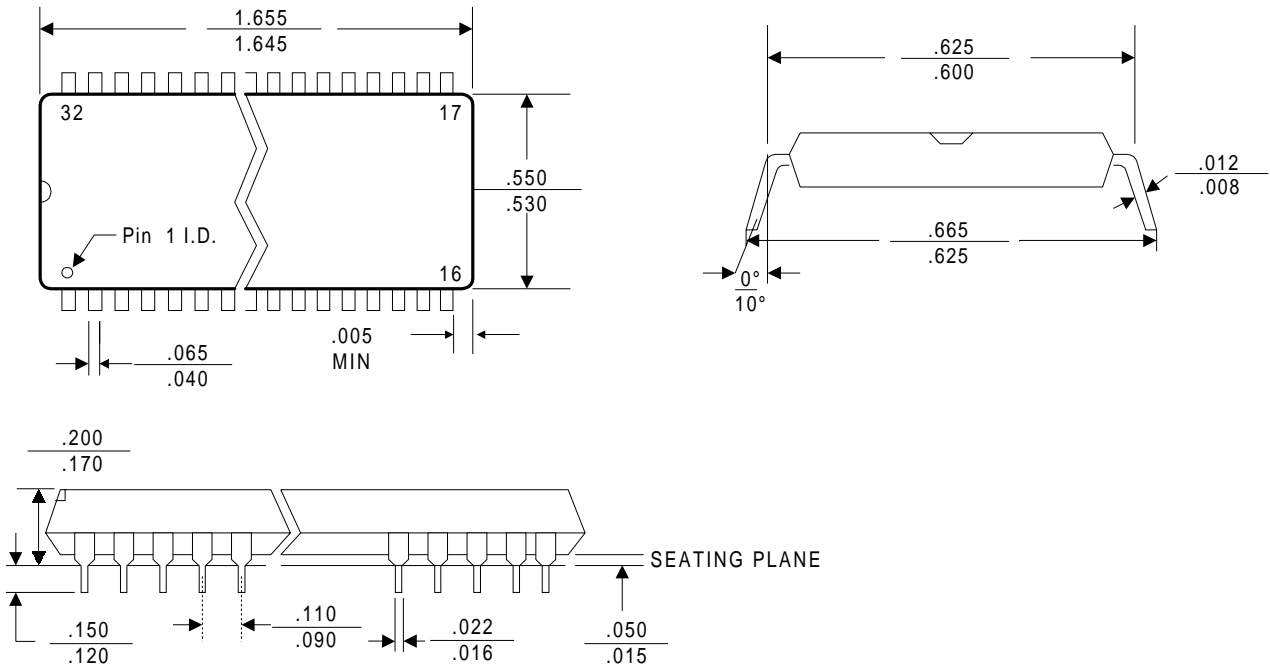
32J

32-Pin Plastic Leaded Chip Carrier Dimensions in Inches (Millimeters)



32P

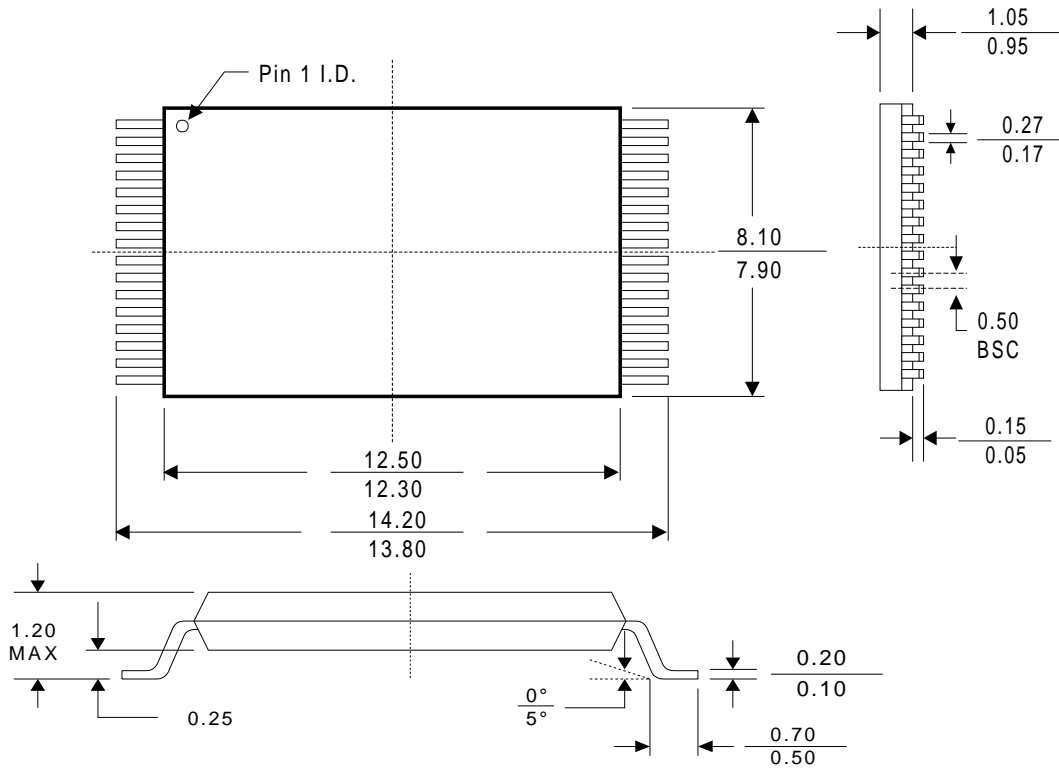
32-Pin Plastic DIP Dimensions in Inches (Millimeters)



PACKAGE TYPE INFORMATION (CONTINUED)

32V

32-Pin Thin Small Outline Package (TSOP 8mm x 14mm)(Millimeters)



REVISION HISTORY

Date	Revision No.	Description of Changes	Page No.
March, 2003	1.0	Preliminary Information	All
August, 2003	1.1	Removed 90 ns read speed grade and formal release; fixed typo on p.6	1,4,14,15,16
December, 2003	1.2	Added Lead-free package options	1, 4, 13
		Upgraded guranteed program/erase cycles from 50,000 to 100,000 (preliminary)	1, 19
		Revised output test load to 30 pF for all speed	15
		Revised typo on package dimension information	20, 21
March, 2004	1.3	Extend the operation range of temperature	All