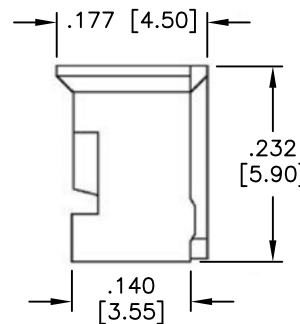
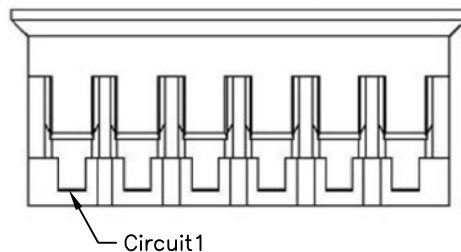
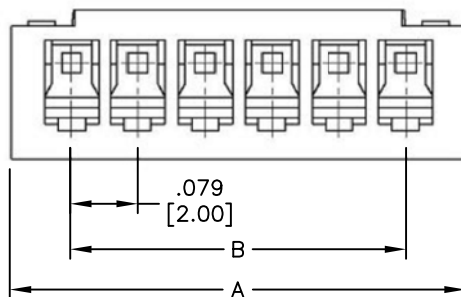


APPROVED: _____
 DATE: _____ TITLE: _____

Rev	AWO #	Description	Date	Appr
-		RELEASED	4/6/05	
A		UPDATE DRAWING	10/8/19	LH/JC



SPECIFICATIONS:

Material:
 Insulator: Nylon 66, rated UL 94V-0
 Insulator color: Brown
 Pantone Color: 153C~154C

Electrical:
 Voltage rating: 300 V AC/DC
 Current rating: 3 Amp AC/DC
 Contact resistance: 20 mohms max
 Insulation resistance: 100 Mohms Min
 Dielectric withstanding voltage: 1,000 VAC for 1 minute
 Temperature Rating:
 -25°C to +85°C
 Environmental:
 Lead free, RoHS compliant



Positions: 2 thru 15

A = .079 [2.00] x No. of Positions + .063 [1.60]

B = .079 [2.00] x No. of Spaces

UNLESS OTHERWISE SPECIFIED
 ALL DIMENSIONS ARE INCHES [MM]
 TOLERANCES: EXCEPT AS NOTED

INCHES		HOLES	
.X	± .10	∅X	± .10
.XX	± .020	∅XX	± .015
.XXX	± .015	∅XXX	± .010

ADAM TECH INTERCONNECTS
 909 Rahway Avenue,
 Union, NJ 07083
 Phone: 908-687-5000
 Fax: 908-687-5710

TITLE
.079 [2.00] CRIMP HOUSING
LOW PROFILE, POLARIZED

APPROVALS		DATE
DRAWN	SS	4/6/05
CHECKED		
APPROVED		

SIZE	PART NO.	REV.
X	2CH-B-XX	A

REF: S00099T SCALE: NTS SHEET 1 OF 1