



# CY74FCT16543T CY74FCT162543T

## 16-Bit Latched Transceivers

### Features

- Low power, pin-compatible replacement for ABT functions
- FCT-C speed at 5.1 ns
- Power-off disable outputs permits live insertion
- Edge-rate control circuitry for significantly improved noise characteristics
- Typical output skew < 250 ps
- ESD > 2000 V
- TSSOP (19.6-mil pitch) and SSOP (25-mil pitch) packages
- Extended commercial range of -40°C to +85°C
- $V_{CC} = 5V \pm 10\%$

### CY74FCT16543T Features:

- 64 mA sink current (Com1), 32 mA source current (Com1)
- Typical  $V_{OLP}$  (ground bounce) < 1.0V at  $V_{CC} = 5V, T_A = 25^\circ C$

### CY74FCT162543T Features:

- Balanced output drivers: 24 mA
- Reduced system switching noise
- Typical  $V_{OLP}$  (ground bounce) < 0.6V at  $V_{CC} = 5V, T_A = 25^\circ C$

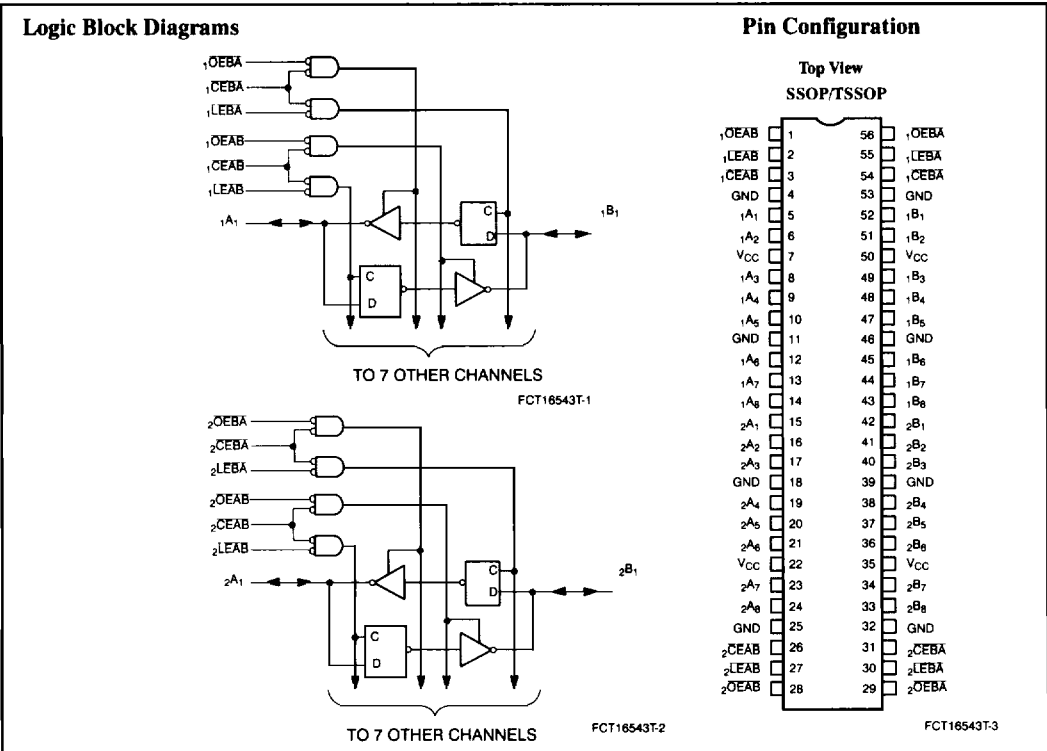
### Functional Description

The CY74FCT16543T and CY74FCT162543T are 16-bit, high-speed, low power latched transceivers that are organized as two independent 8-bit D-type latched transceivers containing twosets of eight D-type latches with separate Latch Enable ( $\overline{LEAB}, \overline{LEAB}$ ) and Output Enable ( $\overline{OEAB}, \overline{OEAB}$ ) controls for each set to permit independent control of inputting and outputting in either direction of data flow. For data flow from A to B, for example, the A-to-B input Enable ( $\overline{CEAB}$ ) must be LOW in order to enter data from A or to take data from B as indicated in the truth table. With  $\overline{CAEB}$  LOW, a LOW signal on the A-to-B Latch Enable ( $\overline{LEAB}$ ) makes the A-to-B latch-transparent; a subsequent LOW-to-

HIGH transition of the  $\overline{LEAB}$  signal puts the A latches in the storage mode and their outputs no longer change with the A inputs. With  $\overline{CEAB}$  and  $\overline{OEAB}$  both LOW, the three-state B output buffers are active and reflect the data present at the output of the A latches. Control of data from B to A is similar, but uses  $\overline{CEAB}, \overline{LEAB}$ , and  $\overline{OEAB}$  inputs flow-through pinout and small shrink packaging and in simplifying board design. The output buffers are designed with a power-off disable feature to allow live insertion of boards.

The CY74FCT16543T is ideally suited for driving high-capacitance loads and low-impedance backplanes.

The CY74FCT162543T has 24-mA balanced output drivers with current limiting resistors in the outputs. This reduces the need for external terminating resistors and provides for minimal undershoot and reduced ground bounce. The CY74FCT162543T is ideal for driving transmission lines.





**Pin Description**

Name	Description
OEAB	A-to-B Output Enable Input (Active LOW)
OEBA	B-to-A Output Enable Input (Active LOW)
CEAB	A-to-B Enable Input (Active LOW)
CEBA	B-to-A Enable Input (Active LOW)
LEAB	A-to-B Latch Enable Input (Active LOW)
LEBA	B-to-A Latch Enable Input (Active LOW)
A	A-to-B Data Inputs or B-to-A Three-State Outputs
B	B-to-A Data Inputs or A-to-B Three-State Outputs

**Function Table<sup>(1)</sup>**

Inputs			Latch Status	Output Buffers
CEAB	LEAB	OEAB	A to B	B
H	X	X	Storing	High Z
X	H	X	Storing	X
X	X	H	X	High Z
L	L	L	Transparent	Current A Inputs
L	H	L	Storing	Previous A Inputs <sup>(2)</sup>

**Maximum Ratings<sup>(3, 4)</sup>**

(Above which the useful life may be impaired. For user guidelines, not tested.)

- Storage Temperature ..... Com'l -55°C to +125°C
- DC Output Voltage ..... -0.5V to +7.0V
- DC Output Current (Maximum Sink Current/Pin) ..... -60 to +120 mA
- Power Dissipation ..... 1.0W

**Notes:**

1. A-to-B data flow shown; B-to-A flow control is the same, except using CEBA, LEBA, and OEBA.
2. Data prior to LEAB LOW-to-HIGH Transition.  
H = HIGH Voltage Level. L = LOW Voltage Level.  
X = Don't Care. Z = High Impedance.

- Ambient Temperature with Power Applied ..... Com'l -55°C to +125°C
- DC Input Voltage ..... -0.5V to +7.0V
- Static Discharge Voltage (per MIL-STD-883, Method 3015) ..... >2001V

3. Operation beyond the limits set forth may impair the useful life of the device. Unless otherwise noted, these limits are over the operating free-air temperature range.
4. Unused inputs must always be connected to an appropriate logic voltage level, preferably either V<sub>CC</sub> or ground.

**Electrical Characteristics** Over the Operating Range

Parameter	Description	Test Conditions	Min.	Typ. <sup>[8]</sup>	Max.	Unit
V <sub>IH</sub>	Input HIGH Voltage		2.0			V
V <sub>IL</sub>	Input LOW Voltage				0.8	V
V <sub>H</sub>	Input Hysteresis <sup>[5]</sup>			100		mV
V <sub>IK</sub>	Input Clamp Diode Voltage	V <sub>CC</sub> =Min., I <sub>IN</sub> = -18 mA		-0.7	-1.2	V
I <sub>IH</sub>	Input HIGH Current	V <sub>CC</sub> =Max., V <sub>I</sub> =V <sub>CC</sub>			±1	μA
I <sub>IL</sub>	Input LOW Current	V <sub>CC</sub> =Max., V <sub>I</sub> =GND			±1	μA
I <sub>OZH</sub>	High Impedance Output Current (Three-State Output pins)	V <sub>CC</sub> =Max., V <sub>OUT</sub> =2.7V			±1	μA
I <sub>OZL</sub>	High Impedance Output Current (Three-State Output pins)	V <sub>CC</sub> =Max., V <sub>OUT</sub> =0.5V			±1	μA
I <sub>OS</sub>	Short Circuit Current <sup>[6]</sup>	V <sub>CC</sub> =Max., V <sub>OUT</sub> =GND	-80	-140	-200	mA
I <sub>O</sub>	Output Drive Current <sup>[6]</sup>	V <sub>CC</sub> =Max., V <sub>OUT</sub> =2.5V	-50		-180	mA
I <sub>OFF</sub>	Power-Off Disable	V <sub>CC</sub> =0V, V <sub>OUT</sub> ≤ 4.5V			±1	μA

**Output Drive Characteristics for CY74FCT16543T**

Parameter	Description	Test Conditions	Min.	Typ. <sup>[8]</sup>	Max.	Unit
V <sub>OH</sub>	Output HIGH Voltage	V <sub>CC</sub> =Min., I <sub>OH</sub> = -3 mA	2.5	3.5		V
		V <sub>CC</sub> =Min., I <sub>OH</sub> = -15 mA	2.4	3.5		V
		V <sub>CC</sub> =Min., I <sub>OH</sub> = -32 mA	2.0	3.0		V
V <sub>OL</sub>	Output LOW Voltage	V <sub>CC</sub> =Min., I <sub>OL</sub> =64 mA		0.2	0.55	V

**Output Drive Characteristics for CY74FCT162543T**

Parameter	Description	Test Conditions	Min.	Typ. <sup>[8]</sup>	Max.	Unit
I <sub>ODL</sub>	Output LOW Current <sup>[6]</sup>	V <sub>CC</sub> =5V, V <sub>IN</sub> =V <sub>IH</sub> or V <sub>IL</sub> , V <sub>OUT</sub> =1.5V	60	115	150	mA
I <sub>ODH</sub>	Output HIGH Current <sup>[6]</sup>	V <sub>CC</sub> =5V, V <sub>IN</sub> =V <sub>IH</sub> or V <sub>IL</sub> , V <sub>OUT</sub> =1.5V	-60	-115	-150	mA
V <sub>OH</sub>	Output HIGH Voltage	V <sub>CC</sub> =Min., I <sub>OH</sub> = -24 mA	2.4	3.3		V
V <sub>OL</sub>	Output LOW Voltage	V <sub>CC</sub> =Min., I <sub>OL</sub> =24 mA		0.3	0.55	V

**Capacitance<sup>[7]</sup>** (T<sub>A</sub> = +25°C, f = 1.0 MHz)

Parameter	Description	Test Conditions	Typ. <sup>[8]</sup>	Max.	Unit
C <sub>IN</sub>	Input Capacitance	V <sub>IN</sub> = 0V	4.5	6.0	pF
C <sub>OUT</sub>	Output Capacitance	V <sub>OUT</sub> = 0V	5.5	8.0	pF

**Notes:**

- This parameter is guaranteed but not tested.
- Not more than one output should be shorted at a time. Duration of short should not exceed one second. The use of high-speed test apparatus and/or sample and hold techniques are preferable in order to minimize internal chip heating and more accurately reflect operational values. Otherwise prolonged shorting of a high output may raise the chip temperature well above normal and thereby cause invalid readings in other parametric tests. In any sequence of parameter tests, I<sub>OS</sub> tests should be performed last.
- This parameter is guaranteed but not tested.
- Typical values are at V<sub>CC</sub>=5.0V, T<sub>A</sub>= +25°C ambient.

**Power Supply Characteristics**

Parameter	Description	Test Conditions		Typ. <sup>[8]</sup>	Max.	Unit
I <sub>CC</sub>	Quiescent Power Supply Current	V <sub>CC</sub> =Max.	V <sub>IN</sub> ≤ 0.2V, V <sub>IN</sub> ≥ V <sub>CC</sub> -0.2V	5	500	μA
ΔI <sub>CC</sub>	Quiescent Power Supply Current (TTL inputs HIGH)	V <sub>CC</sub> =Max.	V <sub>IN</sub> =3.4V <sup>[9]</sup>	0.5	1.5	mA
I <sub>CCD</sub>	Dynamic Power Supply Current <sup>[10]</sup>	V <sub>CC</sub> =Max., One Input Toggling, 50% Duty Cycle, Outputs Open, OE=GND	V <sub>IN</sub> =V <sub>CC</sub> or V <sub>IN</sub> =GND	60	100	μA/ MHz
I <sub>C</sub>	Total Power Supply Current <sup>[11]</sup>	V <sub>CC</sub> =Max., f <sub>1</sub> =10 MHz, 50% Duty Cycle, Outputs Open, One Bit Toggling, OE=GND	V <sub>IN</sub> =V <sub>CC</sub> or V <sub>IN</sub> =GND	0.6	1.5	mA
			V <sub>IN</sub> =3.4V or V <sub>IN</sub> =GND	0.9	2.3	mA
		V <sub>CC</sub> =Max., f <sub>1</sub> =2.5 MHz, 50% Duty Cycle, Outputs Open, Sixteen Bits Toggling, OE=GND	V <sub>IN</sub> =V <sub>CC</sub> or V <sub>IN</sub> =GND	2.4	4.5 <sup>[12]</sup>	mA
			V <sub>IN</sub> =3.4V or V <sub>IN</sub> =GND	6.4	16.5 <sup>[12]</sup>	mA

**Notes:**

9. Per TTL driven input (V<sub>IN</sub>=3.4V); all other inputs at V<sub>CC</sub> or GND.  
 10. This parameter is not directly testable, but is derived for use in Total Power Supply calculations.

11. I<sub>C</sub> = I<sub>QUIESCENT</sub> + I<sub>INPUTS</sub> + I<sub>DYNAMIC</sub>  
 I<sub>C</sub> = I<sub>CC</sub> + ΔI<sub>CC</sub>D<sub>H</sub>N<sub>T</sub> + I<sub>CCD</sub>(f<sub>0</sub>/2 + f<sub>1</sub>N<sub>I</sub>)  
 I<sub>CC</sub> = Quiescent Current with CMOS input levels  
 ΔI<sub>CC</sub> = Power Supply Current for a TTL HIGH input (V<sub>IN</sub>=3.4V)  
 D<sub>H</sub> = Duty Cycle for TTL inputs HIGH

- N<sub>T</sub> = Number of TTL inputs at D<sub>H</sub>  
 I<sub>CCD</sub> = Dynamic Current caused by an input transition pair (HLH or LHL)  
 f<sub>0</sub> = Clock frequency for registered devices, otherwise zero  
 f<sub>1</sub> = Input signal frequency  
 N<sub>I</sub> = Number of inputs changing at f<sub>1</sub>  
 All currents are in milliamps and all frequencies are in megahertz.  
 12. Values for these conditions are examples of the I<sub>CC</sub> formula. These limits are guaranteed but not tested.

**Switching Characteristics Over the Operating Range**

Parameter	Description	Conditions <sup>[13]</sup>	74FCT16543T 74FCT162543T		74FCT16543AT 74FCT162543AT		74FCT16543CT 74FCT162543CT		Unit	Fig. No. <sup>[15]</sup>
			Min. <sup>[14]</sup>	Max.	Min. <sup>[14]</sup>	Max.	Min. <sup>[14]</sup>	Max.		
t <sub>PLH</sub> t <sub>PHL</sub>	Propagation Delay Transparent Mode A to B or B to A	C <sub>L</sub> =50pF R <sub>L</sub> =500Ω	1.5	8.5	1.5	6.5	1.5	5.1	ns	1, 3
t <sub>PLH</sub> t <sub>PHL</sub>	Propagation Delay LEBA to A, LEAB to B		1.5	12.5	1.5	8.0	1.5	5.6	ns	1, 5
t <sub>PZH</sub> t <sub>PZL</sub>	Output Enable Time OEBA or OEAB to A or B CEBA or CEAB to A or B		1.5	12.0	1.5	9.0	1.5	7.8	ns	1, 7, 8
t <sub>PHZ</sub> t <sub>PLZ</sub>	Output Disable Time OEBA or OEAB to A or B CEBA or CEAB to A or B		1.5	9.0	1.5	7.5	1.5	6.5	ns	1, 7, 8
t <sub>SU</sub>	Set-up Time HIGH or LOW A or B to LEAB or LEBA		2.0	—	2.0	—	2.0	—	ns	4
t <sub>H</sub>	Hold Time HIGH or LOW A or B to LEAB or LEBA		2.0	—	2.0	—	2.0	—	ns	4
t <sub>w</sub>	LEBA or LEAB Pulse Width LOW		4.0	—	4.0	—	4.0	—	ns	5
t <sub>SK(O)</sub>	Output Skew <sup>[16]</sup>		—	0.5	—	0.5	—	0.5	ns	—

**Notes:**

13. See test circuits and waveforms.

14. Minimum limits are guaranteed but not tested on Propagation Delays.

15. See "Parameter Measurement Information" in the General Information Section.

16. Skew between any two outputs of the same package switching in the same directional. This parameter is guaranteed by design.



**Ordering Information CY74FCT16543**

Speed (ns)	Ordering Code	Package Name	Package Type	Operating Range
5.1	CY74FCT16543CTPAC	Z56	56-Lead (240-Mil) TSSOP	Commercial
	CY74FCT16543CTPVC	O56	56-Lead (300-Mil) SSOP	
6.5	CY74FCT16543ATPAC	Z56	56-Lead (240-Mil) TSSOP	Commercial
	CY74FCT16543ATPVC	O56	56-Lead (300-Mil) SSOP	
8.5	CY74FCT16543TPAC	Z56	56-Lead (240-Mil) TSSOP	Commercial
	CY74FCT16543TPVC	O56	56-Lead (300-Mil) SSOP	

**Ordering Information CY74FCT162543**

Speed (ns)	Ordering Code	Package Name	Package Type	Operating Range
5.1	CY74FCT162543CTPAC	Z56	56-Lead (240-Mil) TSSOP	Commercial
	CY74FCT162543CTPVC	O56	56-Lead (300-Mil) SSOP	
6.5	CY74FCT162543ATPAC	Z56	56-Lead (240-Mil) TSSOP	Commercial
	CY74FCT162543ATPVC	O56	56-Lead (300-Mil) SSOP	
8.5	CY74FCT162543TPAC	Z56	56-Lead (240-Mil) TSSOP	Commercial
	CY74FCT162543TPVC	O56	56-Lead (300-Mil) SSOP	

Document #: 38-00388