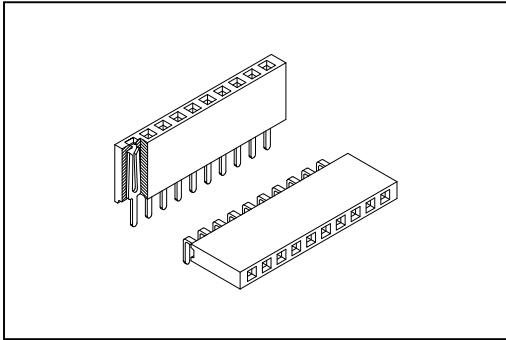


# 2044 Series

## P.C.B. Socket 2.54mm(0.100")



### Material:

Housing: Thermoplastic Polyester Glass Filled UL94V-0.

Contacts: Copper Alloy.

### Electrical Characteristics:

Current Rating: 2 A.

Dielectric Withstanding Voltage: AC 1000V.

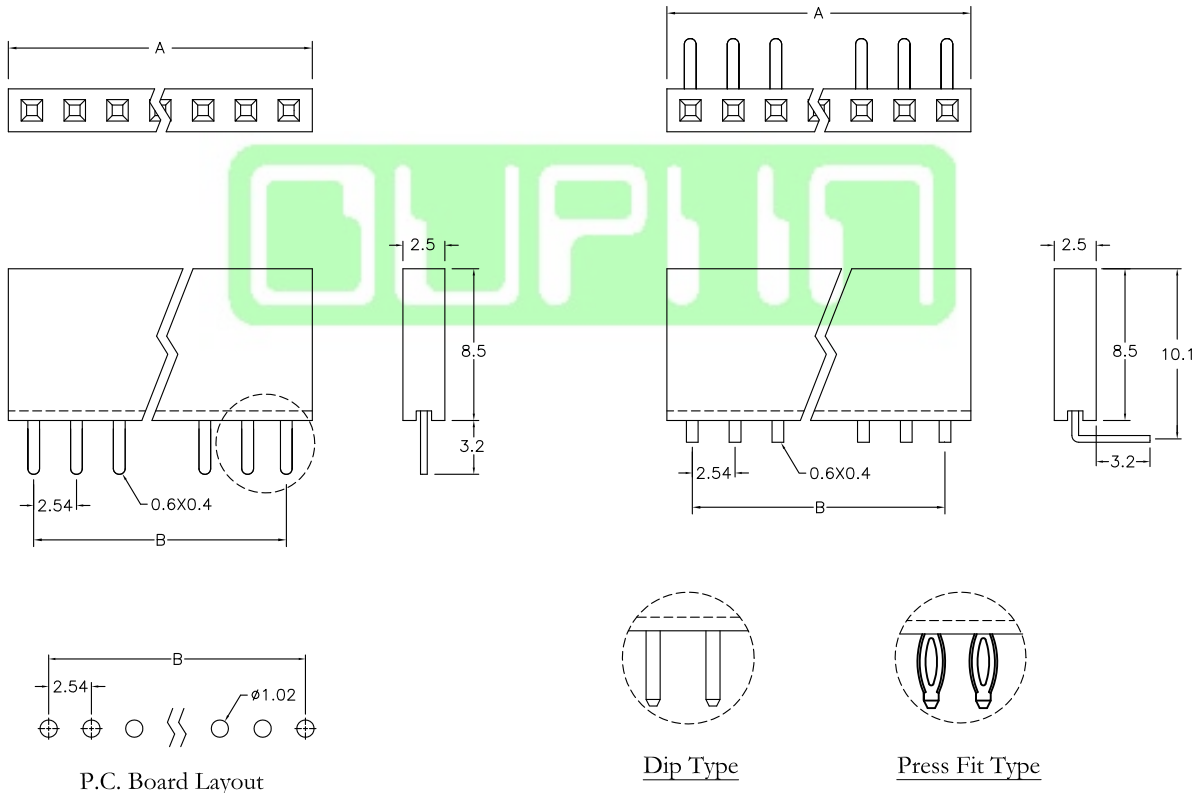
Insulator Resistance: 1000M $\Omega$  min.

Contact Resistance: 20m $\Omega$  max.

Operating Temperature: -55°C~+105°C.

### Features:

- \* Available in Straight , Right Angle & Press Fit.
  - \* High profile 8.50mm (0.335").
  - \* Mates with 0.64mm (0.025") square pin.
  - \* Tuning fork contacts offer lower cost for competitive market.
  - \* Additional plating options available.
- Mates with: 2011,2012,2015.



Position Dimension	2 Thru 40
A	2.54 X No. of Positions +0.4
B	2.54 X No. of Positions -2.54

## Ordering information

**2044-** Series   
 **1** Single Row   
 **X**   
 **40** No. of Pin Per Row   
 **G** G: Gold Plated   
 **00** 00: G/F   
 **S** S: Straight R: Right Angle   
 **P** Blank: Dip Type P: Press Fit Type   
 **A** A: Tray Package B: Bulk Package