

## USB1T1102 Universal Serial Bus Peripheral Transceiver with Voltage Regulator

### General Description

This chip provides a USB Transceiver functionality with a voltage regulator that is compliant to USB Specification Rev 2.0. this integrated 5V to 3.3V regulator allows interfacing of USB Application specific devices with supply voltages ranging from 1.65V to 3.6V with the physical layer of Universal Serial Bus. It is capable of operating at 12Mbps/s (full speed) data rates and hence is fully compliant to USB Specification Rev 2.0. The Vbusmon pin allows for monitoring the Vbus line.

The USB1T1102 also provides exceptional ESD protection with 15kV contact HBM on D+, D- pins.

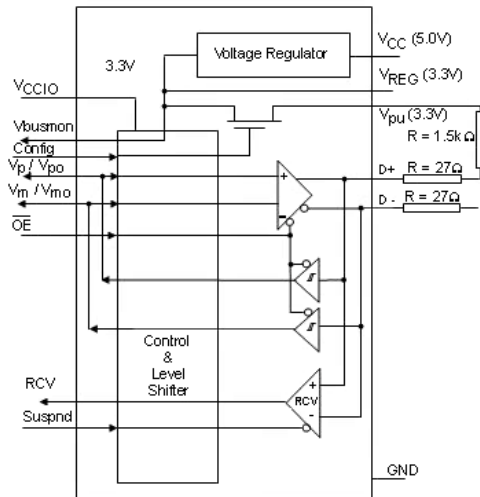
### Features

- Complies with Universal Serial Bus Specification 2.0
- Integrated 5V to 3.3V voltage regulator for powering VBus
- Utilizes digital inputs and outputs to transmit and receive USB cable data
- Supports full speed (12Mbps/s) data rates
- Ideal for portable electronic devices
- MLP technology package (16 pin) with HBCC footprint
- 15kV contact HBM ESD protection on bus pins

### Ordering Code:

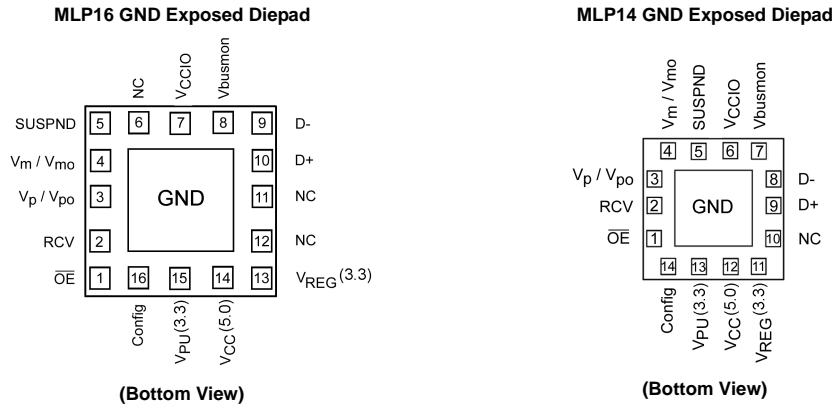
Order Number	Package Number	Package Description
USB1T1102MPX	MLP14D	Pb-Free 14-Terminal Molded Leadless Package (MLP), 2.5mm Square
USB1T1102MHX	MLP16HB	Pb-Free 16-Terminal Molded Leadless Package (MHBCC), JEDEC MO-217, 3mm Square
USB1T1102RMPX (Preliminary)	MLP14D	Pb-Free 14-Terminal Molded Leadless Package (MLP), 2.5mm Square
USB1T1102RMHX (Preliminary)	MLP16HB	Pb-Free 16-Terminal Molded Leadless Package (MHBCC), JEDEC MO-217, 3mm Square

### Logic Diagram



**Note:** On the USB1T1102R (Preliminary) the 1.5k resistor is integrated into the part, and connects V<sub>PU</sub> and D+ eliminating the need for this external pull-up resistor.

## Connection Diagrams



## Terminal Descriptions

Terminal Number		Terminal Name	I/O	Terminal Description
MLP14	MLP16			
1	1	$\overline{OE}$	I	Output Enable: Active LOW enables the transceiver to transmit data on the bus. When not active the transceiver is in the receive mode (CMOS level is relative to $V_{CCIO}$ )
2	2	RCV	O	Receive Data Output: Non-inverted CMOS level output for USB differential Input (CMOS output level is relative to $V_{CCIO}$ ). Driven LOW when SUSPND is HIGH; RCV output is stable and preserved during SE0 condition.
3	3	$V_p/V_{po}$	I/O	Single-ended D+ receiver output $V_p$ (CMOS level relative to $V_{CCIO}$ ): Used for external detection of SE0, error conditions, speed of connected device; Pin also acts as drive data input $V_{po}$ (see Table 1 and Table 2). Output drive is 4 mA buffer.
4	4	$V_m/V_{mo}$	I/O	Single-ended D- receiver output $V_m$ (CMOS level relative to $V_{CCIO}$ ): Used for external detection of SE0, error conditions, speed of connected device; Pin also acts as drive data input $V_{mo}$ (see Table 1 and Table 2). Output drive is 4 mA buffer.
5	5	SUSPND	I	Suspend: Enables a low power state (CMOS level is relative to $V_{CCIO}$ ). While the SUSPND pin is active (HIGH) it will drive the RCV pin to logic "0" state.
—	6	NC		No Connect
6	7	$V_{CCIO}$		Supply Voltage for digital I/O pins (1.65V to 3.6V): When not connected the D+ and D- pins are in 3-STATE. This supply bus is totally independent of $V_{CC}$ (5V) and $V_{REG}$ (3.3V).
7	8	Vbusmon	O	Vbus monitor output (CMOS level relative to $V_{CCIO}$ ): When $V_{bus} > 4.1V$ then Vbusmon = HIGH and when $V_{bus} < 3.6V$ then Vbusmon = LOW. If SUSPND = HIGH then Vbusmon is pulled HIGH.
9, 8	10, 9	D+, D-	A/I/O	Data +, Data -: Differential data bus conforming to the USB standard.
10	11	NC		No Connect
—	12	NC		No Connect
11	13	$V_{REG}$ (3.3V)		Internal Regulator Option: Regulated supply output voltage (3.0V to 3.6V) during 5V operation; decoupling capacitor of at least 0.1 $\mu F$ is required. Regulator ByPass Option: Used as supply voltage input for 3.3V operation.
12	14	$V_{CC}$ (5.0V)		Internal Regulator Option: Used as supply voltage input (4.0V to 5.5V); can be connected directly to USB line Vbus. Regulator ByPass Option: Connected to $V_{REG}$ (3.3V)

## Terminal Descriptions (Continued)

Terminal Number		Terminal Name	I/O	Terminal Description
MLP14	MLP16			
13	15	V <sub>PU</sub> (3.3V)		Pull-up Supply Voltage (3.3V ± 10%); Connect an external 1.5kΩ resistor on D+ (FS data rate); Pin function is controlled by Config input pin: Config = LOW – V <sub>PU</sub> (3.3V) is floating (High Impedance) for zero pull-up current. Config = HIGH – V <sub>PU</sub> (3.3V) = 3.3V; internally connected to V <sub>REG</sub> (3.3V).
14	16	Config	I	USB connect or disconnect software control input. Configures 3.3V to external 1.5kΩ resistor on D+ when HIGH.
Exposed Diepad	Exposed Diepad	GND	GND	GND supply down bonded to exposed diepad to be connected to the PCB GND.

## Functional Description

The USB1T1102 transceiver is designed to convert CMOS data into USB differential bus signal levels and to convert USB differential bus signal to CMOS data.

To minimize EMI and noise the outputs are edge rate controlled with the rise and fall times controlled and defined for full speed data rates only (12Mbits/s). The rise, fall times are balanced between the differential pins to minimize skew.

The USB1T1102 differs from earlier USB Transceiver in that the V<sub>p</sub>/V<sub>m</sub> and V<sub>po</sub>/V<sub>mo</sub> pins are now I/O pins rather than discrete input and output pins. Table 1 describes the specific pin functionality selection. Table 2 and Table 3 describe the specific Truth Tables for Driver and Receiver operating functions.

The USB1T1102 also has the capability of various power supply configurations to support mixed voltage supply applications (see Table 4) and Section 2.1 for detailed descriptions.

## Functional Tables

TABLE 1. Function Select

SUSPND	$\overline{\text{OE}}$	D+, D-	RCV	V <sub>p</sub> /V <sub>po</sub>	V <sub>m</sub> /V <sub>mo</sub>	Function
L	L	Driving & Receiving	Active	V <sub>po</sub> Input	V <sub>mo</sub> Input	Normal Driving (Differential Receiver Active)
L	H	Receiving (Note 1)	Active	V <sub>p</sub> Output	V <sub>m</sub> Output	Receiving
H	L	Driving	Inactive (Note 2)	V <sub>po</sub> Input	V <sub>mo</sub> Input	Driving during Suspend (Differential Receiver Inactive)
H	H	3-STATE (Note 1)	Inactive (Note 2)	V <sub>p</sub> Output	V <sub>m</sub> Output	Low Power State

Note 1: Signal levels is function of connection and/or pull-up/pull-down resistors.

Note 2: For SUSPND = HIGH mode the differential receiver is inactive and the output RCV is forced LOW. The out-of-suspend signaling (K) is detected via the single-ended receivers of the V<sub>p</sub>/V<sub>po</sub> and V<sub>m</sub>/V<sub>mo</sub> pins.

TABLE 2. Driver Function ( $\overline{\text{OE}} = \text{L}$ ) using Differential Input Interface

V <sub>m</sub> /V <sub>mo</sub>	V <sub>p</sub> /V <sub>po</sub>	Data
L	L	SE0 (Note 3)
L	H	Differential Logic 1
H	L	Differential Logic 0
H	H	Illegal State

Note 3: SE0 = Single Ended Zero

TABLE 3. Receiver Function ( $\overline{\text{OE}} = \text{H}$ )

D+, D-	RCV	V <sub>p</sub> /V <sub>po</sub>	V <sub>m</sub> /V <sub>mo</sub>
Differential Logic 1	H	H	L
Differential Logic 0	L	L	H
SE0	X	L	L

X = Don't Care

## Power Supply Configurations and Options

The USB1T1102 may be operated in two power supply modes.

1. Normal (Regulator) Mode: For 5V operation  $V_{CC}$  is connected to 5V source (4.0V to 5.5V) and the internal voltage regulator then produces 3.3V for the USB connections.

2. Bypass Mode: For 3.3V operation both  $V_{CC}$  and  $V_{REG}$  are connected to a 3.3V source (3.0V to 3.6V)

In both cases for normal mode the  $V_{CCIO}$  is an independent voltage source (1.65V to 3.6V) that is a function of the external circuit configuration.

A summary of the Supply Configurations is described in Table 4.

**TABLE 4. Power Supply Configuration Options**

Pins	Power Supply Mode Configuration	
	Normal (Regulated Output)	Normal (Regulator Bypass)
$V_{CC}$ (5V)	Connected to 5V Source	Connected to $V_{REG}$ (3.3V) [Max Drop of 0.3V] (2.7V to 3.6V)
$V_{REG}$ (3.3V)	3.3V, 300 $\mu$ A Regulated Output	Connected to 3.3V Source
$V_{CCIO}$	1.65V to 3.6V Source	1.65V to 3.6V Source
$V_{PU}$	3.3V Available if Config = HIGH	3.3V Available if Config = HIGH
D+, D-	Function of Mode Set Up	Function of Mode Set Up
$V_p/V_{po}$ , $V_m/V_{mo}$	Function of Mode Set Up	Function of Mode Set Up
RCV	Function of Mode Set Up	Function of Mode Set Up
Vbusmon	Function of Mode Set Up	Function of Mode Set Up
OE, SUSPND Config	Function of Mode Set Up	Function of Mode Set Up

## ESD Protection

### ESD Performance of the USB1T1102

HBM D+/D-: 15.0kV

HBM, all other pins (Mil-Std 883E): 6.5kV

### ESD Protection: D+/D- Pins

Since the differential pins of a USB transceiver may be subjected to extreme ESD voltages, additional immunity has been included in the D+ and D- pins without compromising performance. The USB1T1102 differential pins have ESD protection to the following limits:

- 15kV using the contact Human Body Model
- 8kV using the Contact Discharge method as specified in IEC 61000-4-2

### Human Body Model

Figure 1 shows the schematic representation of the Human Body Model ESD event. Figure 2 is the ideal waveform representation of the Human Body Model.

### IEC 61000-4-2, IEC 60749-26 and IEC 60749-27

The IEC 61000-4-2 standard covers ESD testing and performance of finished equipment, and as such evaluates the equipment in its entirety for ESD immunity. Fairchild Semiconductor has evaluated this device using the IEC 6100-4-2 representative system model depicted in Figure 3. Under the additional standards set forth by the IEC, this device is also compliant with IEC 60749-26 (HBM) and IEC 60749-27 (MM).

### Additional ESD Test Conditions

For additional information regarding our product test methodologies and performance levels, please contact Fairchild Semiconductor.

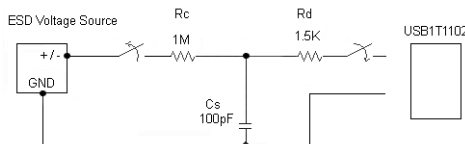


FIGURE 1. Human Body ESD Test Model

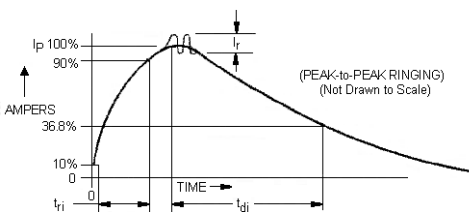


FIGURE 2. HBM Current Waveform

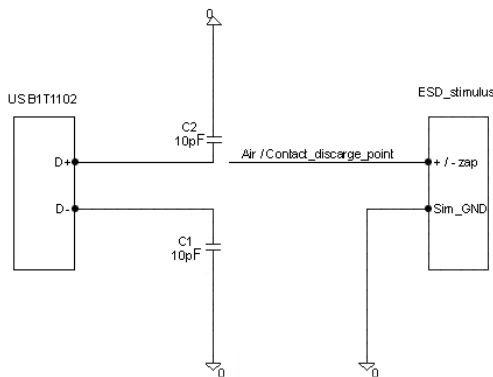


FIGURE 3. IEC 61000-4-2 ESD Test Model

**Absolute Maximum Ratings** (Note 4)

Supply Voltage ( $V_{CC}$ ) (5V)	-0.5V to +6.0V
I/O Supply Voltage ( $V_{CCIO}$ )	-0.5V to +4.6V
Latch-up Current ( $I_{LU}$ )	150 mA
$V_I = -1.8V$ to +5.4V	
DC Input Current ( $I_{IK}$ )	
$V_I < 0$	-50 mA
DC Input Voltage ( $V_I$ )	
(Note 5)	-0.5V to $V_{CCIO}$ +5.5V
DC Output Diode Current ( $I_{OK}$ )	
$V_O > V_{CC}$ or $V_O < 0$	±50 mA
DC Output Voltage ( $V_O$ )	
(Note 5)	-0.5V to $V_{CCIO}$ + 0.5V
Output Source or Sink Current ( $I_O$ )	
$V_O = 0$ to $V_{CC}$	
Current for D+, D- Pins	±50 mA
Current for RCV, $V_m/V_p$	±15 mA
DC $V_{CC}$ or GND Current	
( $I_{CC}$ , $I_{GND}$ )	±100 mA
ESD Immunity Voltage ( $V_{ESD}$ ):	
Contact HBM	
Pins D+, D-, $V_{CC}$ (5.5V) and GND	15kV
All Other Pins	6.5kV
Storage Temperature ( $T_{STO}$ )	-40°C to + 125°C
Power Dissipation ( $P_{TOT}$ )	
$I_{CC}$ (5V)	48 mW
$I_{CCIO}$	9 mW

**Recommended Operating Conditions**

DC Supply Voltage $V_{CC}$ (5V)	4.0V to 5.5V
I/O DC Voltage $V_{CCIO}$	1.65V to 3.6V
DC Input Voltage Range ( $V_I$ )	0V to $V_{CCIO}$ +5.5V
DC Input Range for A/I/O ( $V_{A/I/O}$ )	0V to $V_{CC}$
Pins D+ and D-	0V to 3.6V
Operating Ambient Temperature ( $T_{AMB}$ )	-40°C to +85°C

**Note 4:** The Absolute Maximum Ratings are those values beyond which the safety of the device cannot be guaranteed. The device should not be operated at these limits. The parametric values defined in the Electrical Characteristic tables are not guaranteed at the absolute maximum rating. The "Recommended Operating Conditions" table will define the conditions for actual device operation.

**Note 5:** IO Absolute Maximum Rating must be observed.

**DC Electrical Characteristics** (Supply Pins)

Over recommended range of supply voltage and operating free air temperature (unless otherwise noted).  $V_{CC}$  (5V) = 4.0V to 5.5V or  $V_{REG}$  (3.3V) = 3.0V to 3.6V,  $V_{CCIO}$  = 1.65V to 3.6V

Symbol	Parameter	Conditions	Limits			Units
			-40°C to +85°C			
			Min	Typ	Max	
$V_{REG}$ (3.3V)	Regulated Supply Output	Internal Regulator Option; $I_{LOAD} \leq 300 \mu A$	3.0 (Note 6)(Note 7)	3.3	3.6	V
$I_{CC}$	Operating Supply Current ( $V_{CC}$ 5.0)	Transmitting and Receiving at 12 Mbits/s; $C_{LOAD} = 50$ pF (D+, D-)		4.0 (Note 8)	8.0	mA
$I_{CCIO}$	I/O Operating Supply Current	Transmitting and Receiving at 12 Mbits/s		1.0 (Note 8)	2.0	mA
$I_{CC}$ (IDLE)	Supply Current during FS IDLE and SE0 ( $V_{CC}$ 5.0)	IDLE: $V_{D+} \geq 2.7V$ , $V_{D-} \leq 0.3V$ ; SE0: $V_{D+} \leq 0.3V$ , $V_{D-} \leq 0.3V$			300 (Note 9)	$\mu A$
$I_{CCIO}$ (STATIC)	I/O Static Supply Current	IDLE, SUSPND or SE0			20.0	$\mu A$
$I_{CC}$ (SUSPND)	Suspend Supply Current USB1T1102	SUSPND = HIGH OE = HIGH $V_m = V_p = OPEN$			25.0 (Note 9)	$\mu A$
	Suspend Supply Current USB1T1102R	SUSPND = HIGH OE = HIGH $V_p = V_m = OPEN$			40.0 (Note 10)	
$V_{CCTH}$	$V_{CC}$ Threshold Detection Voltage	$1.65V \leq V_{CCIO} \leq 3.6V$				V
		Supply Lost			3.6	
		Supply Present	4.1			
$V_{CCHYS}$	$V_{CC}$ Threshold Detection Hysteresis Voltage	$V_{CCIO} = 1.8V$		70.0		mV

DC Electrical Characteristics (Continued)						
Symbol	Parameter	Conditions	Limits			Units
			-40°C to +85°C			
			Min	Typ	Max	
V <sub>CCIO</sub> TH	V <sub>CCIO</sub> Threshold Detection Voltage	2.7V ≤ V <sub>REG</sub> ≤ 3.6V				V
		Supply Lost			0.5	
		Supply Present	1.4			
V <sub>CCIO</sub> HYS	V <sub>CCIO</sub> Threshold Detection Hysteresis Voltage	V <sub>REG</sub> = 3.3V		450		mV
V <sub>REG</sub> TH	Regulated Supply Threshold Detection Voltage	1.65V ≤ V <sub>CCIO</sub> ≤ V <sub>REG</sub>				V
		2.7V ≤ V <sub>REG</sub> ≤ 3.6V				
		Supply Lost		0.8		
	Supply Present	2.4 (Note 11)				
V <sub>REG</sub> HYS	Regulated Supply Threshold Detection Hysteresis Voltage	V <sub>CCIO</sub> = 1.8V		450		mV
<p><b>Note 6:</b> I<sub>LOAD</sub> includes the pull-up resistor current via pin V<sub>PU</sub></p> <p><b>Note 7:</b> The minimum voltage in Suspend mode is 2.7V.</p> <p><b>Note 8:</b> Not tested in production, value based on characterization.</p> <p><b>Note 9:</b> Excludes any current from load and V<sub>PU</sub> current to the 1.5kΩ resistor.</p> <p><b>Note 10:</b> Includes current between V<sub>pu</sub> and the 1.5k internal pull-up resistor.</p> <p><b>Note 11:</b> When V<sub>CCIO</sub> &lt; 2.7V, minimum value for V<sub>REG</sub>TH = 2.0V for supply present condition.</p>						
DC Electrical Characteristics (Digital Pins – excludes D+, D- Pins)						
Over recommended range of supply voltage and operating free air temperature (unless otherwise noted). V <sub>CCIO</sub> = 1.6V to 3.6V						
Symbol	Parameter	Test Conditions	Limits		Units	
			-40°C to +85°C			
			Min	Max		
<b>Input Levels</b>						
V <sub>IL</sub>	LOW Level Input Voltage			0.3	V	
V <sub>IH</sub>	HIGH Level Input Voltage		0.6*V <sub>CCIO</sub>		V	
OUTPUT LEVELS:						
V <sub>OL</sub>	LOW Level Output Voltage	I <sub>OL</sub> = 2 mA		0.4	V	
		I <sub>OL</sub> = 100 μA		0.15		
V <sub>OH</sub>	HIGH Level Output Voltage	I <sub>OH</sub> = 2 mA	V <sub>CCIO</sub> - 0.4		V	
		I <sub>OH</sub> = 100 μA	V <sub>CCIO</sub> - 0.15			
<b>Leakage Current</b>						
I <sub>LI</sub>	Input Leakage Current	V <sub>CCIO</sub> = 1.65V to 3.6V		±1.0 (Note 12)	μA	
<b>Capacitance</b>						
C <sub>IN</sub> , C <sub>I/O</sub>	Input Capacitance	Pin to GND		10.0	pF	
<b>Note 12:</b> If V <sub>CCIO</sub> ≥ V <sub>REG</sub> then leakage current will be higher than specified.						

**DC Electrical Characteristics** (Analog I/O Pins – D+, D– Pins)

Over recommended range of supply voltage and operating free air temperature (unless otherwise noted).  
 $V_{CC} = 4.0V$  to  $5.5V$  or  $V_{REG} = 3.0V$  to  $3.6V$

Symbol	Parameter	Test Condition	Limits			Units
			-40°C to +85°C			
			Min	Typ	Max	
<b>Input Levels – Differential Receiver</b>						
$V_{DI}$	Differential Input Sensitivity	$ V_{I(D+)} - V_{I(D-)} $	0.2			V
$V_{CM}$	Differential Common Mode Voltage		0.8		2.5	V
<b>INPUT LEVELS – Single-ended Receiver</b>						
$V_{IL}$	LOW Level Input Voltage				0.8	V
$V_{IH}$	HIGH Level Input Voltage		2.0			V
$V_{HYS}$	Hysteresis Voltage		0.30		0.7	V
<b>Output Levels</b>						
$V_{OL}$	LOW Level Output Voltage	$R_L = 1.5k\Omega$ to $3.6V$			0.3	V
$V_{OH}$	HIGH Level Output Voltage	$R_L = 15k\Omega$ to GND	2.8 (Note 13)		3.6	V
<b>Leakage Current</b>						
$I_{OFF}$	Input Leakage Current Off State				$\pm 1.0$	$\mu A$
<b>CAPACITANCE</b>						
$C_{I/O}$	I/O Capacitance	Pin to GND			20.0	pF
<b>Resistance</b>						
$Z_{DRV}$	Driver Output Impedance			41.0 (Note 14)		$\Omega$
$Z_{IN}$	Driver Input Impedance		10.0			M $\Omega$
$R_{SW}$	Switch Resistance				10.0	$\Omega$
$V_{TERM}$	Termination Voltage	$R_{PU}$ Upstream Port	3.0 (Note 15) (Note 16)		3.6	V

**Note 13:** If  $V_{OH\ min.} = V_{REG} - 0.2V$ .

**Note 14:** Includes external resistors of  $29\Omega$  on both D+ and D– pins.

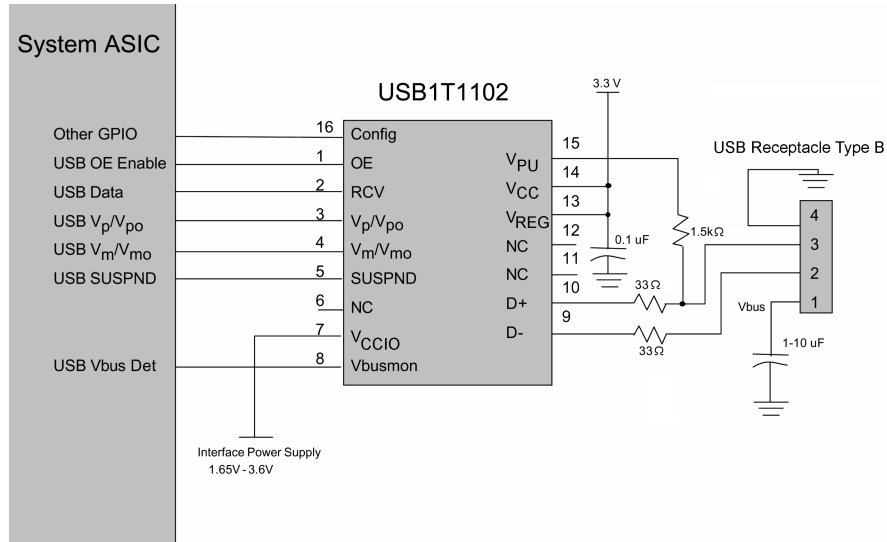
**Note 15:** This voltage is available at pin  $V_{PU}$  and  $V_{REG}$ .

**Note 16:** Minimum voltage is 2.7V in the suspend mode.

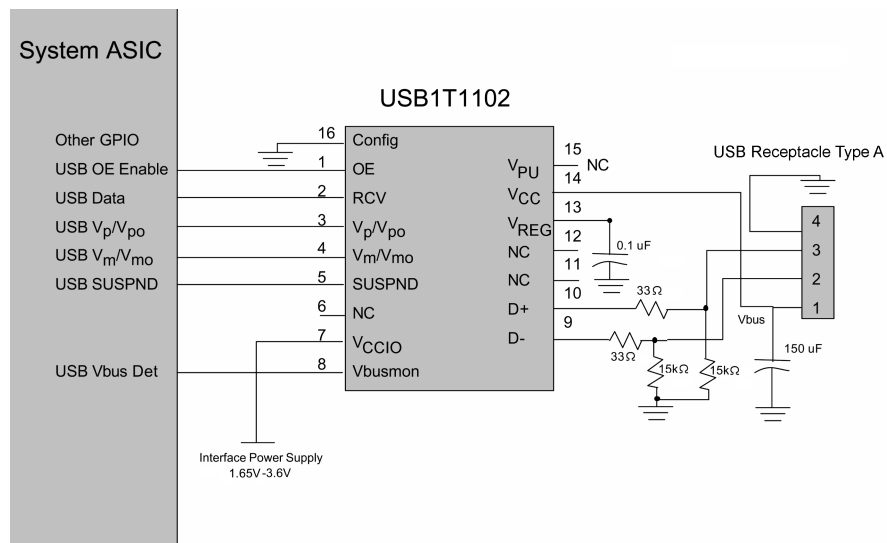


<b>AC Electrical Characteristics</b> (A I/O Pins Full Speed)						
Over recommended range of supply voltage and operating free air temperature (unless otherwise noted). $V_{CC} = 4.0V$ to $5.5V$ or $V_{REG} = 3.0V$ to $3.6V$ , $V_{CCIO} = 1.65V$ to $3.6V$ , $C_L = 50$ pF; $R_L = 1.5K$ on $D+$ to $V_{PU}$						
Symbol	Parameter	Test Conditions	Limits			Unit
			-40°C to +85°C			
			Min	Typ	Max	
<b>Driver Characteristics</b>						
$t_R$	Output Rise Time	$C_L = 50 - 125$ pF	4.0		20.0	ns
$t_F$	Output Fall Time	10% to 90% Figures 4, 8	4.0		20.0	
$t_{RFM}$	Rise/Fall Time Match	$t_F / t_R$ Excludes First Transition from Idle State	90.0		111.1	%
$V_{CRS}$ (Note 17)	Output Signal Crossover Voltage	Excludes First Transition from Idle State see Waveform	1.3		2.0	V
<b>Driver Timing</b>						
$t_{PLH}$ $t_{PHL}$	Propagation Delay ( $V_p/V_{p0}$ , $V_m/V_{m0}$ to $D+/D-$ )	Figures 5, 8			18.0	ns
$t_{PHZ}$ $t_{PLZ}$	Driver Disable Delay ( $\overline{OE}$ to $D+/D-$ )	Figures 7, 9			15.0	ns
$t_{PZH}$ $t_{PZL}$	Driver Enable Delay ( $\overline{OE}$ to $D+/D-$ )	Figures 7, 9			15.0	ns
<b>Receiver Timing</b>						
$t_{PLH}$ $t_{PHL}$	Propagation Delay (Diff) ( $D+/D-$ to Rev)	Figures 6, 10			15.0	ns
$t_{PLH}$ $t_{PHL}$	Single Ended Receiver Propagation Delay ( $D+/D-$ to $V_p/V_{p0}$ , $V_m/V_{m0}$ )	Figures 6, 10			18.0	ns
<b>Note 17:</b> Not production tested, guaranteed by characterization.						

### Typical Application Configurations



Upstream Connection in Bypass Mode with Differential Outputs



Downstream Connection in Normal Mode with Differential Outputs

AC Waveforms

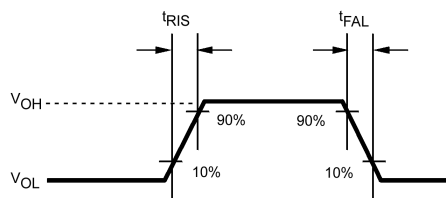


FIGURE 4. Rise and Fall Times

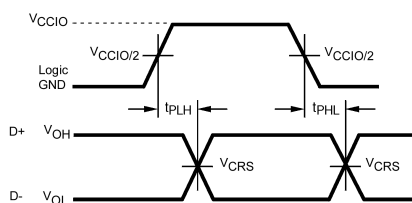


FIGURE 5.  $V_{po}$ ,  $V_{mo}$  to D+/D-

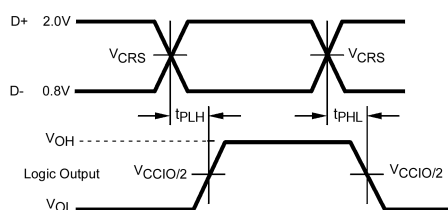


FIGURE 6. D+/D- to  $R_{CV}$ ,  $V_{po}/V_p$  and  $V_{mo}/V_m$

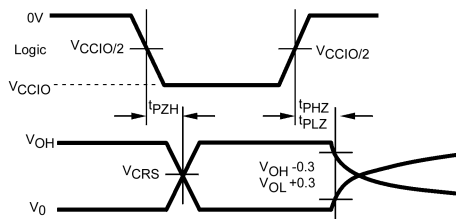
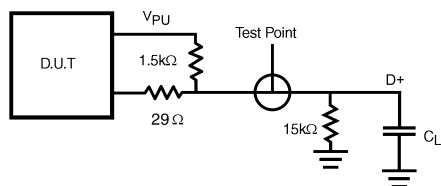


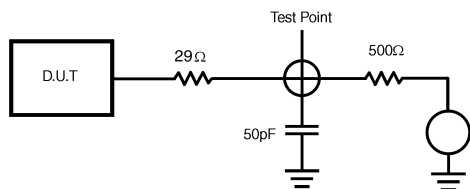
FIGURE 7.  $\overline{O_E}$  to D+/D-

Test Circuits and Waveforms



$C_L = 50$  pF Full Speed Propagation Delays  
 $C_L = -125$  pF Edge Rates only

FIGURE 8. Load for D+/D-



$V = 0$  for  $t_{PZH}$ ,  $t_{PHZ}$   
 $V = V_{REG}$  for  $t_{PZL}$

FIGURE 9. Load for Enable and Disable Times

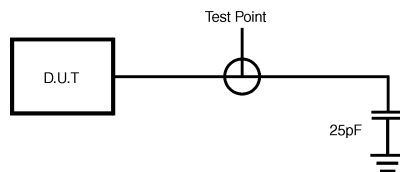


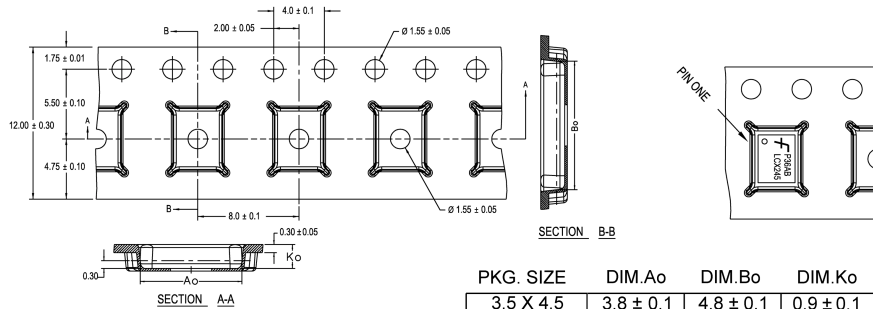
FIGURE 10. Load for  $V_m/V_{mo}$ ,  $V_p/V_{po}$  and  $R_{CV}$

## Tape and Reel Specification

### Tape Format for MLP

Package Designator	Tape Section	Number Cavities	Cavity Status	Cover Tape Status
MPX/MHX	Leader (Start End)	125 (typ)	Empty	Sealed
	Carrier	2500/3000	Filled	Sealed
	Trailer (Hub End)	75 (typ)	Empty	Sealed

### TAPE DIMENSIONS inches (millimeters)



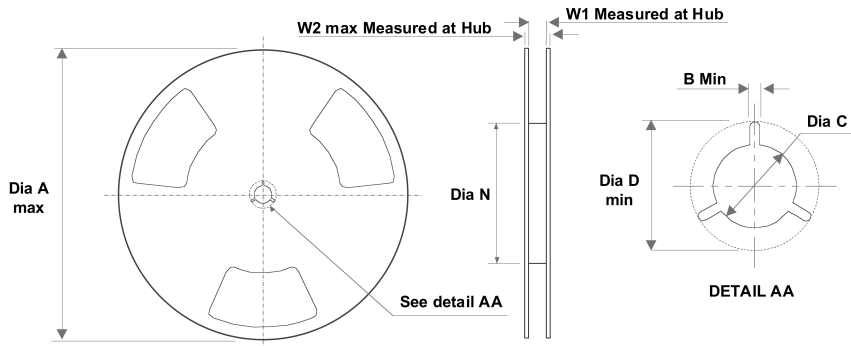
PKG. SIZE	DIM.Ao	DIM.Bo	DIM.Ko
3.5 X 4.5	3.8 ± 0.1	4.8 ± 0.1	0.9 ± 0.1
3.0 X 3.0	3.3 ± 0.1	3.3 ± 0.1	0.9 ± 0.1
2.5 X 4.5	2.8 ± 0.1	4.8 ± 0.1	0.9 ± 0.1
2.5 X 3.5	2.8 ± 0.1	3.8 ± 0.1	0.9 ± 0.1
2.5 X 3.0	2.8 ± 0.1	3.3 ± 0.1	0.9 ± 0.1
2.5 X 2.5	2.8 ± 0.1	2.8 ± 0.1	0.9 ± 0.1

DIMENSIONS ARE IN MILLIMETERS

NOTES: unless otherwise specified

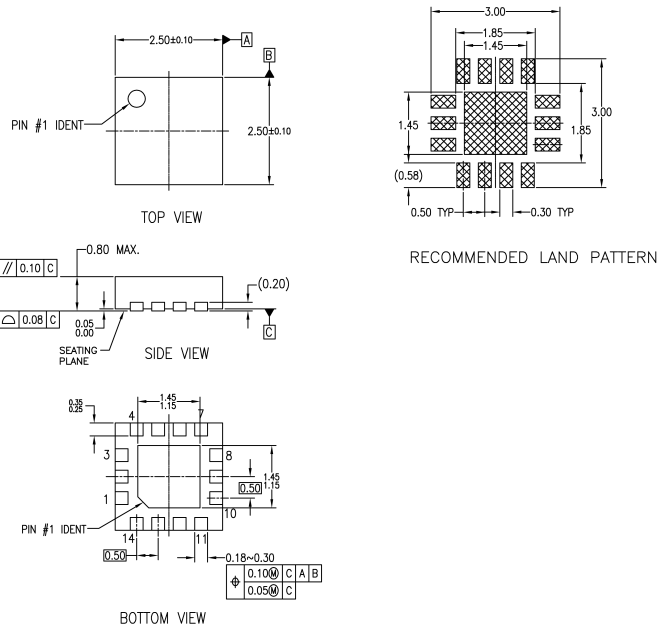
1. Cumulative pitch for feeding holes and cavities (chip pockets) not to exceed 0.008[0.20] over 10 pitch span.
2. Smallest allowable bending radius.
3. Thru hole inside cavity is centered within cavity.
4. Tolerance is ±0.002[0.05] for these dimensions on all 12mm tapes.
5. Ao and Bo measured on a plane 0.120[0.30] above the bottom of the pocket.
6. Ko measured from a plane on the inside bottom of the pocket to the top surface of the carrier.
7. Pocket position relative to sprocket hole measured as true position of pocket. Not pocket hole.
8. Controlling dimension is millimeter. Dimension in inches rounded.

### REEL DIMENSIONS inches (millimeters)



Tape Size	A	B	C	D	N	W1	W2
12 mm	13.0	0.059	0.512	0.795	7.008	0.488	0.724
	330	(1.50)	(13.00)	(20.20)	(178)	(12.4)	(18.4)

**Physical Dimensions** inches (millimeters) unless otherwise noted



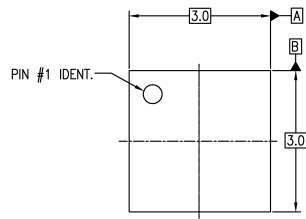
NOTES:

- A. NO JEDEC REGISTRATION
- B. DIMENSIONS ARE IN MILLIMETERS.
- C. DIMENSIONS AND TOLERANCES PER ASME Y14.5M, 1994

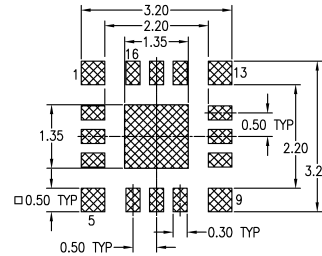
MLP14DrevA

**Pb-Free 14-Terminal Molded Leadless Package (MLP), 2.5mm Square  
MLP14D**

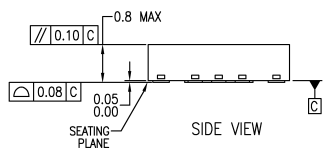
**Physical Dimensions** inches (millimeters) unless otherwise noted (Continued)



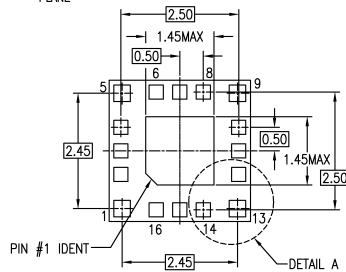
TOP VIEW



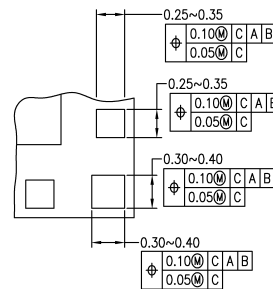
RECOMMENDED LAND PATTERN



SIDE VIEW



BOTTOM VIEW



DETAIL A

NOTES:

- A. SIMILAR TO JEDEC REGISTRATION MO-217, DATED 11/2001
- B. DIMENSIONS ARE IN MILLIMETERS.
- C. DIMENSIONS AND TOLERANCES PER ASME Y14.5M, 1994

MLP16HBrevA

**Pb-Free 16-Terminal Molded Leadless Package (MHBCC), JEDEC MO-217, 3mm Square Package Number MLP16HB**

Fairchild does not assume any responsibility for use of any circuitry described, no circuit patent licenses are implied and Fairchild reserves the right at any time without notice to change said circuitry and specifications.

**LIFE SUPPORT POLICY**

FAIRCHILD'S PRODUCTS ARE NOT AUTHORIZED FOR USE AS CRITICAL COMPONENTS IN LIFE SUPPORT DEVICES OR SYSTEMS WITHOUT THE EXPRESS WRITTEN APPROVAL OF THE PRESIDENT OF FAIRCHILD SEMICONDUCTOR CORPORATION. As used herein:

1. Life support devices or systems are devices or systems which, (a) are intended for surgical implant into the body, or (b) support or sustain life, and (c) whose failure to perform when properly used in accordance with instructions for use provided in the labeling, can be reasonably expected to result in a significant injury to the user.
2. A critical component in any component of a life support device or system whose failure to perform can be reasonably expected to cause the failure of the life support device or system, or to affect its safety or effectiveness.

[www.fairchildsemi.com](http://www.fairchildsemi.com)