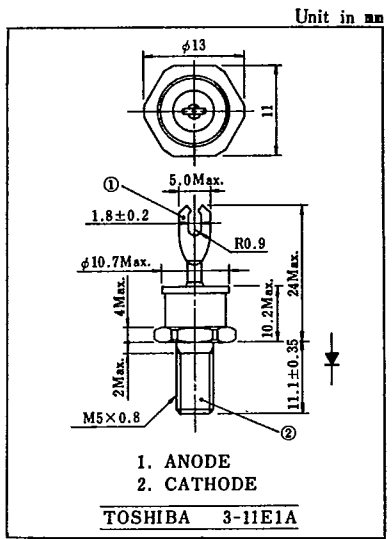


HIGH-EFFICIENCY DIODE

15DG15 200V 15A

MAXIMUM RATINGS

CHARACTERISTIC	SYMBOL	RATING	UNIT
Repetitive Peak Reverse Voltage	15BG15	100	V
	15CG15	150	
	15DG15	200	
Average Forward Current	$I_{F(AV)}$	15	A
Peak One Cycle Surge Forward Current (Non-Repetitive)	I_{FSM}	300	A
Junction Temperature	T_j	-40~150	°C
Storage Temperature Range	T_{stg}	-40~150	°C
Stud Torque		20	kgcm



AC23A is furnished as an accessory.

ELECTRICAL CHARACTERISTICS

CHARACTERISTIC	SYMBOL	CONDITION	MIN.	TYP.	MAX.	UNIT
Peak Forward Voltage	V_{FM}	$I_{FM}=15A, T_a=25^\circ C$	-	-	0.86	V
Repetitive Peak Reverse Current	I_{RRM}	$V_{RM}=\text{Rated}, T_j=150^\circ C$	-	-	20.0	mA
Reverse Recovery Time	$t_{rr}(1)$	$I_F=1.0A, V_R=30V, T_j=25^\circ C$	-	-	-	ns
	$t_{rr}(2)$	$I_F=30A, \frac{di}{dt}=25A/\mu s, T_a=25^\circ C$	-	-	60	ns
Reverse Recovery Current	$I_{rr}(1)$	$I_F=1.0A, V_R=30V, T_a=25^\circ C$	-	-	-	A
	$I_{rr}(2)$	$I_F=30A, \frac{di}{dt}=25A/\mu s, T_a=25^\circ C$	-	-	-	A
Forward Recovery Voltage	t_{fr}	$I_F=1.0A, T_a=25^\circ C$	-	-	100	ns

