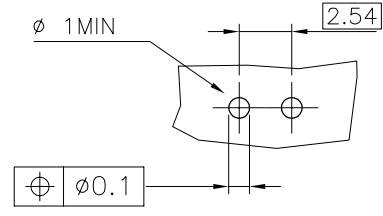
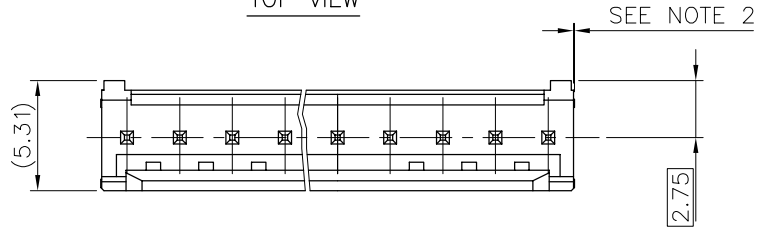
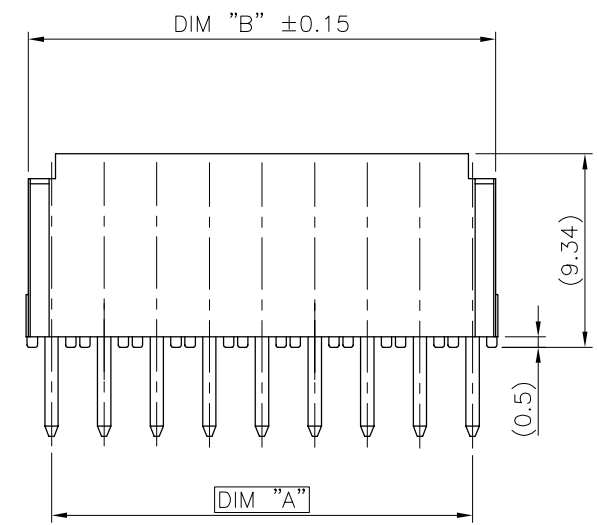
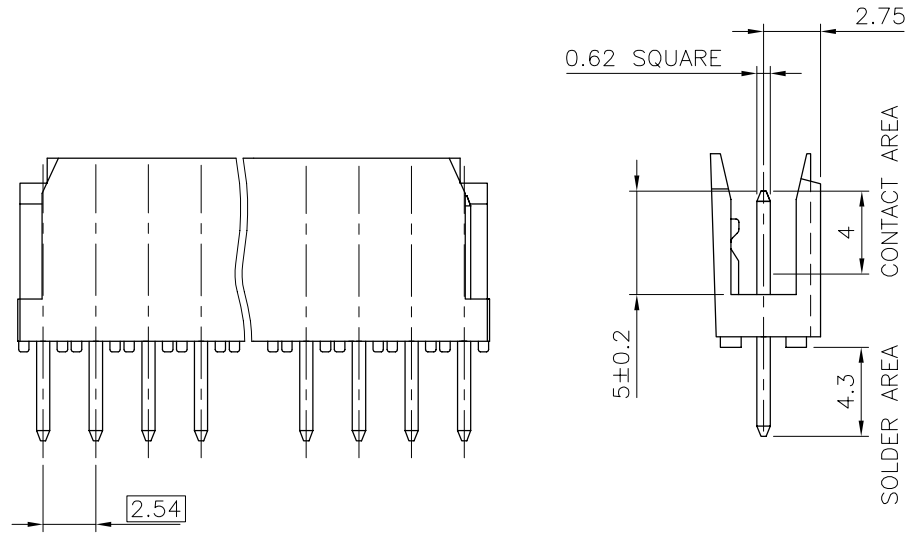


PRODUCT NUMBER  
95280-YXX

TOP VIEW



RECOMMENDED HOLE PATTERN



NOTES:

- 1 - BODY MATL: POLYESTER 30% GLASSFILLED COLOR BLUE, FLAME RETARDANT PER UL-94 VO.
- 2 - CONTACT MATL: COPPER ALLOY.
- 3 - MIN PUSH OUT FORCE CONTACT : 22N IN BOTH DIRECTIONS.

Tous droits réservés. Toute réimpression ou utilisation non autorisée sans la permission écrite du propriétaire. All rights reserved. Toute réimpression ou utilisation non autorisée sans la permission écrite du propriétaire.



All rights strictly reserved. Reproduction or use in third parties is any form without the written authority from the proprietor. All rights strictly reserved. Reproduction or use in third parties is any form without the written authority from the proprietor.

mat'l. code		SEE P/N		tolerances unless otherwise specified		CUSTOMER COPY		<b>ELECTRONICS</b> www.fciconnect.com	
ltr	ecn no	dr	date	linear	angles	projection		title	
A	F60592	PNZ	96.08.22					DUBOX,SR,STR SINGLE ROW 2.54mm.	
				dr	P.NIZZI	96.08.22	mm	product family	
				engr	JM PHAMVAN	96.08.22		DUBOX HDR	
				chr	F.NIZZI	96.08.22	scale	code	
				appd	JMP	96.08.22		213	
sheet		revision	A	A	size		4:1	sheet	
index		sheet	1	2	A3 95280			1 of 2	

Tous droits strictement réservés. Reproduction ou communication sans l'autorisation écrite de l'éditeur.  
 All rights strictly reserved. Reproduction or communication without the written authority of the publisher.  
 Copyright © FCI Electronics S.A.

All rights strictly reserved. Reproduction or communication without the written authority of the publisher.  
 Copyright © FCI Electronics S.A.



PRODUCT DEFINITION			
PRODUCT NUMBER	SIZE	DIM "A"	DIM "B"
95280-Y02	1x02	2.54	4.90
95280-Y03	1x03	5.08	7.44
95280-Y04	1x04	7.62	9.98
95280-Y05	1x05	10.16	12.52
95280-Y06	1x06	12.70	15.06
95280-Y07	1x07	15.24	17.6
95280-Y08	1x08	17.78	20.14
95280-Y09	1x09	20.32	22.68
95280-Y10	1x10	22.86	25.22
95280-Y11	1x11	25.4	27.76
95280-Y12	1x12	27.94	30.30
95280-Y13	1x13	30.48	32.84
95280-Y14	1x14	33.02	35.38
95280-Y15	1x15	35.56	37.92
95280-Y16	1x16	38.10	40.46
95280-Y17	1x17	40.64	43.00
95280-Y18	1x18	43.18	45.54

PRODUCT DEFINITION			
PRODUCT NUMBER	SIZE	DIM "A"	DIM "B"
95280-Y19	1x19	45.72	48.08
95280-Y20	1x20	48.26	50.62
95280-Y21	1x21	50.80	53.16
95280-Y22	1x22	53.34	55.70
95280-Y23	1x23	55.88	58.24
95280-Y24	1x24	58.42	60.78
95280-Y25	1x25	60.96	63.32
95280-Y26	1x26	63.50	65.86
95280-Y27	1x27	66.04	68.40
95280-Y28	1x28	68.58	70.94
95280-Y29	1x29	71.12	73.48
95280-Y30	1x30	73.66	76.02
95280-Y31	1x31	76.20	78.56
95280-Y32	1x32	78.74	81.10
95280-Y33	1x33	81.28	83.64
95280-Y34	1x34	83.32	86.18
95280-Y35	1x35	86.36	88.72
95280-Y36	1x36	88.90	91.26

95280-4XX	4μm SnPb	4μm SnPb
95280-3XX	0.76μm Au	4μm SnPb
PLATING CODE "Y"	CONTACT AREA	SOLDER AREA
	MIN PLATING THICKNESS OVER 1.27μm Ni MIN	

mat'l. code		tolerances unless otherwise specified		CUSTOMER COPY		<b>ELECTRONICS</b> <a href="http://www.fciconnect.com">www.fciconnect.com</a>		
ltr	ecn no	dr	date	linear	projection	title		
A	F60592	PNZ	96.08.22			DUBOX,SR,STR SINGLE ROW		
				angles	 mm	product family		
				dr		DUBOX HDR	code	
				engr	 scale	size		
				chr		A3	213	
				app			sheet	
						2 of 2		
sheet index	revision sheet							