

T-23-07

RECTIFIERS

Bridge Rectifiers

Operating/Storage Temperature Range -55°C to +150°C

Type	Maximum Peak Reverse Voltage	Maximum Average Rectified Current @ Half-Wave Resistive Load 60Hz	Maximum Forward Peak Surge Current @ 8.3ms Superimposed	Maximum Reverse Current @ PRV @ 25°C T _A	Maximum Forward Voltage @ 25°C T _A
	PRV	I _o @ T _A	I _{FM} (Surge)	I _R	V _{FM}
	V _{PK}	A _{AV} °C	A _{PK}	μA _{dc}	A _{PK} V _{PK}



15/25/35 Ampere/MB-35 (High Conductivity Metal Case)

MB1505	50	15	55	300	10	7.5	1.1
MB151	100	15	55	300	10	7.5	1.1
MB152	200	15	55	300	10	7.5	1.1
MB154	400	15	55	300	10	7.5	1.1
MB156	600	15	55	300	10	7.5	1.1
MB158	800	15	55	300	10	7.5	1.1
MB1510	1000	15	55	300	10	7.5	1.1
MB2505	50	25	55	300	10	12.5	1.1
MB251	100	25	55	300	10	12.5	1.1
MB252	200	25	55	300	10	12.5	1.1
MB254	400	25	55	300	10	12.5	1.1
MB256	600	25	55	300	10	12.5	1.1
MB258	800	25	55	300	10	12.5	1.1
MB2510	1000	25	55	300	10	12.5	1.1
MB3505	50	35	55	400	10	17.5	1.2
MB351	100	35	55	400	10	17.5	1.2
MB352	200	35	55	400	10	17.5	1.2
MB354	400	35	55	400	10	17.5	1.2
MB356	600	35	55	400	10	17.5	1.2
MB358	800	35	55	400	10	17.5	1.2
MB3510	1000	35	55	400	10	17.5	1.2

NOTE: 1. Suffix "W" Denotes Wire Leads.

2. Glass Passivated Version Available with Suffix "G". Metal Bottom Plastic Case version available with "MP" prefix.

High Voltage Rectifiers

Operating/Storage Temperature Range -65°C to +150°C

Type	Maximum Peak Reverse Voltage	Maximum Average Rectified Current @ Half-Wave Resistive Load 60Hz	Maximum Forward Peak Surge Current @ 8.3ms Superimposed	Maximum Reverse Current @ PRV @ 25°C T _A	Maximum Forward Voltage @ 25°C T _A	Maximum Reverse Recovery Time
	PRV	I _o @ T _A	I _{FM} (Surge)	I _R	V _{FM}	T _{rr}
	V _{PK}	A _{AV} °C	A _{PK}	μA _{dc}	A _{PK} V _{PK}	nS

High Voltage/D0-41/D0-15

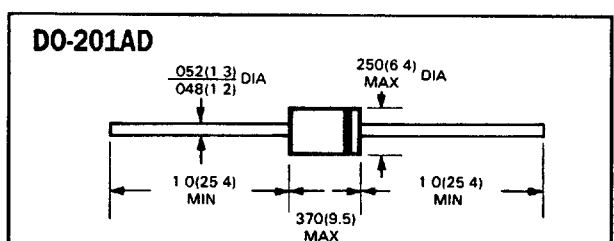
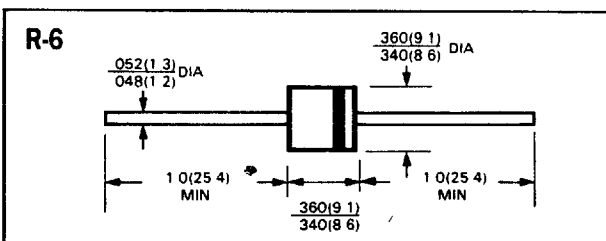
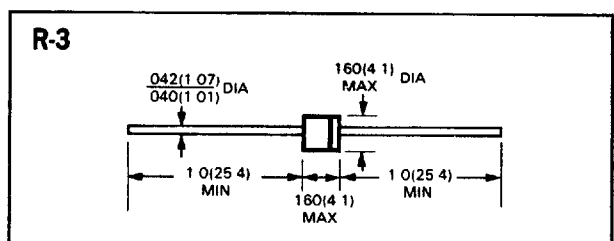
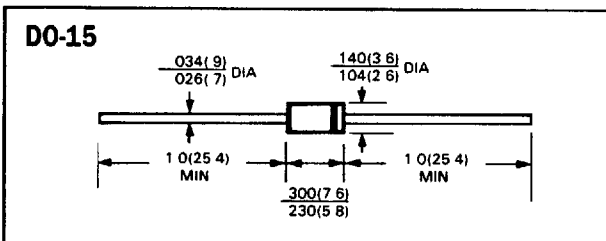
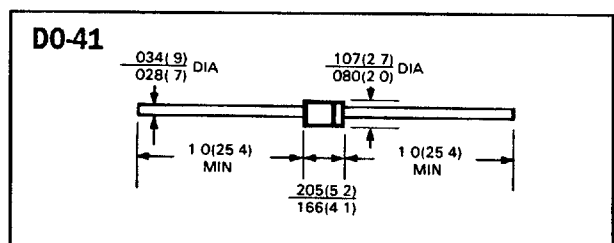
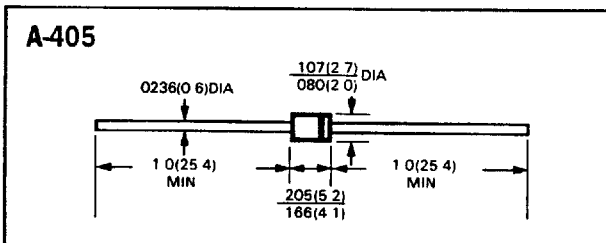
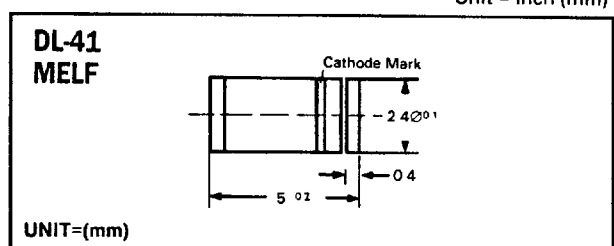
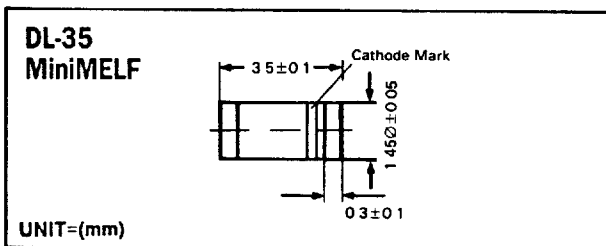
R1200	1200	500	50	30	5.0	0.5	1.6	-
R1500	1500	500	50	30	5.0	0.5	1.6	-
R1800	1800	500	50	30	5.0	0.5	1.6	-
R2000	2000	500	50	30	5.0	0.5	2.6	-
*R2500	2500	200	50	30	5.0	0.2	2.6	-
*R3000	3000	200	50	30	5.0	0.2	2.6	-

NOTE: 1. *D0-15 Package Only.

2. PRV > 3000V is Available on Special Order.

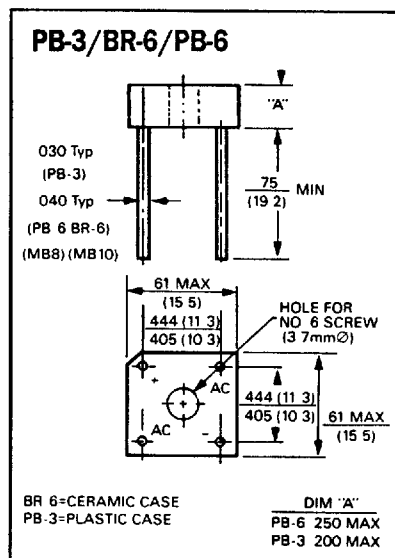
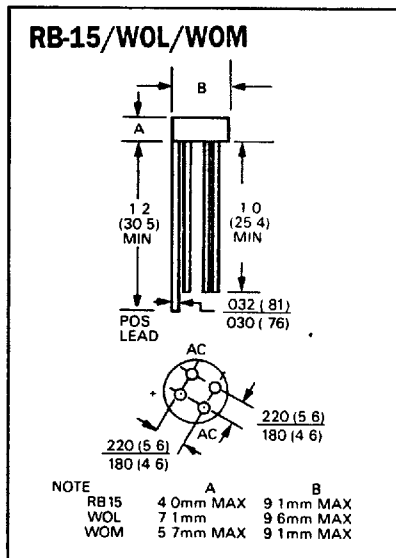
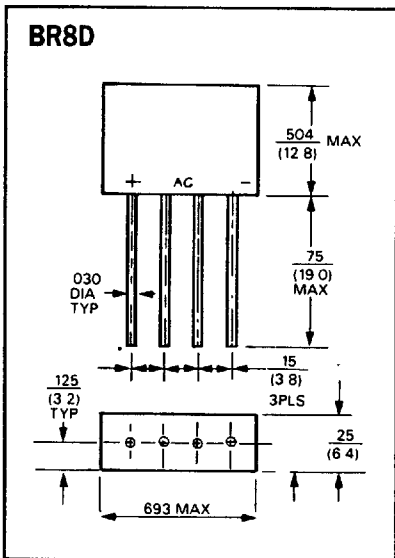
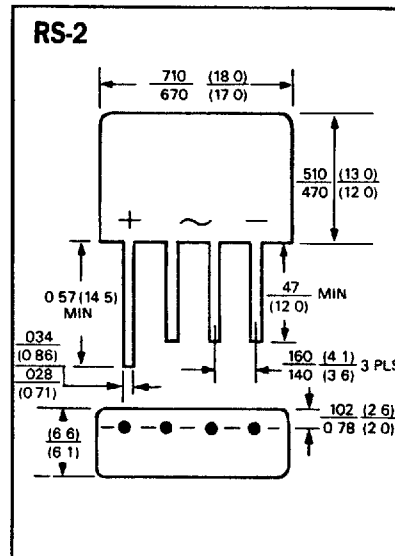
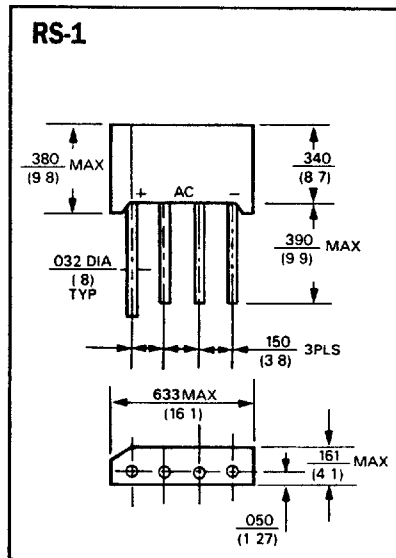
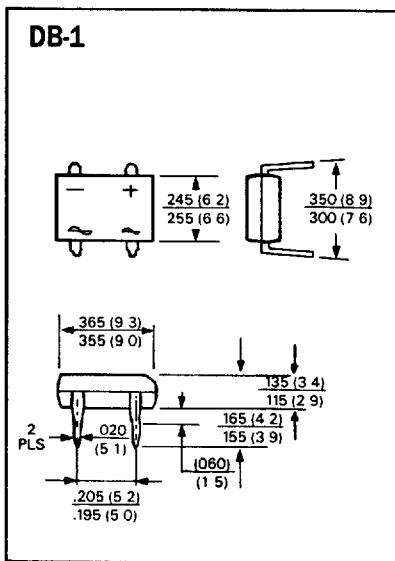
OUTLINE DRAWINGS

Unit = inch (mm)





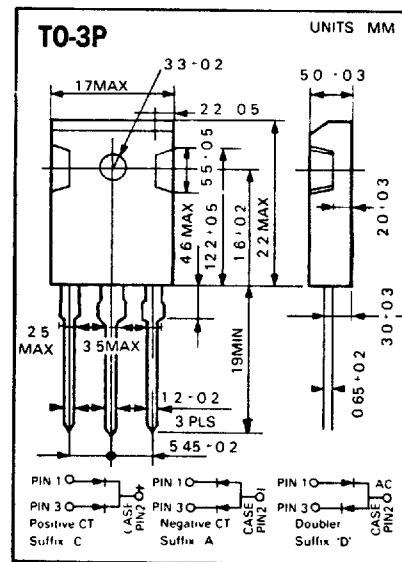
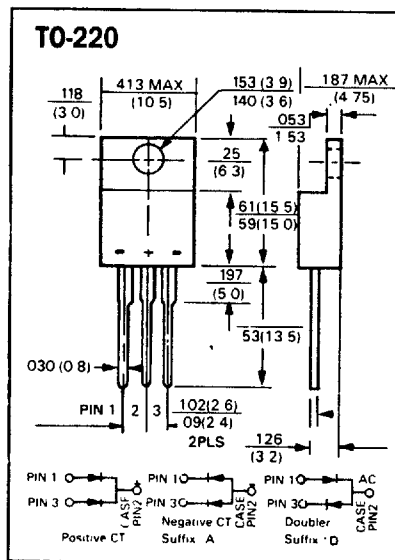
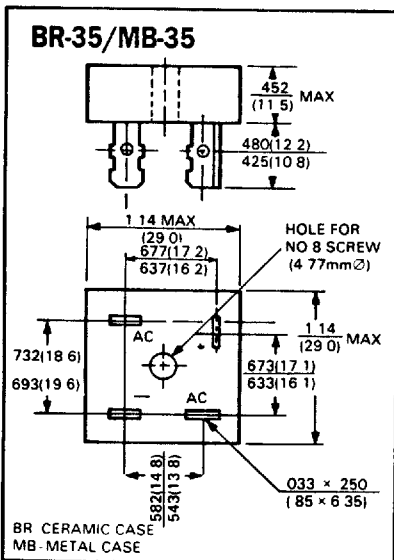
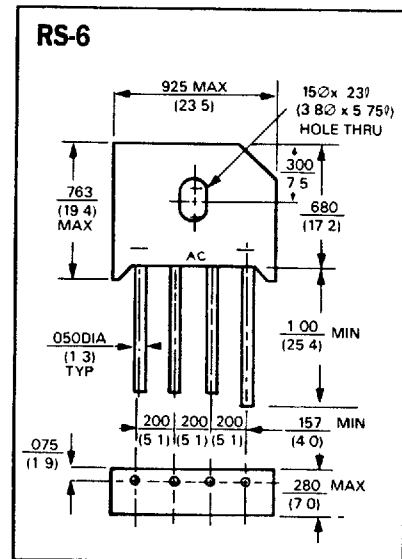
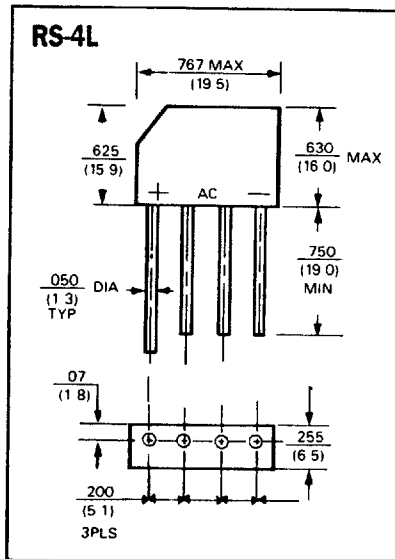
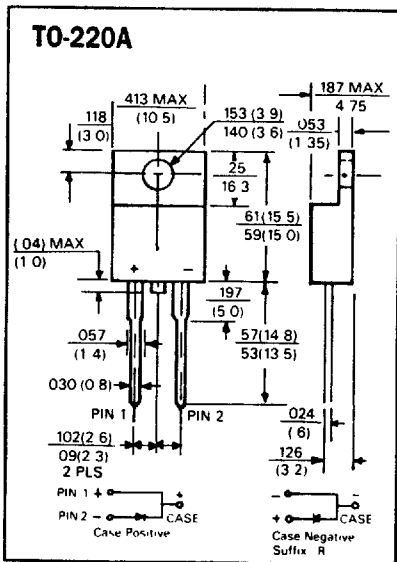
OUTLINE DRAWINGS



RECTIFIER DIODES AND BRIDGE RECTIFIERS

4

OUTLINE DRAWINGS



RECTIFIERS

SEMITRON INDUSTRIES LTD

Product Packaging Specifications

PACKAGING OF AXIAL LEAD DIODES, MELF AND MINI-MELF SURFACE MOUNT DEVICES AND TRANSISTORS

REEL PACK

OUTLINE	COMPONENT SPACE (mm)	TAPE SPACE (mm)	REEL DIA. (m/m)	QTY./REEL (each)
DO-7	5.0	52.4	330	10,000
DO-35	5.0	53	355	10,000
DO-35 (ZENER)	[RADIAL TAPING SEE FIG. 1, 2 & 3]		355	5,000
DL-35 (MINI MELF)	See Pg. 37		250/330	5,000/10,000
DL-41 (MELF)	See Pg. 37		330	5,000
A-405	5.0	52.4	330	5,000
A-500	5.0	52.4	203/254/304	1,000/2,000/3,000
DO-41	5.0	52.4	330	5,000
DO-41 (ZENER)	5.0	53	355	5,000
DO-15	5.0	52.4	330	4,000
R-3	5.0	52.4	330	3,000
DO-201AD	10.0	52.4	330	1,200
R-6	10.0	52.4	330	500
TO-92	[RADIAL TAPING SEE FIG. 4, 5 & 6]		355	2,000
TO-236/SOT-23	[SEE SPECIFICATIONS ON PG.38]		178	3,000

PACKAGING OF AXIAL LEAD DIODES AND LEADED TRANSISTORS

AMMO PACK

OUTLINE	COMPONENT SPACE (mm)	TAPE SPACE (mm)	BOX SIZE (m/m)	QTY./BOX (each)
DO-35 (SW. DIODES)	5.0	53	338/147/77	15,000
DO-35	5.0	53	255/95/85	6,000
DO-35	5.0	26	255/95/51	6,000
A-405	5.0	52.4	255/95/78	3,000
DO-41	5.0	52.4	255/95/78	3,000
DO-41	5.0	26	255/51/95	3,000
DO-41 (ZENER)	5.0	53	255/95/85	3,000
DO-41 (ZENER)	5.0	26	255/95/51	3,000
DO-15	5.0	52.4	255/95/78	2,200
R-3	5.0	52.4	255/95/78	2,000
DO-201AD	10.0	52.4	255/95/78	800
R-6	10.0	52.4	255/95/78	300
TO-92	[RADIAL TAPING, SEE FIG. 4]		340/340/45	4,000

RECTIFIER DIODES AND
BRIDGE RECTIFIERS

4

