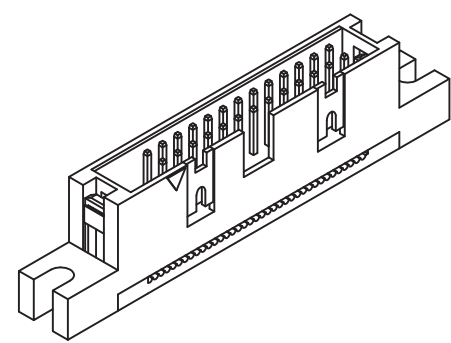
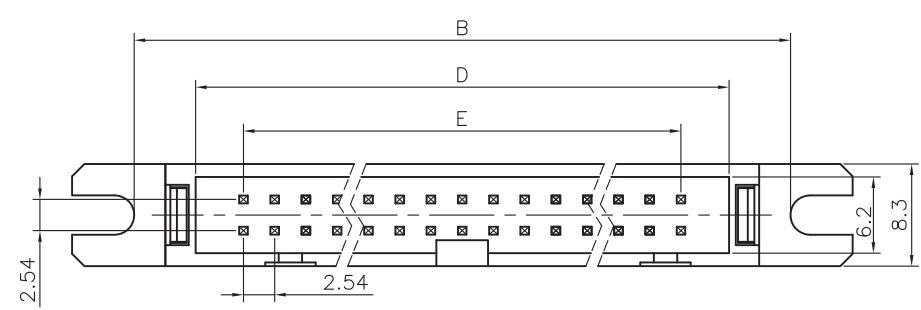
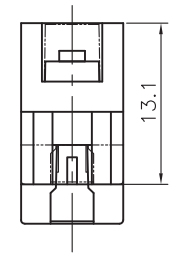
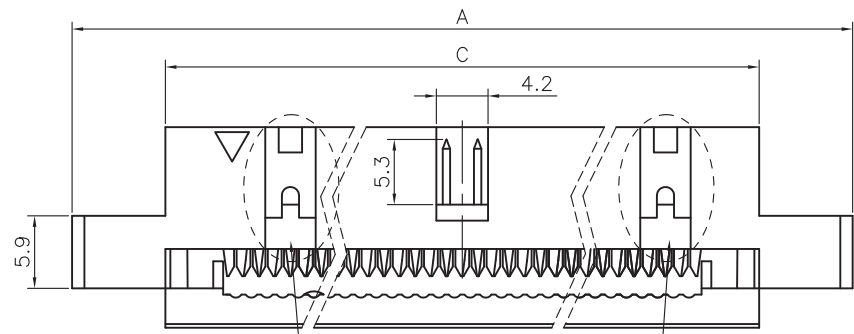


REV.	SPECIFICATION	ECN NO.	APPD.
A5		1/27'07	



(A5)

Material:
 Housing: 30% Glass filled PBT UL94V-0.
 Contacts: Brass.
 Strain Relief: 30% Glass filled PBT UL94V-0.
Electrical Characteristics:
 Current Rating: 1AMP.
 Insulator Resistance: 5000MΩ min. at DC 500V.
 Contact Resistance: 20mΩ max. at DC 100mA.
 Operating Temperature: -55°C ~ +105°C .
***RoHS Compliant**



10,14,16P Without this organization



Strain Relief

3016- 64 C 00 Y 1 1 A
 Series
 No. of Pin Count
 C: Selective
 G: Gold Plated
 00: G/F
 10: 10μ"
 15: 15μ"
 30: 30μ"
 A: Tray Package
 1: With Strain Relief
 2: Without Strain Relief
 1: With Mounting Ears
 Y: Grey
 B: Black

Position	Dimension				
	A	B	C	D	E
10	38.00	27.94	22.98	17.93	10.16
14	43.08	33.02	28.10	22.93	15.24
16	45.70	35.56	30.64	25.55	17.76
20	50.70	40.64	35.70	30.56	22.86
26	58.26	48.26	43.26	38.20	30.48
30	63.34	53.34	48.44	43.40	35.56
34	68.40	58.42	53.28	48.30	40.64
40	76.14	66.04	60.96	56.06	48.26
50	88.82	78.74	73.72	68.70	60.96
60	101.38	91.44	86.44	81.34	73.66
64	106.80	96.52	91.46	86.43	78.74

Tolerances	Drawn No.	3016D01001		Title:	
x = ±0.5	Projection			3016 Series I.D.C.PLUG 2.54mm	
.x = ±0.25	Unit	mm	Scale		1:1
.xx = ±0.15	Drawn By	Michael			

GTK UK LTD.			
P/N: 3016-xxCxx1xA			
SHEET	1/1	Ver.No.	A5