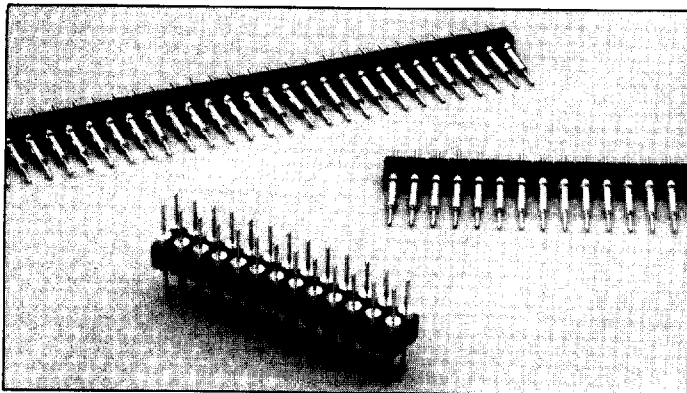


TERMINAL STRIPS



Screw Machine

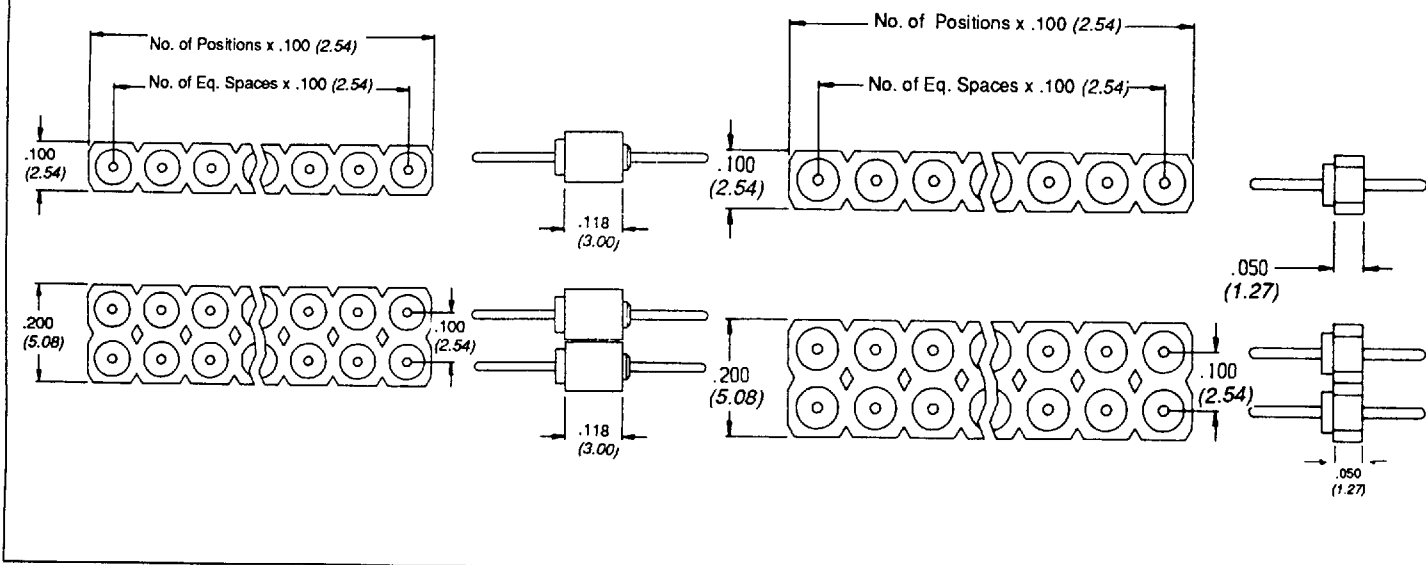
CPP/CPL Series



- Notched body snaps to custom sizes of 1 to 64 pins
- Mates with the SBE/SBL Series
- Variety of pin lengths to accommodate different board spacing requirements
- High temp IR compatible (CPP only)

CPP

CPL



Materials:

Body: Black polyester, glass-filled
Terminals: Brass

Mounting Information:

.018" Dia. Pin = .030" ± .002" PCB Hole
 (.76 ± .05)

Performance Characteristics:

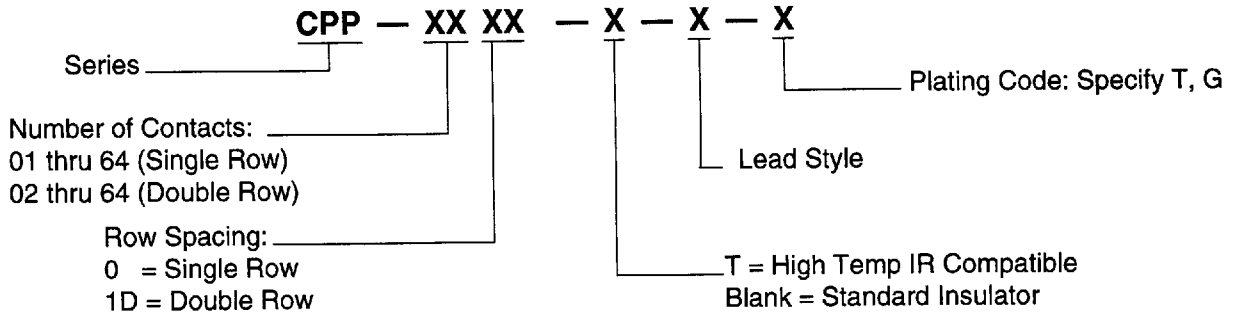
Insulation Resistance: 5000 megohms minimum
Dielectric Withstanding Voltage: 500 volts AC
Current Rating: 1 Ampere
Flammability: UL 94V-0
Temperature Range: -65°C to + 125°C

Plating Description:

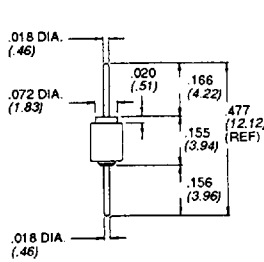
Suffix: **T** = 200 μinch (5.08 μm) minimum Tin/Lead.
G = 20 μinch (.508 μm) minimum Gold.

All options include an underplate of 50 μinch (1.27 μm) minimum Nickel.

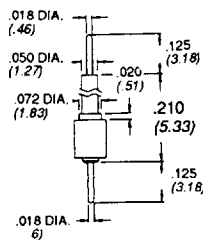
How to Order CPP Series



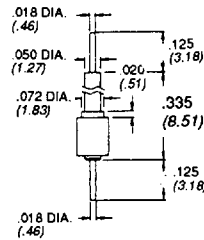
CPP Lead Styles



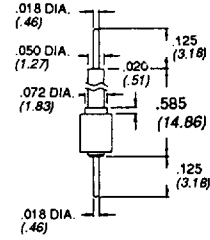
S2



SE1

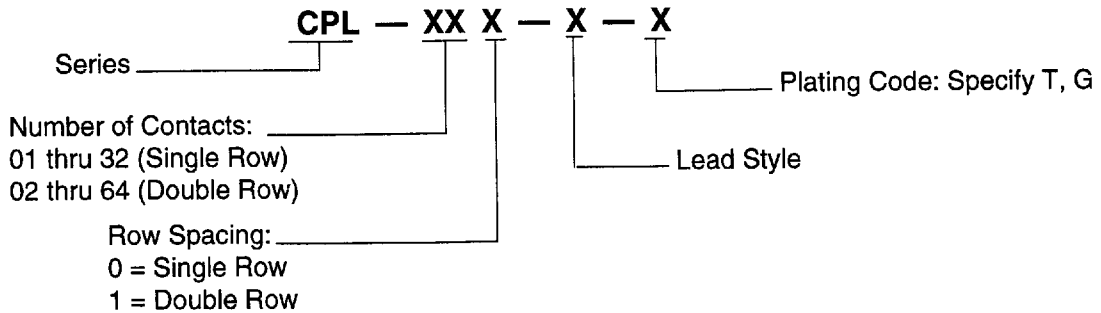


SE2

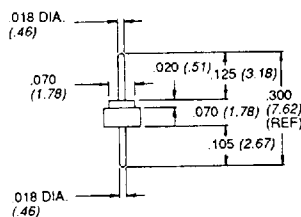


SE3

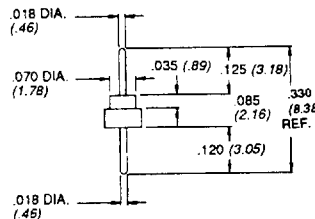
How to Order CPL Series



CPL Lead Styles



T1



T2