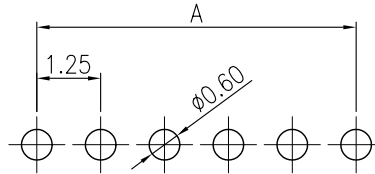
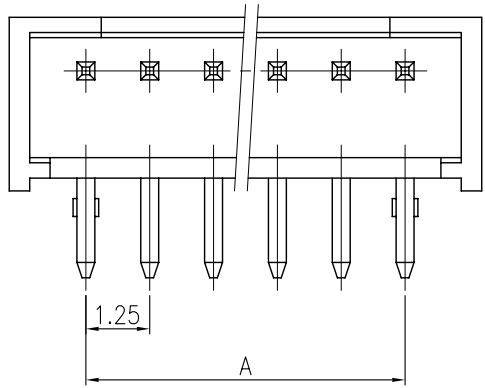


V1.1

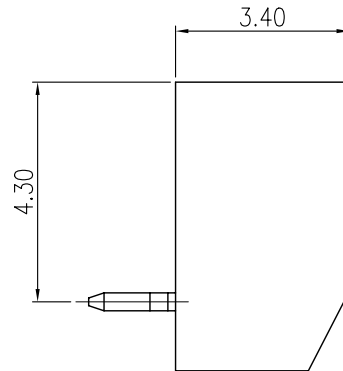
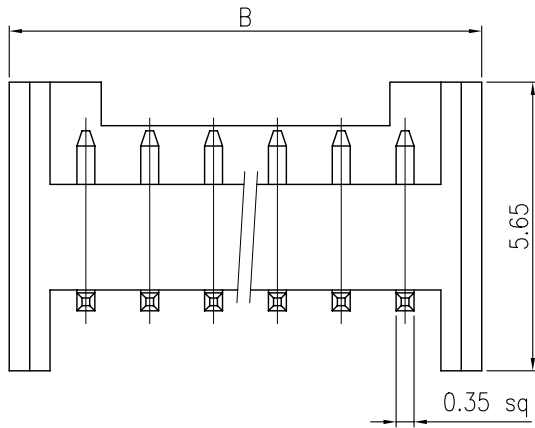
REVISIONS							
SYM	DISCRIPTION	DATE	APPROVED	SYM	DISCRIPTION	DATE	APPROVED
△				△			
△				△			

****CUSTOMER DRAWING FOR REFERENCE ONLY, SAMPLES APPROVAL ARE REQUIRED!!**



P.C.B. LAYOUT

PART NO.	CONTACTS	DIMENSIONS		PCS/BOX
		A	B	
MCu005-Pa02T	1X2	1.25	4.25	1,000
MCu005-Pa03T	1X3	2.50	5.50	1,000
MCu005-Pa04T	1X4	3.75	6.75	1,000
MCu005-Pa05T	1X5	5.00	8.00	1,000
MCu005-Pa06T	1X6	6.25	9.25	1,000
MCu005-Pa07T	1X7	7.50	10.50	1,000
MCu005-Pa08T	1X8	8.75	11.75	1,000
MCu005-Pa09T	1X9	10.00	13.00	1,000
MCu005-Pa10T	1X10	11.25	14.25	1,000
MCu005-Pa11T	1X11	12.50	15.50	1,000
MCu005-Pa12T	1X12	13.75	16.75	1,000
MCu005-Pa13T	1X13	15.00	18.00	1,000
MCu005-Pa14T	1X14	16.25	19.25	1,000
MCu005-Pa15T	1X15	17.50	20.50	1,000



SPECIFICATIONS

CURRENT RATING: 1A AC,DC
 VOLTAGE RATING: 100V AC,DC
 TEMPERATURE RANGE: -25°C ~ +85°C
 CONTACT RESISTANCE: 20MΩ MAX.
 INSULATION RESISTANCE: 500MΩ MIN.
 WITHSTAND VOLTAGE : 500V AC/MINUTE
 PIN MATERIAL: BRASS/TIN-PLATED
 WAFER: NYLON 66, UL94V-0

ORDER INFORMATION:

MC005-PaXXT
 MC: WAFER SERIES, WAFER
 u: PITCH: 1.25 mm
 005: SERIES NO.
 Pa: PCB TYPE, RIGHT ANGLE TYPE
 XX: NO. OF CONTACTS
 T: PLATING, TIN PLATING

MATING			HOUSING	MCu005-XX-H	TERMINAL	MCu005-T
TOLERANCES UNLESS OTHERWISE SPECIFIED ±0.30			SIGNATURES		DATE	MODEL
			DRAWN	KENNY	22/AUG/03'	TITLE
SYMBOL △			UNIT		SCALE	NO. MCu005-Pa__T
			mm		10/1	
APPROVALS			APPROVALS		APPROVALS	
MMT CORPORATION						