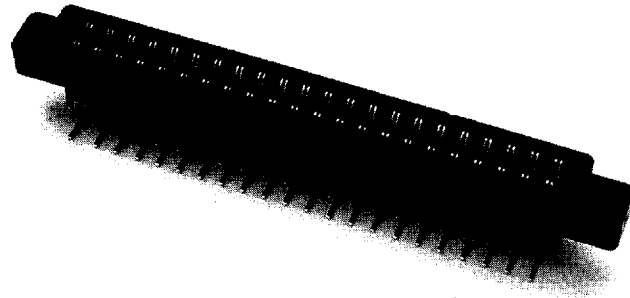


**.156" CENTERLINE  
RIGHT ANGLE  
DIP SOLDER TAILS  
.200" ROW-TO-ROW  
.150" ROW-TO-ROW**



**PHYSICAL PROPERTIES**

**INSULATION RESISTANCE:** 5000 megohms minimum.  
**INSERTION/WITHDRAWAL FORCE (DAUGHTER CARD):**  
 8 oz./2oz. average contact pair using .0620 steel test blade.  
**INSULATOR BODY:** Glass filled thermoplastic, UL rating 94V-O. High temp. plastic option is available; add suffix M399 to catalog number.  
**COLOR:** Black  
**CONTACTS:** High strength copper alloy.  
**CONTACT PLATING:** 50 microinches nickel underplate with 30 microinches gold in the mating area, tin/lead on tails, 100 microinches minimum

**ELECTRICAL PROPERTIES**

**OPERATION VOLTAGE:** 1500 VDC (sea level)  
**CURRENT RATING:** 3 Amperes  
**INITIAL CONTACT RESISTANCE:** 10 milliohms

**ENVIRONMENTAL PROPERTIES**

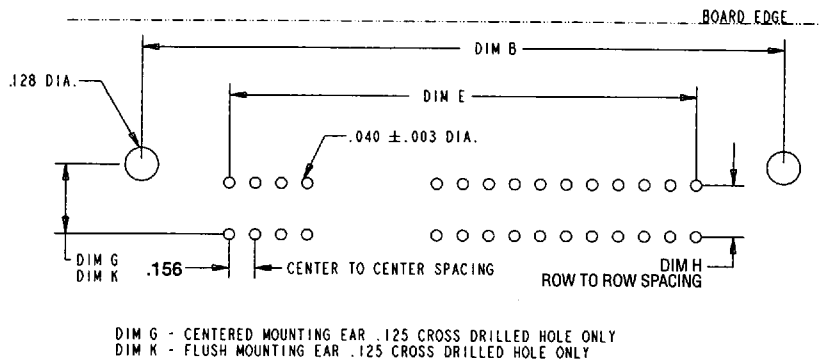
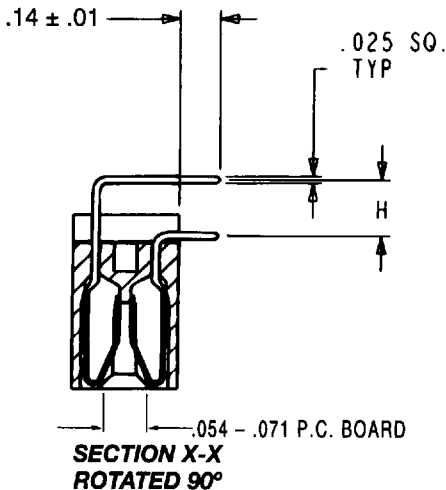
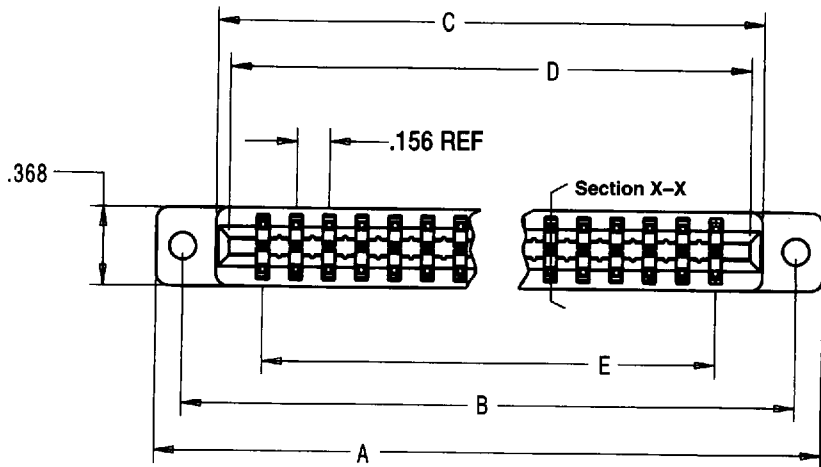
**OPERATING TEMPERATURE:** -55°C to +125°C  
**TEMPERATURE CYCLING:** MIL-STD-202 method 107  
**VIBRATION:** MIL-STD-202 method 204

**ACCESSORIES**

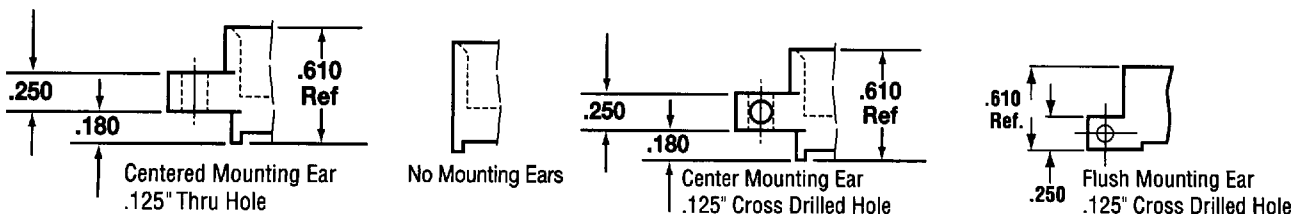
**POLARIZATION KEY:** Cat. # 98014-01, see page 372

**DAUGHTER CARD**

See page 373 for layout



**Mounting Styles**



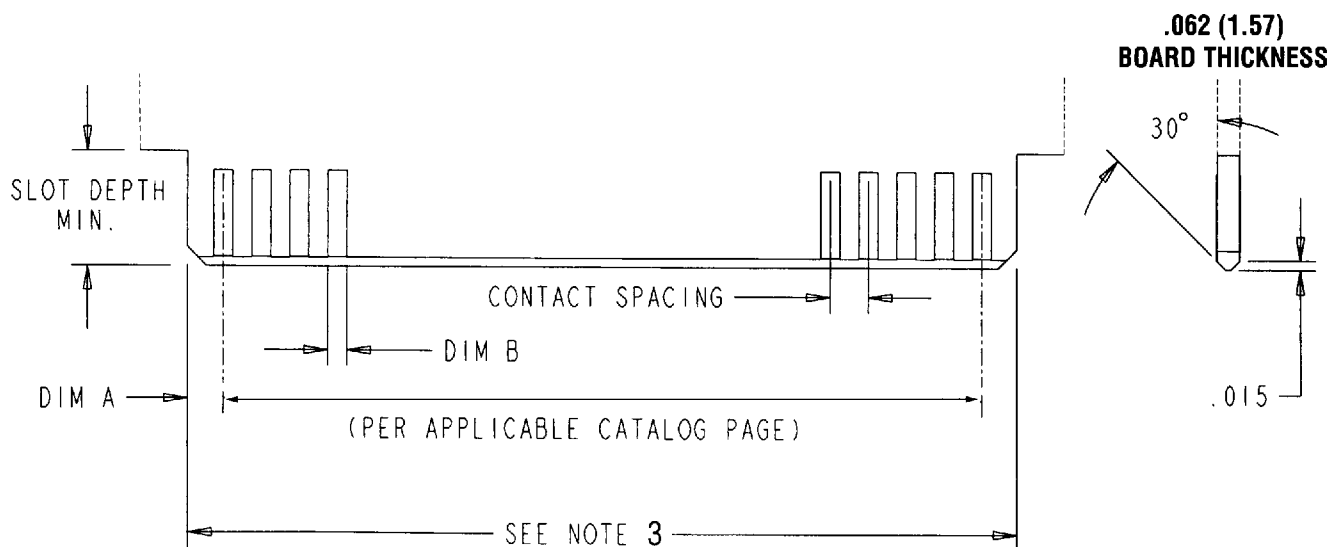
## ORDERING INFORMATION -

### .156 CENTERLINE

NO. OF DUAL READOUT POSITIONS	MOUNTING EAR OPTIONS				A	B	C	D	E	CENTERED MOUNTING EAR ONLY G	FLUSH MOUNTING EAR ONLY K
	CENTERED MOUNTING EAR .125" THRU HOLE	NO MOUNTING EARS	CENTERED MOUNTING EAR .125" CROSS-DRILLED HOLE	FLUSH MOUNTING EAR .125" CROSS-DRILLED HOLE							
<b>.200 ROW-TO-ROW (DIM. "H") SPACING</b>											
06	A6D06RA29A	A6D06RA29C	A6D06RA29E	A6D06RA29F	1.784	1.534	1.221	1.100	0.780	0.470	0.290
10	A6D10RA29A	A6D10RA29C	A6D10RA29E	A6D10RA29F	2.408	2.158	1.845	1.724	1.404	0.470	0.290
12	A6D12RA29A	A6D12RA29C	A6D12RA29E	A6D12RA29F	2.720	2.470	2.157	2.036	1.716	0.470	0.290
15	A6D15RA29A	A6D15RA29C	A6D15RA29E	A6D15RA29F	3.188	2.938	2.625	2.504	2.184	0.470	0.290
18	A6D18RA29A	A6D18RA29C	A6D18RA29E	A6D18RA29F	3.656	3.406	3.093	2.972	2.652	0.470	0.290
22	A6D22RA29A	A6D22RA29C	A6D22RA29E	A6D22RA29F	4.280	4.030	3.717	3.596	3.276	0.470	0.290
25	A6D25RA29A	A6D25RA29C	A6D25RA29E	A6D25RA29F	4.748	4.498	4.185	4.064	3.744	0.470	0.290
28	A6D28RA29A	A6D28RA29C	A6D28RA29E	A6D28RA29F	5.216	4.966	4.653	4.532	4.212	0.470	0.290
36	A6D36RA29A	A6D36RA29C	A6D36RA29E	A6D36RA29F	6.464	6.214	5.901	5.780	5.460	0.470	0.290
40	A6D40RA29A	A6D40RA29C	A6D40RA29E	A6D40RA29F	7.088	6.838	6.525	6.404	6.084	0.470	0.290
43	A6D43RA29A	A6D43RA29C	A6D43RA29E	A6D43RA29F	7.556	7.306	6.993	6.872	6.552	0.470	0.290
<b>.150 ROW-TO-ROW (DIM. "H") SPACING</b>											
06	A6D06RA29AM233	A6D06RA29CM233	A6D06RA29EM233	A6D06RA29FM233	1.784	1.534	1.221	1.100	0.780	0.420	0.240
10	A6D10RA29AM233	A6D10RA29CM233	A6D10RA29EM233	A6D10RA29FM233	2.408	2.158	1.845	1.724	1.404	0.420	0.240
12	A6D12RA29AM233	A6D12RA29CM233	A6D12RA29EM233	A6D12RA29FM233	2.720	2.470	2.157	2.036	1.716	0.420	0.240
15	A6D15RA29AM233	A6D15RA29CM233	A6D15RA29EM233	A6D15RA29FM233	3.188	2.938	2.625	2.504	2.184	0.420	0.240
18	A6D18RA29AM233	A6D18RA29CM233	A6D18RA29EM233	A6D18RA29FM233	3.656	3.406	3.093	2.972	2.652	0.420	0.240
22	A6D22RA29AM233	A6D22RA29CM233	A6D22RA29EM233	A6D22RA29FM233	4.280	4.030	3.717	3.596	3.276	0.420	0.240
25	A6D25RA29AM233	A6D25RA29CM233	A6D25RA29EM233	A6D25RA29FM233	4.748	4.498	4.185	4.064	3.744	0.420	0.240
28	A6D28RA29AM233	A6D28RA29CM233	A6D28RA29EM233	A6D28RA29FM233	5.216	4.966	4.653	4.532	4.212	0.420	0.240
36	A6D36RA29AM233	A6D36RA29CM233	A6D36RA29EM233	A6D36RA29FM233	6.464	6.214	5.901	5.780	5.460	0.420	0.240
40	A6D40RA29AM233	A6D40RA29CM233	A6D40RA29EM233	A6D40RA29FM233	7.088	6.838	6.525	6.404	6.084	0.420	0.240
43	A6D43RA29AM233	A6D43RA29CM233	A6D43RA29EM233	A6D43RA29FM233	7.556	7.306	6.993	6.872	6.552	0.420	0.240

# CARDEDGE CONNECTORS RECOMMENDED DAUGHTER CARD LAYOUT

PER MIL-C-21097E



**Daughter Card**

CONTACT SPACING NON-ACCUM.	DIM A ±.005 (.13)	DIM B
.100 (2.54)	.093 (2.36)	.052 (1.32)
.125 (3.18)	.093 (2.36)	.052 (1.32)
.156 (3.96)	.105* (2.67)	.094 (2.39)

\* Except MIL-C-21097E 8-4 which is .070 (1.78)

**NOTES:**

1. Dimensions are in inches
2. Unless otherwise specified, tolerance is ±.005 (0.13 mm) for three place decimals.
3. Number of contact fingers shall be the same as the corresponding printed wiring connector.