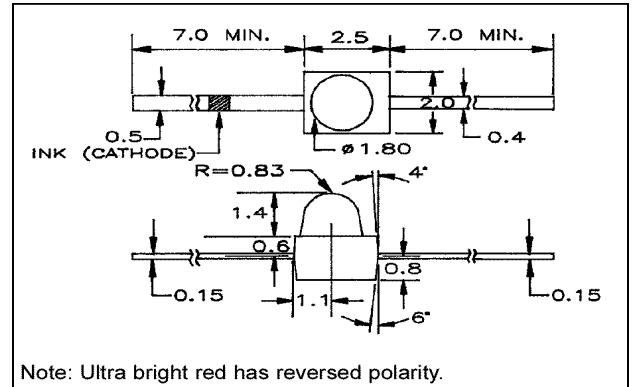


## Features

All plastic mold type  
Will fit in small space  
Low current operation



## Series Line-Up

Part Number	Color	Material
MT1302A-RG	Red	GaP
MT1402A-RG	Red	GaP
MT2302A-G	Yellow Green	GaP
MT2402A-G	Yellow Green	GaP
MT3302A-Y	Pure Yellow	GaAsP
MT3402A-Y	Pure Yellow	GaAsP
MT4302A-HR	High Efficiency Red	GaAsP
MT4402A-HR	High Efficiency Red	GaAsP
MT4402A-O	High Efficiency Red	GaAsP
MT7302A-UR	Super Ultra Bright Red	GaAlAs
MT7402A-UR	Ultra Bright Red	GaAlAs

## Maximum Ratings (Ta=25°C)

Part Number	Forward Current I <sub>F</sub>	Reverse Voltage V <sub>R</sub>	Power Dissipation P <sub>D</sub>	Operating Temperature T <sub>opr</sub>	Storage Temperature T <sub>stg</sub>
MT1302A-RG	30	5	85.00	-25 ~ +85	-25 ~ +100
MT1402A-RG	30	5	85.00	-25 ~ +85	-25 ~ +100
MT2302A-G	30	5	85.00	-25 ~ +85	-25 ~ +100
MT2402A-G	30	5	85.00	-25 ~ +85	-25 ~ +100
MT3302A-Y	30	5	85.00	-25 ~ +85	-25 ~ +100
MT3402A-Y	30	5	85.00	-25 ~ +85	-25 ~ +100
MT4302A-HR	30	5	85.00	-25 ~ +85	-25 ~ +100
MT4402A-HR	30	5	85.00	-25 ~ +85	-25 ~ +100
MT4402A-O	30	5	85.00	-25 ~ +85	-25 ~ +85
MT7302A-UR	30	4	70.00	-25 ~ +85	-25 ~ +100
MT7402A-UR	30	4	85.00	-25 ~ +85	-25 ~ +100
Unit	mA	V	mW	°C	°C

## Electrical and Optical Characteristics (Ta=25°C)

Part Number	PWL nm $\lambda_P$	Material	View Angle $2\theta_{1/2}$	Luminous Intensity $I_v$				Forward Voltage $V_F$				Rev Current $I_R$	
				min.	typ.	max.	IF@	min.	typ.	max.	IF@	max.	VR@
MT1302A-RG	700	GaP	36°	2.00	3.40	-	20mA	-	2.10	3.00	20mA	100	5V
MT1402A-RG	700	GaP	36°	3.00	3.40	-	20mA	-	2.10	3.00	20mA	100	5V
MT2302A-G	567	GaP	36°	10.00	16.70	-	20mA	-	2.10	3.00	20mA	100	5V
MT2402A-G	567	GaP	36°	10.00	16.70	-	20mA	-	2.10	3.00	20mA	100	5V
MT3302A-Y	585	GaAsP	36°	8.20	13.70	-	20mA	-	2.10	3.00	20mA	100	5V
MT3402A-Y	585	GaAsP	36°	8.20	13.70	-	20mA	-	2.10	3.00	20mA	100	5V
MT4302A-HR	635	GaAsP	36°	11.60	1934.00	-	20mA	-	2.10	3.00	20mA	100	5V
MT4402A-HR	635	GaAsP	36°	11.60	18.40	-	20mA	-	2.10	3.00	20mA	100	5V
MT4402A-O	635	GaAsP	36°	11.60	18.40	-	20mA	-	2.10	3.00	20mA	100	5V
MT7302A-UR	660	GaAlAs	36°	48.00	80.00	-	20mA	-	1.90	2.50	20mA	100	4V
MT7402A-UR	660	GaAlAs	36°	48.00	80.00	-	20mA	-	1.90	2.50	20mA	100	4V
-	nm	-	deg	mcd				-	V		-	$\mu A$	-

### NOTES:

- All Dimensions are in millimeters.
- Tolerance is  $\pm 0.25$ mm unless otherwise stated.
- An Epoxy Meniscus may extend about 1mm down the leads.
- Burr around bottom of epoxy may be around 0.5mm MAX.
- Specifications are subject to change without notice.