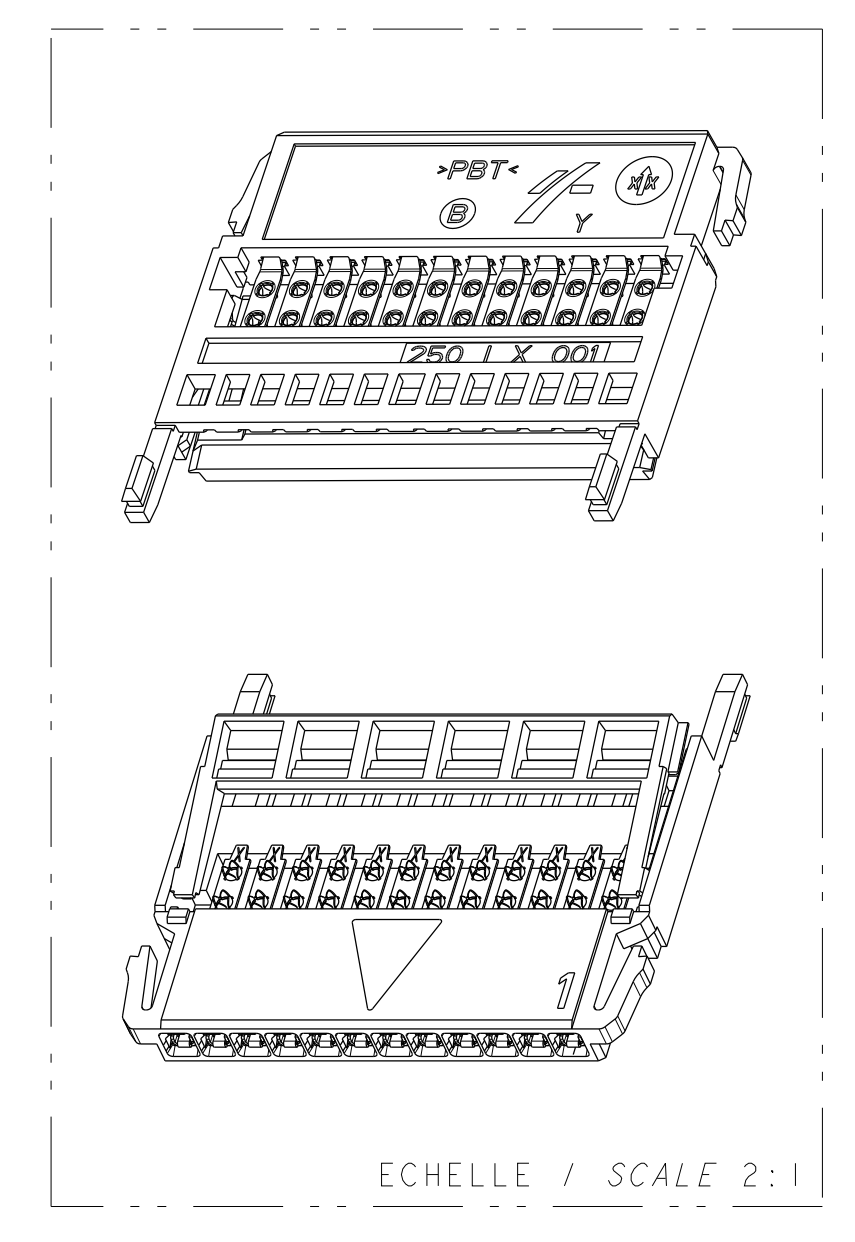


REF. MVL / MVL P/N	250 MC 12 1 F X 001												250 MC 12 1 F X 002												250 MC 12 1 F X 003												250 MC 12 1 F X 004																	
NOM / NAME	MODULE-CLIPS 12 VOIES PRECHARGEES (12 VOIES ETAMEES) 12-WAY PRELOADED FEMALE MODULE (12 TINED WAYS)												MODULE-CLIPS 12 VOIES PRECHARGEES (6 VOIES ETAMEES + 6 VOIES DOREES) 12-WAY PRELOADED FEMALE MODULE (6 TINED WAYS + 6 GOLDED WAYS)												MODULE-CLIPS 12 VOIES PRECHARGEES (6 VOIES ETAMEES (ALVEOLES 1 A 6)) 12-WAY PRELOADED FEMALE MODULE (6 TINED WAYS (CAVITIES 1 TO 6))												MODULE-CLIPS 12 VOIES PRECHARGEES (6 VOIES DOREES (ALVEOLES 7 A 12)) 12-WAY PRELOADED FEMALE MODULE (6 GOLDED WAYS (CAVITIES 7 TO 12))																	
NUMERO ISOLANT / MODULE P/N	250 1 X 001												250 1 X 001												250 1 X 001												250 1 X 001																	
NUMERO ALVEOLE / CAVITY NUMBER	12	11	10	09	08	07	06	05	04	03	02	01	12	11	10	09	08	07	06	05	04	03	02	01	12	11	10	09	08	07	06	05	04	03	02	01	12	11	10	09	08	07	06	05	04	03	02	01						
TAILLE ALVEOLE / CAVITY SIZE	0.635	0.635	0.635	0.635	0.635	0.635	0.635	0.635	0.635	0.635	0.635	0.635	0.635	0.635	0.635	0.635	0.635	0.635	0.635	0.635	0.635	0.635	0.635	0.635	0.635	0.635	0.635	0.635	0.635	0.635	0.635	0.635	0.635	0.635	0.635	0.635	0.635	0.635	0.635	0.635	0.635	0.635	0.635	0.635	0.635	0.635	0.635	0.635	0.635					
CHARGEMENT / LOADING													CHARGEMENT / LOADING												CHARGEMENT / LOADING												CHARGEMENT / LOADING																	
CLIP 0635 ETAME 0635 TINED FEMALE TERMINAL REF. MVL / MVL P/N: 250 C 1 010 REF. DELPHI / DELPHI P/N: 33506019	X	X	X	X	X	X	X	X	X	X	X	X							X	X	X	X	X	X									X	X	X	X	X	X																
CLIP 0635 DORE 0635 GOLDED FEMALE TERMINAL REF. MVL / MVL P/N: 250 C 2 010 REF. DELPHI / DELPHI P/N: 33522310													X	X	X	X	X	X																									X	X	X	X	X	X						
VUE DU PRODUIT ECHELLE 2:1 PRODUCT VIEW SCALE 2:1																																																						

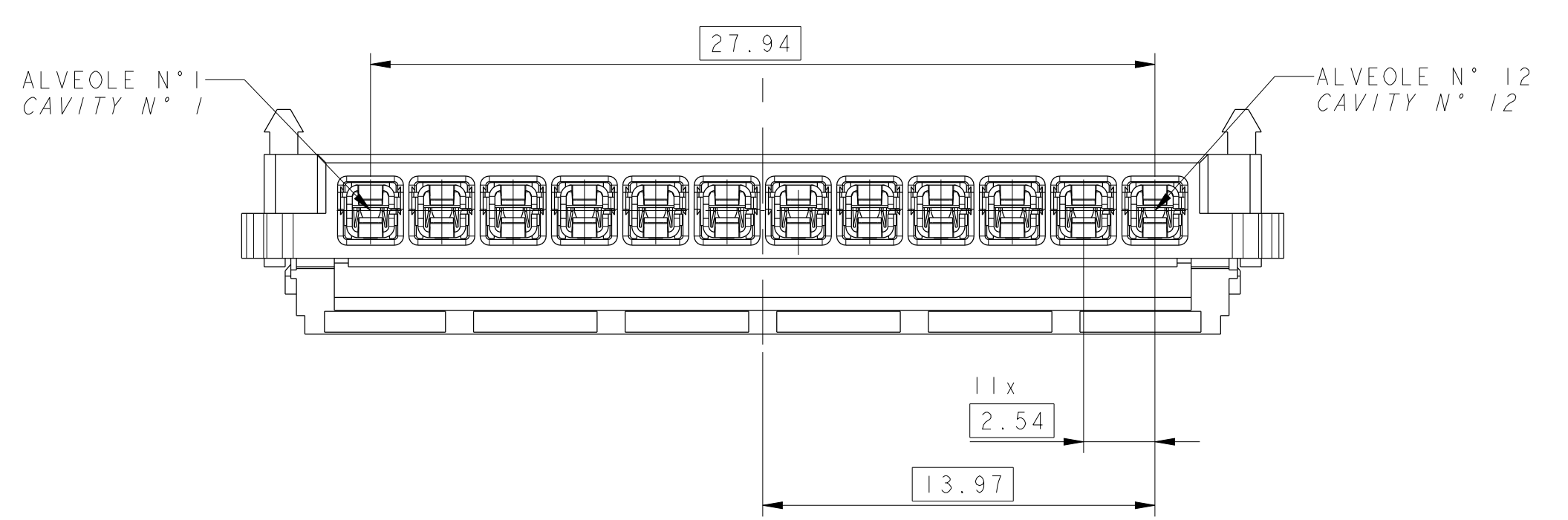
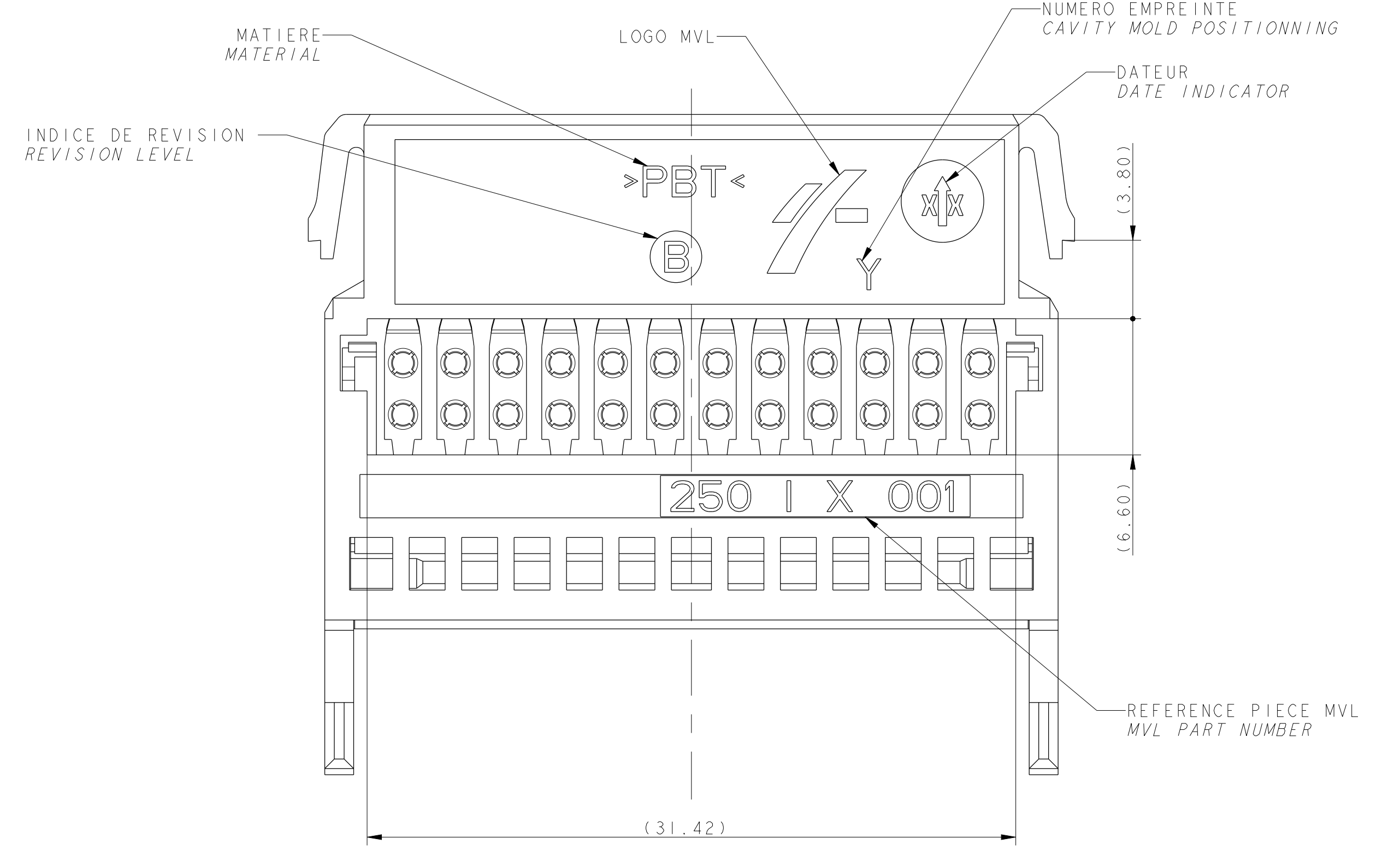
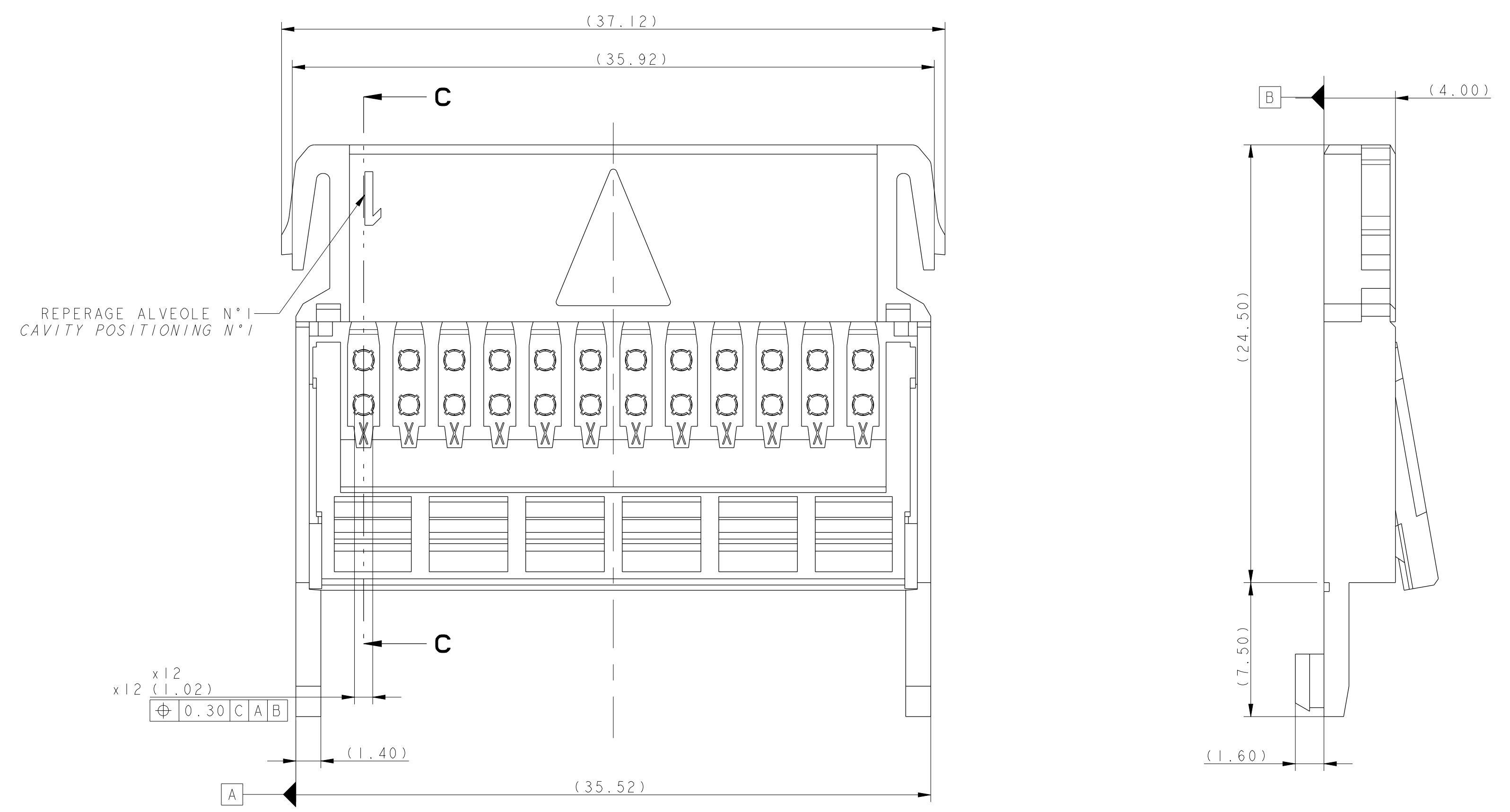
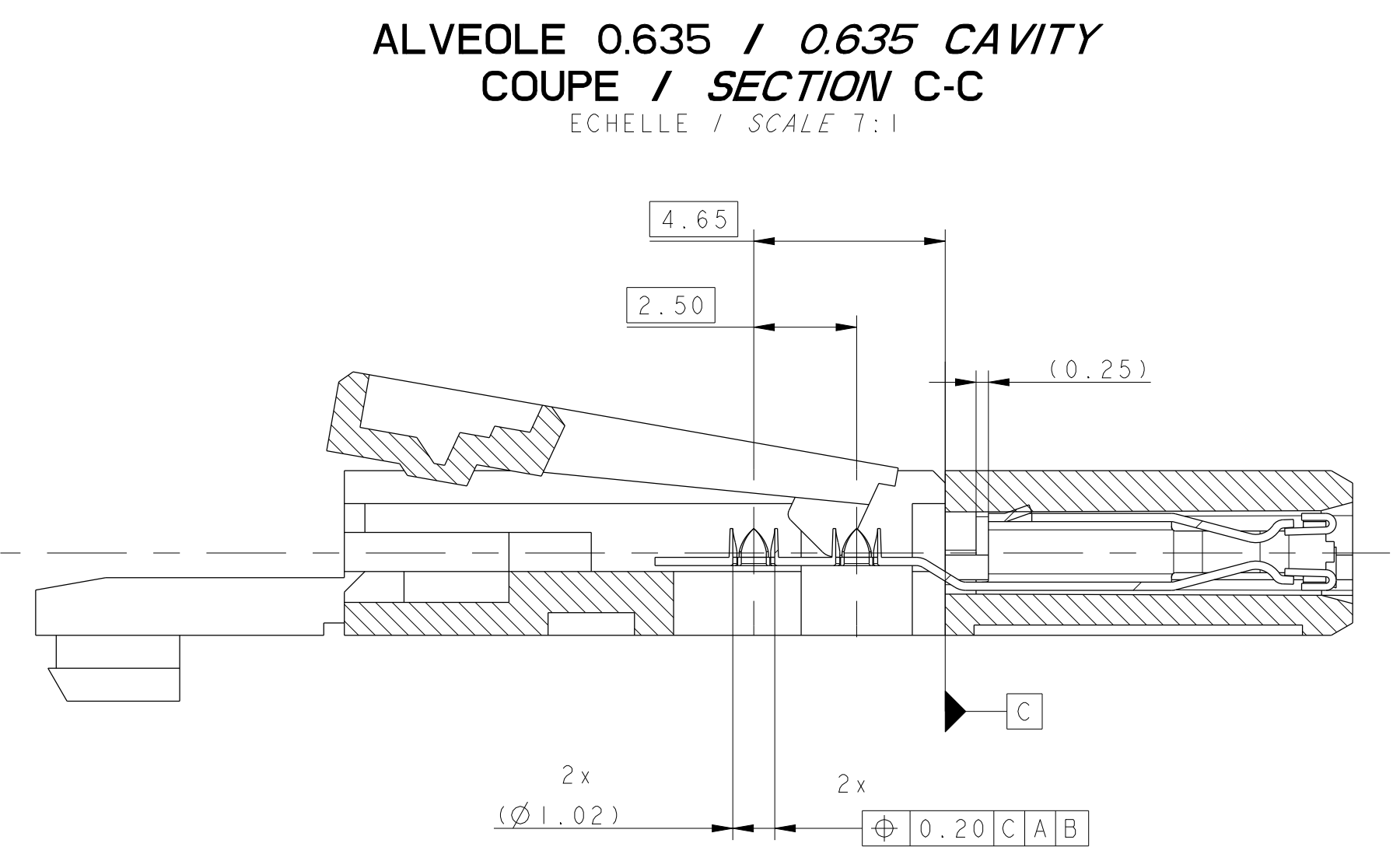


PRODUITS FINIS / FINISHED PRODUCTS

COULEUR / COLOUR	X	NUMERO MVL MVL P/N	NUMERO DELPHI DELPHI P/N	NUMERO MVL MVL P/N	NUMERO DELPHI DELPHI P/N	NUMERO MVL MVL P/N	NUMERO DELPHI DELPHI P/N	NUMERO MVL MVL P/N	NUMERO DELPHI DELPHI P/N
NOIR / BLACK	0	250 MC 12 1 F 0 001	33514526	/	/	/	/	/	/
VERT / GREEN	5	/	/	250 MC 12 1 F 5 002	33522311	250 MC 12 1 F 5 003	33522312	250 MC 12 1 F 5 004	33522313

EN-COURS / RUNNING PRODUCTS

COULEUR / COLOUR	X	NUMERO MVL MVL P/N	NUMERO MVL MVL P/N	NUMERO MVL MVL P/N	NUMERO MVL MVL P/N
NOIR / BLACK	0	/	/	/	/
VERT / GREEN	5	/	/	250 X 020	250 X 021



NOTA: pour les cotes liees aux isolants, se referer aux plans de definition.
NOTE: for the plastic parts dimensions, refer to the definition drawings.

MODULE-CLIPS 250 MC 12 1 F 0 001 REPRESENTE
250 MC 12 1 F 0 001 FEMALE MODULE DESIGNED

**MISE EN OEUVRE
APPLICATION SPECIFICATION**
DOSSIER DE PRECONISATION : PU 031
USER'S MANUAL - PU 031
PRECONISATION DE SERTISSAGE FLEX : PU091
FLEX CRIMPING SPECIFICATION : PU091

**CAHIER DES CHARGES
SPECIFICATION**

RENAULT 36-05-0197--E
SIEMENS 10 00 196/ind F

ECO NO.	POSITION	CHANGE DESCRIPTION
A 03 003	ADDED	BELPHI P/N ADDED

DELPHI	12-W FEMALE MIDDLE	PCC0847629	A
DELPHI	FLEX CONNECTOR MOLDPACK		A
DELPHI			A