

Tous droits strictement reserves. Reproduction ou communication a des tiers interdite sous quelque forme que ce soit sans autorisation ecrite du proprietaire. Propriete de c FCI. Droits de reproduction FCI.

All rights strictly reserved. Reproduction or issue to third parties in any form whatever is not permitted without written authority from the proprietor. Property of FCI. Copyright FCI.

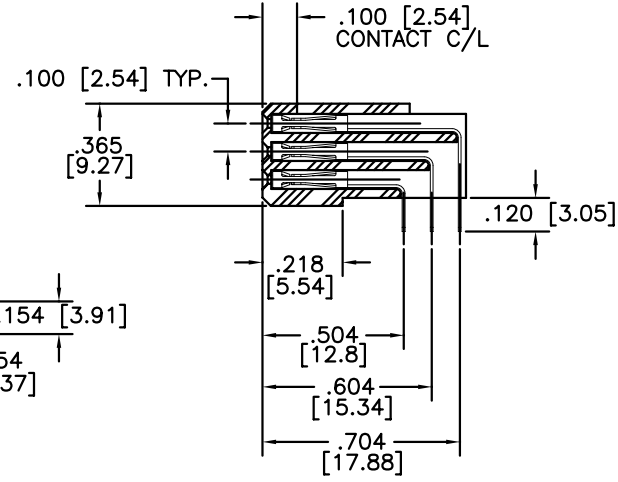
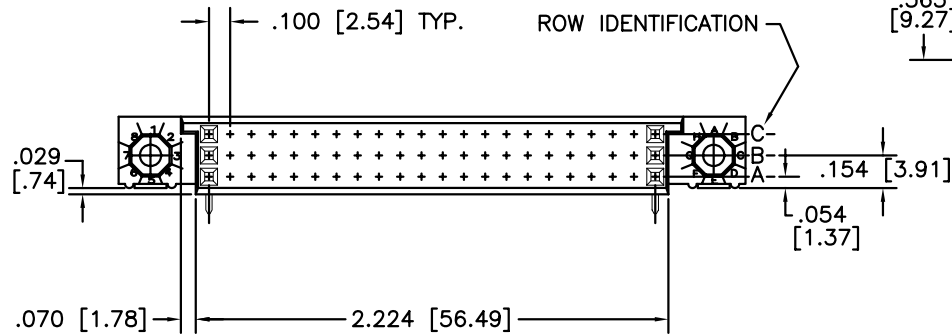
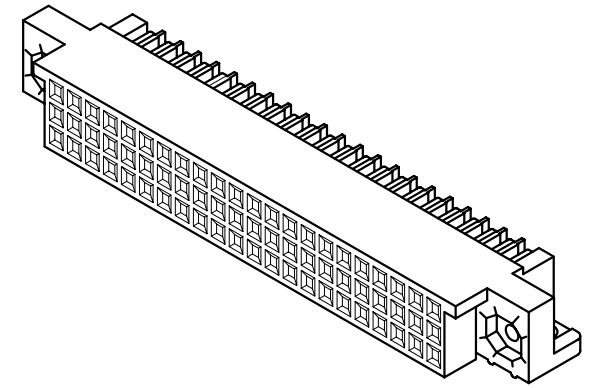
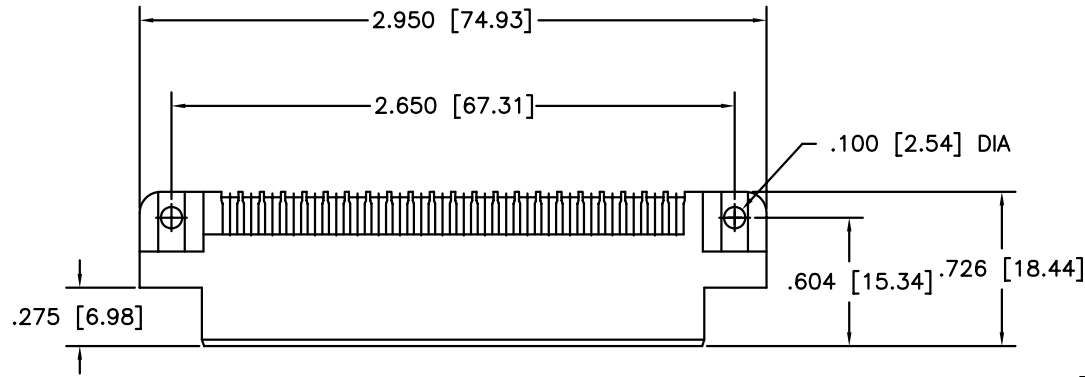
A
FCI


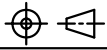
A

B

B

PRODUCT NUMBER
SEE TABLE



mat'l. code NOTE 1				tolerances unless otherwise specified		CUSTOMER COPY		 www.fciconnect.com	
ltr	ecn no	dr	date	linear	.xxx ±.005/.xx±.13	projection	title PCB MOUNTED RECEPTACLES CTP14 3x22 R/A .100" GRID		
C	C05-0706	HTB	8/11/05	angles	0° ± 1°		product family NORCON		code 213
				dr	T. BREWBAKER 8/11/05	INCH/MM	size A		sheet 1 of 2
				enr	T. BREWBAKER 8/11/05	scale N.T.S.	56795		
				chr	T. BREWBAKER 8/11/05				
				appd	T. BREWBAKER 8/11/05				
sheet index	revision sheet	C	C						
		1	2						

1 | 2

3 |

4

ACAD

PDM: Rev:C

STATUS: Released

Printed: Aug 27, 2005

cage code
22526



PRODUCT NO.	ENG. CODE	DESCRIPTION	DIM "A"	NOTES
A0351381	CTP14P066B	66 POSITIONS (3X22)	.120 [3.05]	-
A0351381LF	-	66 POSITIONS (3X22)	.120 [3.05]	NOTE 3 and 4
A0728503 F0728503	CTP14P066V	66 POSITIONS (3X22) SHORT TAILS	.087 [2.20]	-

SPECIFICATIONS-MECHANICAL:

- * INSERTION FORCE - 150 G/CONTACT MAX
- * WITHDRAWAL FORCE: 20 G/CONTACT MIN
- * CONTACT RETENTION: 900 G/CONTACT MIN
- * CONTACT NORMAL FORCE: 120 G/CONTACT MIN
- * DURABILITY - 200 CYCLES
- * OPERATING TEMPERATURE: -55°C TO +85°C

SPECIFICATIONS-ELECTRICAL:

- * CURRENT RATING(CONTINUOUS): 1 AMP/CONTACT MAX
- * CONTACT RESISTANCE: 20 MILLIOHMS MAX
- * INSULATION RESISTANCE: 5000 MEGOHMS MIN
- * DIELECTRIC WITHSTAND VOLTAGE: 900V RMS

FEATURES:

- * 66 CONTACTS - SIDE ENTRY
- * BIFURCATED CONTACT DESIGN (N/S ORIENTATION)
- * SELECTIVELY PLATED GOLD CONTACT
- * Ni UNDERPLATE SUITABLE FOR NO-CLEAN OPERATION
- * SnPb OR Sn PLATED CONTACT LEADS FOR SOLDERABILITY
- * POLARIZATION FEATURE ON BODY
- * HEXAGONAL KEY POLARIZATION
- * INTENDED FOR USE ON .062/1.57 THICK PCB
- * INTENDED FOR USE ON .025/0.64 SQUARE PINS

NOTES:

- HOUSING MATERIAL: HIGH TEMPERATURE NYLON, ALTERNATE: PPS, GLASS FILLED, FLAME RETARDENT PER UL 94V-0, COLOR: BLACK.
 TERMINAL MATERIAL: CA510 ALLOY
 CONTACT FINISH: 30u"/.76u Au
 CONTACT UNDERPLATE: 100u"/2.54u Ni
 SOLDER TAIL FINISH: 100u"/2.54u SnPb
 LF SOLDER TAIL FINISH: 100u"/2.54u Sn
 OVERALL UNDERPLATE: 20u"/0.51u Ni
- PACKAGED IN ANTI-STATIC TRAYS.
- PART NUMBERS WITH AN LF SUFFIX MEET EUROPEAN UNION DIRECTIVES AND OTHER COUNTRY REGULATIONS AS DESCRIBED IN GS-22-008.
- THE HOUSING WILL WITHSTAND EXPOSURE TO 260°C PEAK TEMPERATURE FOR 10 SECONDS IN A WAVE SOLDER APPLICATION WITH A .062" [1.57mm] THICK CIRCUIT BOARD.

mat'l. code				tolerances unless otherwise specified		CUSTOMER COPY		 www.fciconnect.com	
ltr	ecn no	dr	date	linear	.xxx ±.005/.xx±.13	projection	title		
c				angles	0° ± 1°		PCB MOUNTED RECEPTACLES		
				dr	T. BREWBAKER 8/11/05	INCH/MM	product family	NORCON	code
				enr	T. BREWBAKER 8/11/05	scale	size	dwg no	213
				chr	T. BREWBAKER 8/11/05	N.T.S.	A	56795	sheet
				appd	T. BREWBAKER 8/11/05				2 of 2
sheet index	revision sheet								