

177900-6 ✓ ACTIVE



## Power Double Lock

TE Internal #: 177900-6

Rectangular Power Connectors, Housing, Plug, Wire-to-Wire, 4 Position, 3.96 mm [.156 in] Centerline, Wire & Cable, UL 94V-0, Power Double Lock

[View on TE.com >](#)

Connectors > Power Connectors > Rectangular Power > Rectangular Power Connectors > STD Temp Power Double Lock Plug



Rectangular Power Connector Type: **Housing**

Connector & Housing Type: **Plug**

Connector System: **Wire-to-Wire**

Number of Positions: **4**

Centerline (Pitch): **3.96 mm [.156 in]**

[All STD Temp Power Double Lock Plug \(67\)](#)

## Features

### Product Type Features

Compatible With Discrete Wire Type	Stranded
Rectangular Power Connector Type	Housing
Connector & Housing Type	Plug
Connector System	Wire-to-Wire
Sealable	No
Connector & Contact Terminates To	Wire & Cable

### Configuration Features

Number of Positions	4
Number of Power Positions	0
Number of Signal Positions	0
Number of Rows	2

### Electrical Characteristics



Operating Voltage	300 VAC
-------------------	---------

### Contact Features

Contact Layout	Matrix
Contact Retention Within Housing	Without
Contact Type	Receptacle

### Termination Features

Termination Method to Wire & Cable	Crimp
------------------------------------	-------

### Mechanical Attachment

Connector Mounting Type	Cable Mount (Free-Hanging)
-------------------------	----------------------------

### Housing Features

Centerline (Pitch)	3.96 mm [.156 in]
Housing Color	Blue
Housing Material	Nylon 6/6

### Dimensions

Compatible Insulation Diameter Range	3.1 mm
Row-to-Row Spacing	4.6 mm [.181 in]

### Usage Conditions

Operating Temperature Range	-30 – 105 °C [-22 – 221 °F]
-----------------------------	-----------------------------

### Operation/Application

Circuit Application	Power & Signal
---------------------	----------------

### Industry Standards

Agency/Standard	CSA, UL, VDE
UL Flammability Rating	UL 94V-0
Glow Wire Rating	Standard Part - Not Glow Wire

### Packaging Features

Packaging Quantity	300
Packaging Method	Bag

### Product Compliance

[For compliance documentation, visit the product page on TE.com>](#)

EU RoHS Directive 2011/65/EU	Compliant
------------------------------	-----------



EU ELV Directive 2000/53/EC

Compliant

China RoHS 2 Directive MIIT Order No 32, 2016

No Restricted Materials Above Threshold

EU REACH Regulation (EC) No. 1907/2006

Current ECHA Candidate List: JUNE 2023 (235)  
 Candidate List Declared Against: JUNE 2023 (235)  
 Does not contain REACH SVHC

Halogen Content

Low Halogen - Br, Cl, F, I < 900 ppm per homogenous material. Also BFR/CFR/PVC Free

Solder Process Capability

Not applicable for solder process capability

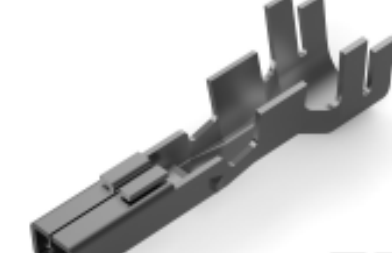
Product Compliance Disclaimer

This information is provided based on reasonable inquiry of our suppliers and represents our current actual knowledge based on the information they provided. This information is subject to change. The part numbers that TE has identified as EU RoHS compliant have a maximum concentration of 0.1% by weight in homogenous materials for lead, hexavalent chromium, mercury, PBB, PBDE, DBP, BBP, DEHP, DIBP, and 0.01% for cadmium, or qualify for an exemption to these limits as defined in the Annexes of Directive 2011/65/EU (RoHS2). Finished electrical and electronic equipment products will be CE marked as required by Directive 2011/65/EU. Components may not be CE marked. Additionally, the part numbers that TE has identified as EU ELV compliant have a maximum concentration of 0.1% by weight in homogenous materials for lead, hexavalent chromium, and mercury, and 0.01% for cadmium, or qualify for an exemption to these limits as defined in the Annexes of Directive 2000/53/EC (ELV). Regarding the REACH Regulation, the information TE provides on SVHC in articles for this part number is based on the latest European Chemicals Agency (ECHA) 'Guidance on requirements for substances in articles' posted at this URL: <https://echa.europa.eu/guidance-documents/guidance-on-reach>

## Compatible Parts



TE Part # CAT-P87024-R2435  
Power Double Lock Receptacle



TE Part # 179593-1  
AMP POWER D/LOCK RECCONT. L/P



TE Part # 179592-1  
AMP POWER D/LOCK REC CONT. L/P



TE Part # 179592-2  
POWER D/LOCK REC CONT. H/P L/P



TE Part # 179593-2  
POWER D/LOCK REC CONT. H/P L/P



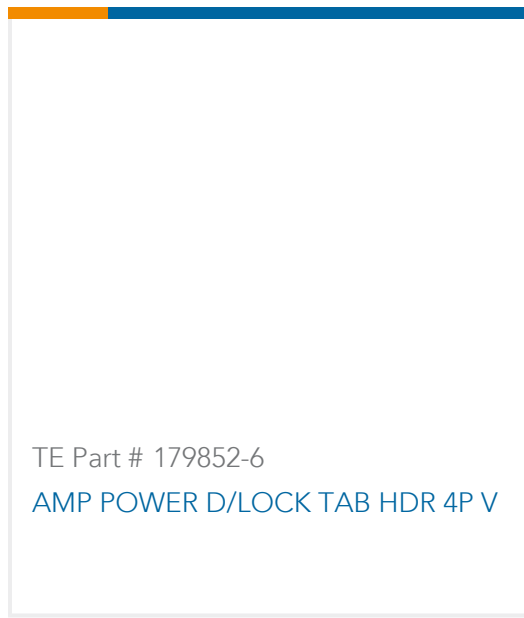
TE Part # CAT-P87024-C1701  
STD Temp Power Double Lock Cap



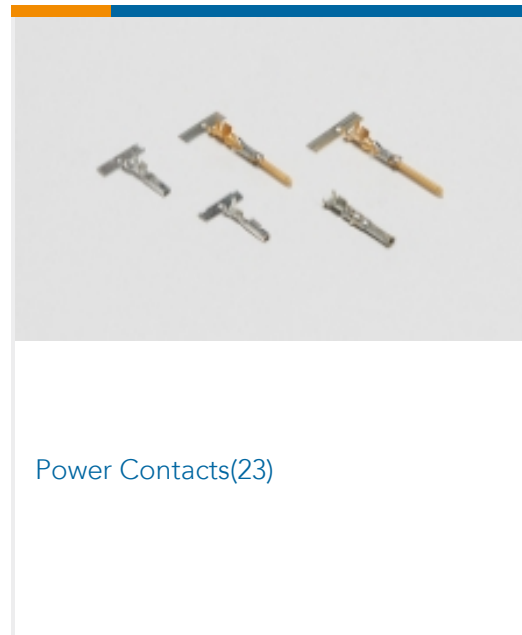
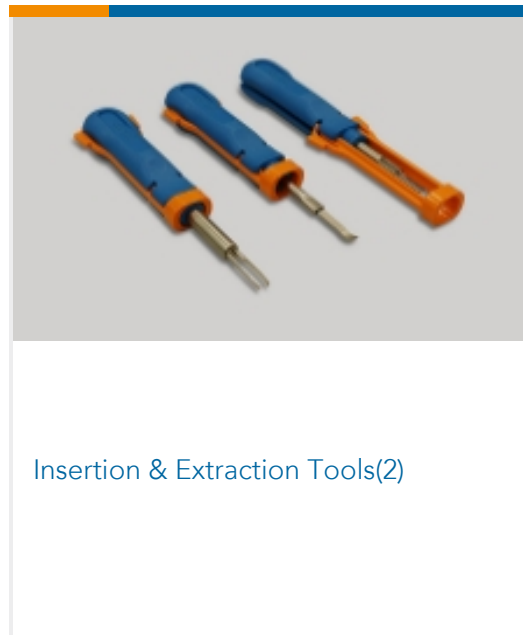
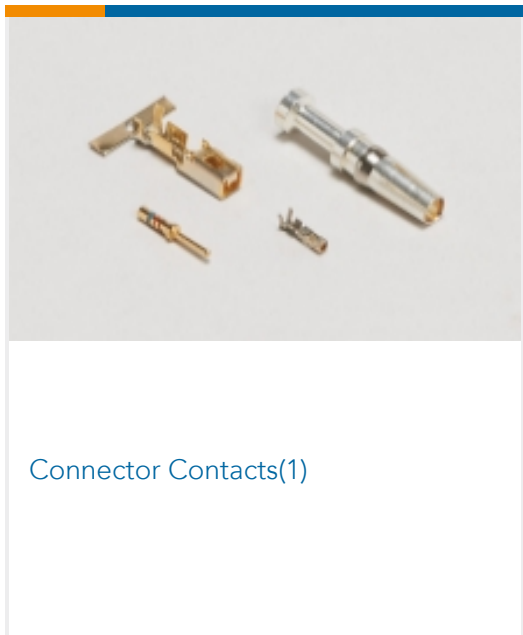
TE Part # 179840-6  
AMP POWER D/LOCK T/HDR ASSY 4P



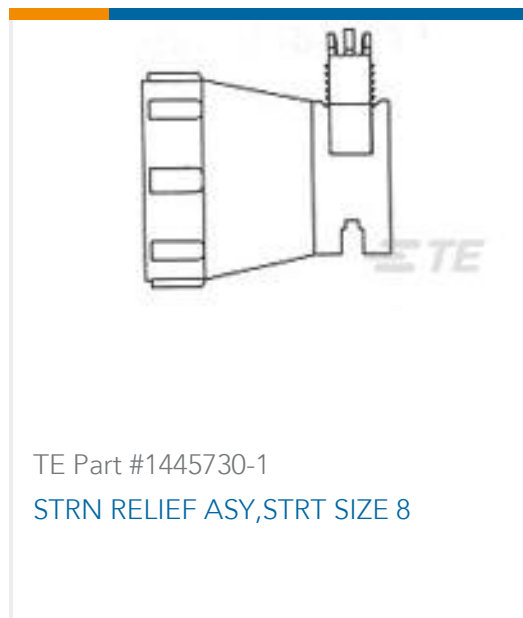
TE Part # 1-368575-6  
PDL 4P PLUG 3.96 D/R(GWT) BLU



### Also in the Series | Power Double Lock



### Customers Also Bought





## Documents

### Product Drawings

#### POWER DBL LOCK PLUG HSG 4P

English

### CAD Files

#### Customer View Model

##### ENG\_CVM\_177900-6\_F.3d\_igs.zip

English

#### Customer View Model

##### ENG\_CVM\_177900-6\_F.3d\_stp.zip

English

#### Customer View Model

##### ENG\_CVM\_177900-6\_F.2d\_dxf.zip

English

### 3D PDF

English

### 3D PDF

3D

#### Customer View Model

##### ENG\_CVM\_CVM\_177900-6\_S.2d\_dxf.zip

English

#### Customer View Model

##### ENG\_CVM\_CVM\_177900-6\_S.3d\_igs.zip

English

#### Customer View Model

##### ENG\_CVM\_CVM\_177900-6\_S.3d\_stp.zip

English

By downloading the CAD file I accept and agree to the [Terms and Conditions](#) of use.

### Datasheets & Catalog Pages

#### SOFT\_SHELL\_PIN\_AND\_SOCKET\_CONNECTORS\_CATALOG

English

### Product Specifications

#### Application Specification

English

### Instruction Sheets

#### Instruction Sheet (non U.S.)

English

#### AMP POWER DOUBLELOCK CONNECTOR SERIES

English

### Agency Approvals

#### CSA Certificate

177900-6

Rectangular Power Connectors, Housing, Plug, Wire-to-Wire, 4 Position, 3.96 mm [.156 in] Centerline, Wire & Cable, UL 94V-0, Power Double Lock



English