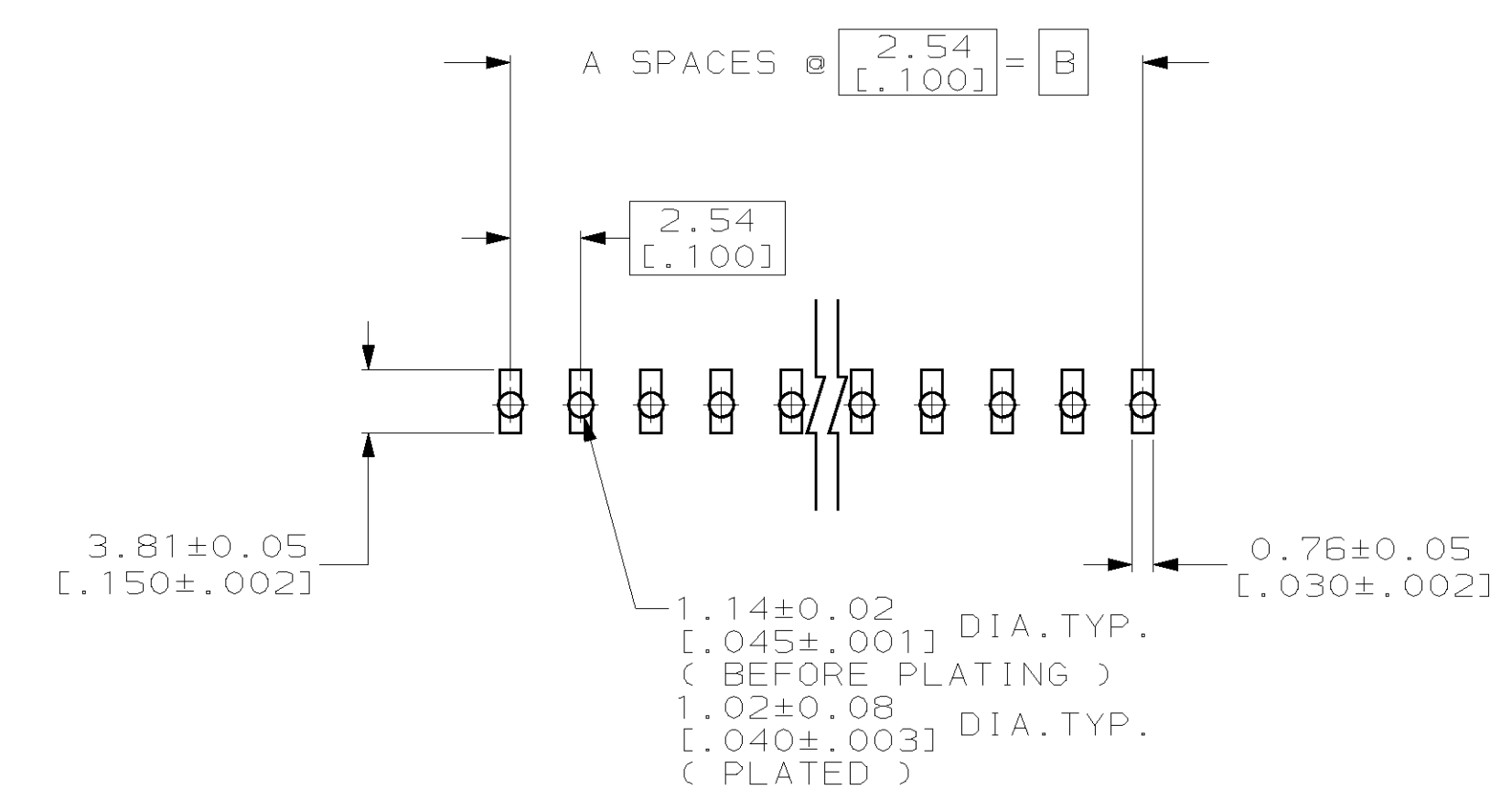
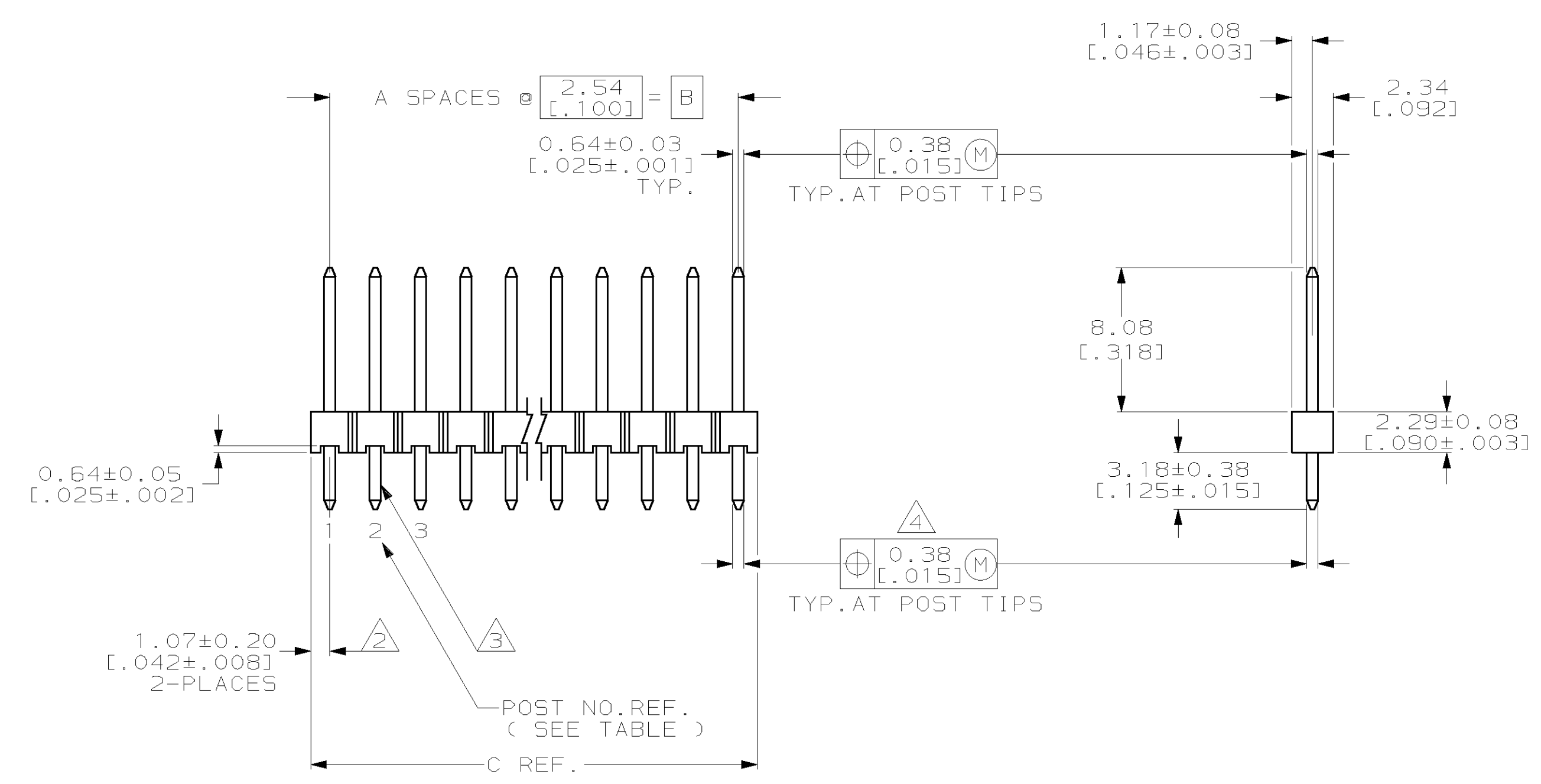


REVISONS		DATE	OWN	APPRO
AD	39			
	0	DP 4633-95-74	6/12/95	TH GD
	A	EC 0010-0252-96	2/17/97	LSB GD
	B	REV PER 0430-0373-97	18-NOV-97	EB JG
	C	REV PER 0430-0257-97	19AUG99	BH JG
	D	REV PER 0621-0107-98	09NOV99	BH JG
	E	REV PER 0621-0244-98	30NOV99	BH JG
	F	REV PER 063C-0248-99	31JAN00	BH JG
	G	REV PER 063C-0229-99	04FEB00	BH JG
	H	REV PER EC 063C-0495-03	10MAR04	MB JG

- TRUE POSITION TOLERANCE OF THE POST TIPS APPLIES WHEN THE HEADER IS HELD FLAT AGAINST THE PRINTED CIRCUIT BOARD.
- THE NOTED DIMENSIONS APPLY AT THE INTERSECTION OF THE POST AND HOUSING.
- RETENTION FEATURES ON SOLDER TAILS, LOCATED AT MANUFACTURERS OPTION.
- $\oplus 0.51 [0.020] \text{ (M)}$  FOR KINKED TAILS.
- 0.00254-0.00504 [0.00100-.000200] MATTE TIN-LEAD, ALL OVER 0.00127 [0.00050] NICKEL.
- HOUSING: LCP, COLOR-BLACK. POSTS: PHOSPHOR BRONZE



RECOMMENDED PC BOARD MOUNTING DIMENSIONS FOR .063 [1.60] THICK PC BOARD AND .012 [0.305] STENCIL THICK.

LOC	DIST	DESCRIPTION	DATE	OWN	APPRO
101.19	99.06				
[3.984]	[3.900]				
98.65	96.52				
[3.884]	[3.800]				
96.11	93.98				
[3.784]	[3.700]				
93.57	91.44				
[3.684]	[3.600]				
91.03	88.90				
[3.584]	[3.500]				
88.49	86.36				
[3.484]	[3.400]				
85.95	83.82				
[3.384]	[3.300]				
83.41	81.28				
[3.284]	[3.200]				
80.87	78.74				
[3.184]	[3.100]				
78.33	76.20				
[3.084]	[3.000]				
75.79	73.66				
[2.984]	[2.900]				
73.25	71.12				
[2.884]	[2.800]				
70.71	68.58				
[2.784]	[2.700]				
68.17	66.04				
[2.684]	[2.600]				
65.63	63.5				
[2.584]	[2.500]				
63.09	60.96				
[2.484]	[2.400]				
60.55	58.42				
[2.384]	[2.300]				
58.01	55.88				
[2.284]	[2.200]				
55.47	53.34				
[2.184]	[2.100]				
52.93	50.80				
[2.084]	[2.000]				
50.39	48.26				
[1.984]	[1.900]				
47.85	45.72				
[1.884]	[1.800]				
45.31	43.18				
[1.784]	[1.700]				
42.77	40.64				
[1.684]	[1.600]				
40.23	38.10				
[1.584]	[1.500]				
37.69	35.56				
[1.484]	[1.400]				
35.15	33.02				
[1.384]	[1.300]				
32.61	30.48				
[1.284]	[1.200]				
30.07	27.94				
[1.184]	[1.100]				
27.53	25.40				
[1.084]	[1.000]				
24.99	22.86				
[.984]	[.900]				
22.45	20.32				
[.884]	[.800]				
19.91	17.78				
[.784]	[.700]				
17.37	15.24				
[.684]	[.600]				
14.83	12.70				
[.584]	[.500]				
12.29	10.16				
[.484]	[.400]				
9.75	7.62				
[.384]	[.300]				
7.21	5.08				
[.284]	[.200]				
4.67	2.54				
[.184]	[.100]				
2.13	-				
[.084]	[ - ]				

SUPERSEDED BY 146262-1 OBSOLETE

DIMENSIONS: 0 PLC ±.010, 1 PLC ±.015, 2 PLC ±.020, 3 PLC ±.025, 4 PLC ±.030, ANGLES ±.010		TOLERANCES UNLESS OTHERWISE SPECIFIED: ±.010, ±.015, ±.020, ±.025, ±.030, ±.035, ±.040, ±.045, ±.050, ±.055, ±.060, ±.065, ±.070, ±.075, ±.080, ±.085, ±.090, ±.095, ±.100, ±.105, ±.110, ±.115, ±.120, ±.125, ±.130, ±.135, ±.140, ±.145, ±.150, ±.155, ±.160, ±.165, ±.170, ±.175, ±.180, ±.185, ±.190, ±.195, ±.200, ±.205, ±.210, ±.215, ±.220, ±.225, ±.230, ±.235, ±.240, ±.245, ±.250, ±.255, ±.260, ±.265, ±.270, ±.275, ±.280, ±.285, ±.290, ±.295, ±.300, ±.305, ±.310, ±.315, ±.320, ±.325, ±.330, ±.335, ±.340, ±.345, ±.350, ±.355, ±.360, ±.365, ±.370, ±.375, ±.380, ±.385, ±.390, ±.395, ±.400, ±.405, ±.410, ±.415, ±.420, ±.425, ±.430, ±.435, ±.440, ±.445, ±.450, ±.455, ±.460, ±.465, ±.470, ±.475, ±.480, ±.485, ±.490, ±.495, ±.500, ±.505, ±.510, ±.515, ±.520, ±.525, ±.530, ±.535, ±.540, ±.545, ±.550, ±.555, ±.560, ±.565, ±.570, ±.575, ±.580, ±.585, ±.590, ±.595, ±.600, ±.605, ±.610, ±.615, ±.620, ±.625, ±.630, ±.635, ±.640, ±.645, ±.650, ±.655, ±.660, ±.665, ±.670, ±.675, ±.680, ±.685, ±.690, ±.695, ±.700, ±.705, ±.710, ±.715, ±.720, ±.725, ±.730, ±.735, ±.740, ±.745, ±.750, ±.755, ±.760, ±.765, ±.770, ±.775, ±.780, ±.785, ±.790, ±.795, ±.800, ±.805, ±.810, ±.815, ±.820, ±.825, ±.830, ±.835, ±.840, ±.845, ±.850, ±.855, ±.860, ±.865, ±.870, ±.875, ±.880, ±.885, ±.890, ±.895, ±.900, ±.905, ±.910, ±.915, ±.920, ±.925, ±.930, ±.935, ±.940, ±.945, ±.950, ±.955, ±.960, ±.965, ±.970, ±.975, ±.980, ±.985, ±.990, ±.995, ±.1000		DWN: I. HOFFMAN 6/12/95 CHK: G. DUBNICKI 1/2/96 APP'D: G. DUBNICKI 1/2/96	
MATERIAL: POSTS		AMP Incorporated Harrisburg, PA 17105-3608			
WEIGHT: -		SIZE: A1 CASE CODE: 00779 DRAWING NO: C-146286			
CUSTOMER DRAWING		SCALE: 4:1 SHEET: 1 OF 1 REV: H			