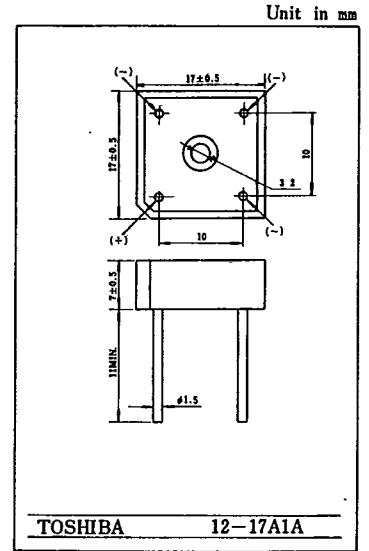
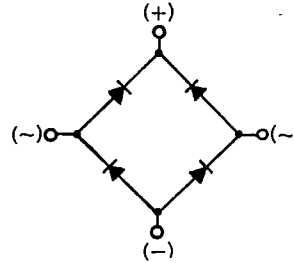


4J4B41 600V 4A

MAXIMUM RATINGS

CHARACTERISTIC	SYMBOL	RATING	UNIT
Repetitive Peak Reverse Voltage	V_{RRM}	100	V
		200	
		400	
		600	
Average Output Rectified Current	I_o	$T_a=30^\circ\text{C}$: 3.0	A
		$T_f=87^\circ\text{C}$: 4.0	
Peak One Cycle Surge Forward Current (Non-Repetitive)	I_{FSM}	150	A
Junction Temperature	T_j	-40~150	$^\circ\text{C}$
Storage Temperature Range	T_{stg}	-40~150	$^\circ\text{C}$
Screw Torque		5	kg cm

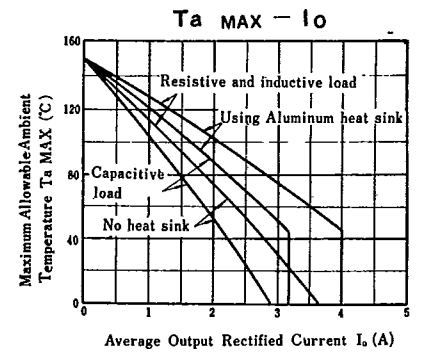
POLARITY



ELECTRICAL CHARACTERISTICS

CHARACTERISTIC	SYMBOL	CONDITION	MIN.	TYP.	UNIT
Peak Forward Voltage	V_{FM}	$I_{FM}=6A, T_a=25^\circ\text{C}$	-	1.0	V
Repetitive Peak Reverse Current	I_{RRM}	$V_{RRM}=\text{Rated}, T_j=25^\circ\text{C}$	-	10	μA
Thermal Resistance (Junction to Fin)	$R_{th(j-f)}$	DC	-	8.8	$^\circ\text{C}/\text{W}$
Thermal Resistance (Junction to Ambient)	$R_{th(j-a)}$	DC	-	23	$^\circ\text{C}/\text{W}$

- Note 1. Fully coat the contact surface between the cooling fin and rectifier stack with silicon grease and contact them each other.
 2. T_f : External cooling fin temperature.

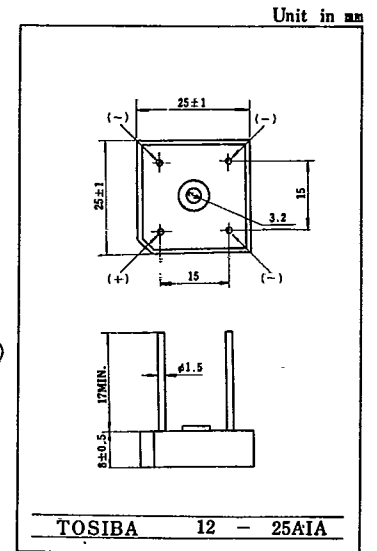
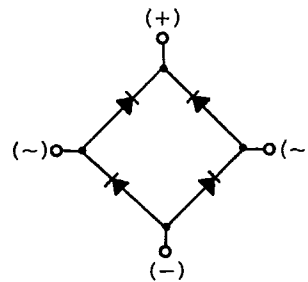


6J4B41 600V 6A

MAXIMUM RATINGS

CHARACTERISTIC	SYMBOL	RATING	UNIT
Repetitive Peak Reverse Voltage	V_{RRM}	100	V
		200	
		400	
		600	
Average Output Rectified Current	I_o	$T_a=30^\circ\text{C}$: 3.8	A
		$T_f=104^\circ\text{C}$: 6.0	
Peak One Cycle Surge Forward Current (Non-Repetitive)	I_{FSM}	200	A
Junction Temperature	T_j	-40~150	$^\circ\text{C}$
Storage Temperature Range	T_{stg}	-40~150	$^\circ\text{C}$
Screw Torque		7	kg cm

POLARITY



ELECTRICAL CHARACTERISTICS

CHARACTERISTIC	SYMBOL	CONDITION	MIN.	MAX.	UNIT
Peak Forward Voltage	V_{FM}	$I_{FM}=9A, T_a=25^\circ\text{C}$	-	1.0	V
Repetitive Peak Reverse Current	I_{RRM}	$V_{RRM}=\text{Rated}, T_j=25^\circ\text{C}$	-	10	μA
Thermal Resistance (Junction to Fin)	$R_{th(j-f)}$	DC	-	4.2	$^\circ\text{C}/\text{W}$
Thermal Resistance (Junction to Ambient)	$R_{th(j-a)}$	DC	-	18	$^\circ\text{C}/\text{W}$

- Note 1. Coat the contact surface between the cooling fin and rectifier stack with silicon grease, and contact them each other.
 2. T_f : External cooling fin temperature.

