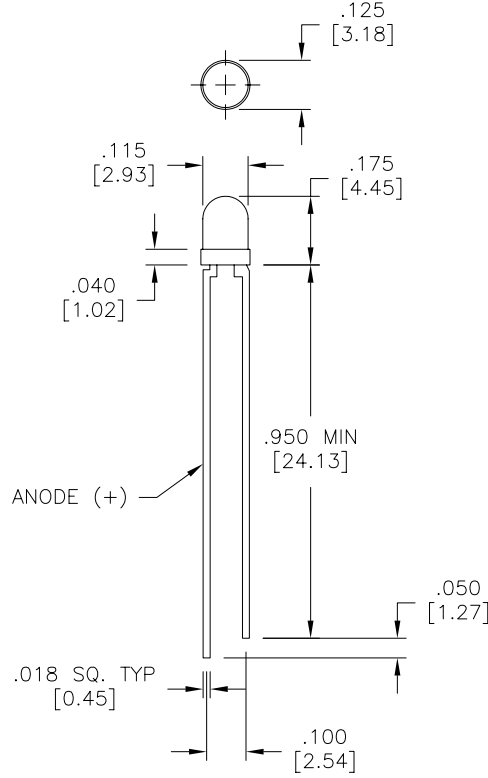


| LTR | REVISION | DATE | APPD |
|-----|----------|----------|------|
| - | RELEASED | 06-04-97 | |

Actual Size



NOTES:

1. ALL DIMS ARE IN INCHES (MILLIMETERS).
2. TOLERANCE IS ± 0.010 " (± 0.25 mm) UNLESS OTHERWISE SPECIFIED.
3. LEAD SPACING IS MEASURED WHERE LEADS EMERGE FROM THE PACKAGE.
4. SPECIFICATIONS ARE SUBJECT TO CHANGE WITHOUT NOTICE.

| LEDTRONICS PART NO. | L.E.D. RADIATION COLOR | L.E.D. APPEARANCE | ABSOLUTE MAXIMUM RATINGS (Ta=25°C) | | | | ELECTRO-OPTICAL CHARACTERISTICS (Ta=25°C) | | | | | |
|---------------------|------------------------|-------------------|------------------------------------|------|-----------------------|-----------------------|---|------------------|---------------|------------|-----------------------|-------------------|
| | | | Vf V | Vr V | To _{pr} (°C) | T _{stg} (°C) | Vf V | Iv mcd (min/typ) | If mA typ/max | VIEW ANGLE | I _r max μA | λ _P nm |
| L120TR3-5V | HIGH EFF RED | DIFFUSED | 7.5 | 5 | -40 TO +85 | -55 TO +100 | 5 | 2.1/8.0 | 10/15 | 60 | 100 | 635 |
| L120TY3-5V | YELLOW | DIFFUSED | 7.5 | 5 | -40 TO +85 | -55 TO +100 | 5 | 2.2/8.0 | 10/15 | 60 | 100 | 583 |
| L120TG3-5V | HIGH EFF GREEN | DIFFUSED | 7.5 | 5 | -40 TO +85 | -55 TO +100 | 5 | 1.6/8.0 | 10/15 | 60 | 100 | 565 |

LEAD SOLDERING TEMP: 260°C FOR 5 SEC.

LED[®]
LEDTRONICS, INC.[™]
 23105 KASHIWA COURT
 TORRANCE, CA 90505

-PROPRIETARY-
 This document contains Proprietary information of LEDTRONICS, INC. It may not be copied, used or disclosed for any purpose without the prior express written consent of LEDTRONICS, INC.

.XXX ± .010 TOLERANCE PER ANSI-Y14.5
 .XX ± .025 (UNLESS OTHERWISE STATED)
 ANGLES ± 0°,30'
 FRACT. ± 1/32

| | | | | | | | |
|----------------|--|--------|--|-------------------|--|---------------------|--|
| TITLE | | | | L120TX3-5V | | | |
| DWG NO | | SCALE | | SHEET | | DATE | |
| DSDR0017 | | 2:1 | | 1 OF 1 | | 06-04-97 | |
| CODE IDENT NO. | | DWG BY | | CHK BY | | QC | |
| 8Z410 | | SMA | | PL 06-04-97 | | CUSTOMER GENERIC | |