

THREE ROW, ONE CELL RIGHT ANGLE FEMALE XD/P™ CONNECTORS 30-225 POSITIONS NO CENTER MOUNTING FEATURE



PHYSICAL PROPERTIES

INSULATION MATERIAL: Glass filled thermoplastic rated UL 94V-0
COLOR: Black
CONTACTS: Copper alloy, nickel plate overall, 30 microinches gold plating in contact zone, tin/lead on solder tails

ELECTRICAL PROPERTIES

CURRENT RATING: 2 Amps/pin
INSULATION RESISTANCE: >1 x 10⁹ Ohms
DIELECTRIC STRENGTH: > 1000 VDC at sea level

ENVIRONMENTAL PROPERTIES

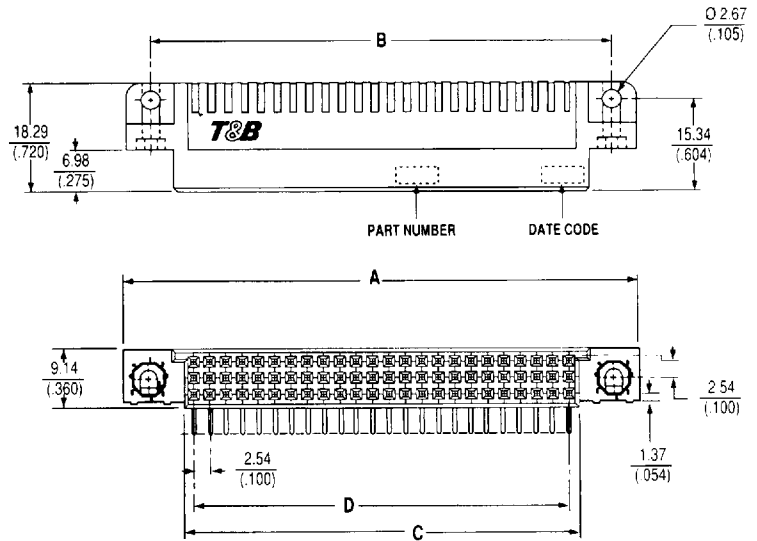
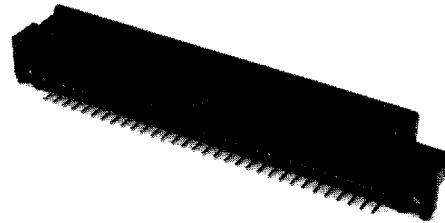
TEMPERATURE RATING: -55°C TO 125°C

MOUNTING HARDWARE

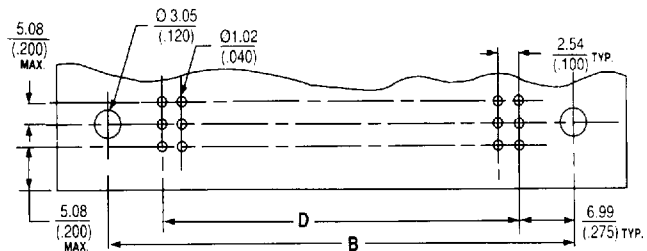
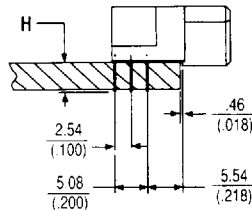
See pages 280-284

SELECTIVE LOADING

See pages 278-279



Recommended Printed Circuit Board Layout



Ordering Information

NUMBER OF POSITIONS WWW	PART NUMBER SPECIFY X	A	B	C	D	X	H TAIL LENGTH	RECOMMENDED PCB THICKNESS RANGE
030	300301X000-21	44.45 (1.750)	36.83 (1.450)	26.01 (1.024)	22.86 (0.900)	A	3.05 (.120)	1.2 - 2.0 (.047 - .077)
072	300721X000-21	80.01 (3.150)	72.39 (2.850)	61.57 (2.424)	58.42 (2.300)	B	3.81 (.150)	2.0 - 2.8 (.078 - .109)
096	300961X000-21	100.33 (3.950)	92.71 (3.650)	81.89 (3.224)	78.74 (3.100)	C	4.57 (.180)	2.8 - 3.6 (.110 - .140)
120	301201 X000-21	120.65 (4.750)	113.03 (4.450)	102.21 (4.024)	99.06 (3.900)			
138	301381 X000-21	135.89 (5.350)	128.27 (5.050)	117.45 (4.624)	114.30 (4.500)			
150	301501X000-21	146.05 (5.750)	138.43 (5.450)	127.61 (5.024)	124.46 (4.900)			
165	301651X000-21	158.75 (6.250)	151.13 (5.950)	140.31 (5.524)	137.16 (5.400)			
180	301801X000-21	171.45 (6.750)	163.83 (6.450)	153.01 (6.024)	149.86 (5.900)			
195	301951X000-21	184.15 (7.250)	176.53 (6.950)	165.71 (6.524)	162.56 (6.400)			
210	302101X000-21	196.85 (7.750)	189.23 (7.450)	178.41 (7.024)	175.26 (6.900)			
225	302251X000-21	209.55 (8.250)	201.93 (7.950)	191.11 (7.524)	187.96 (7.400)			

eg. 302251A000-21

POWER/GUIDE POST MALE XD/P™ CONNECTORS END MOUNT AND CENTER MOUNT



POWER POST MATERIALS AND FINISH

POWER POST BODY: Copper alloy
LOCKWASHER: Copper alloy
NUT: Copper alloy
FINISH: 30 microinches gold plating overall

ELECTRICAL PROPERTIES

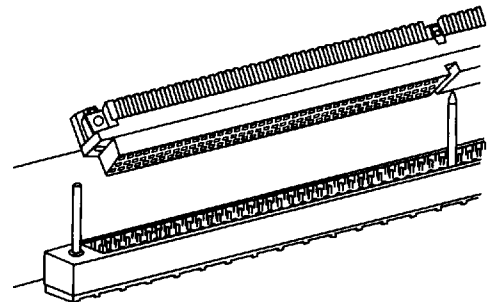
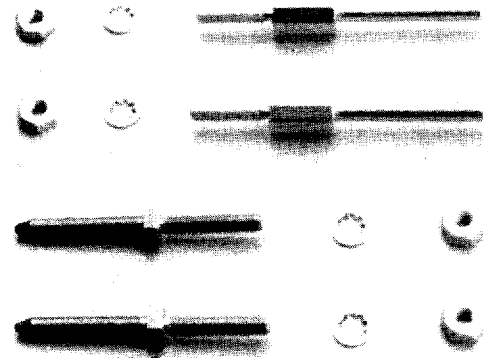
CURRENT RATING: 15 Amps

ENVIRONMENTAL PROPERTIES

TEMPERATURE RATING: -55°C TO 125°C

GUIDE POST MATERIALS AND FINISH

GUIDE POST BODY: Stainless steel, passivated
FINISH: Passivated



Ordering Information

	Ordering Information			APPLICATION	
	CATALOG NO.	A	B		PCB THICKNESS RANGE
END MOUNT	KPP-01-2	26.04 (1.025)	9.52 (.375)	Up to	POWER POST END MOUNT
	KPP-02-2	30.35 (1.195)	9.52 (.375)	3.00 (.118)	
	KPP-06-2	30.35 (1.195)	12.06 (.475)	3.00 (.118)	
	KPP-09-2	26.04 (1.025)	12.06 (.475)	to 5.03 (.198)	
	KPP-10-2	26.04 (1.025)	12.06 (.560)	5.03 (.198)	
	KPP-11-2	30.35 (1.195)	14.22 (.560)	to 8.00 (.315)	
CENTER MOUNT	GPP-01-2	29.21 (1.150)			POWER POST CENTER MOUNT
	GPP-02-2	24.89 (.980)		3.00 (.118)	
	GPP-03-2	26.04 (1.025)	12.06 (.475)	to 5.03 (.198)	
	GPP-04-2	30.35 (1.195)			
	GPP-05-2	21.59 (.850)			
	GPP-06-2	30.35 (1.195)	14.22 (.560)	5.03 (.198) to 8.00 (.315)	
CENTER MOUNT	GPK-01-3		12.06 (.475)	1.19 (.047) to 4.39 (.173)	GUIDE POST CENTER MOUNT
	GPK-02-3	16.51 (.650)	14.27 (.527)	4.42 (.174) to 6.58 (.259)	
	GPK-03-3		19.05 (.750)	6.60 (.260) to 8.00 (.315)	

POWER RECEPTACLES FEMALE XD/P™ CONNECTORS END MOUNT AND CENTER MOUNT



MATERIALS AND FINISH

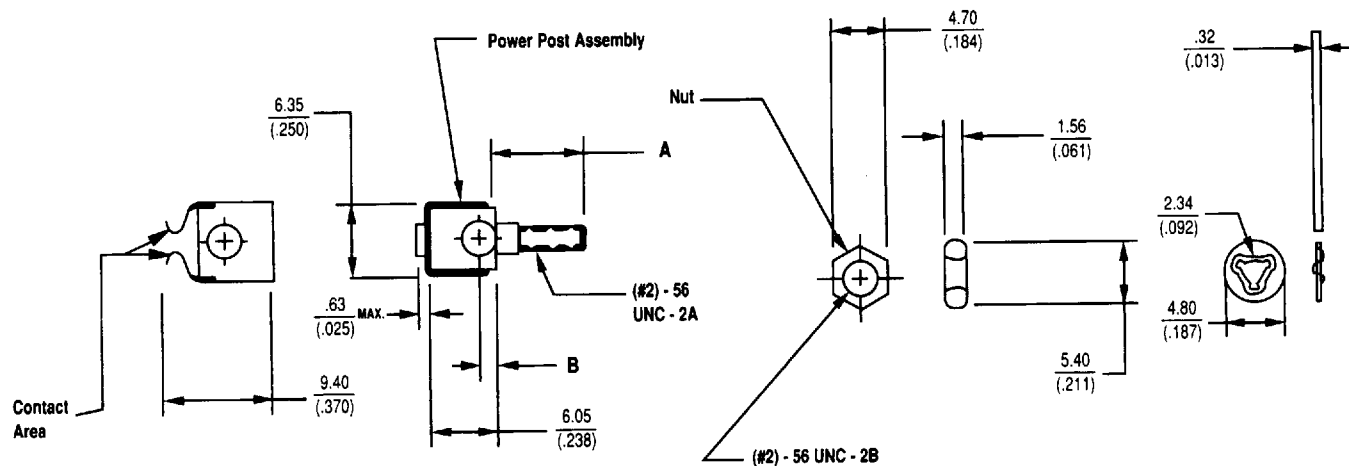
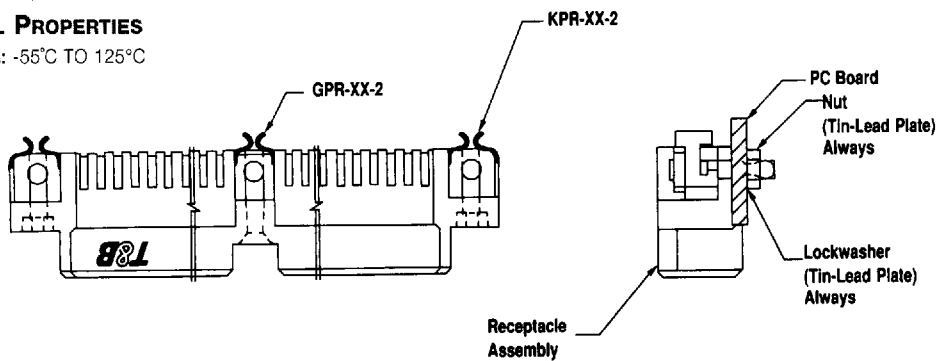
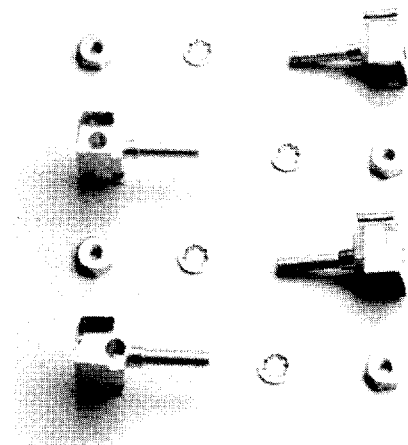
POWER RECEPTACLE BODY: Copper alloy,
30 microinches gold plating overall
POWER RECEPTACLE SPRING: Copper alloy,
30 microinches gold plating in contact zone
LOCKWASHER: Copper alloy, tin plating
NUT: Copper alloy, tin plating

ELECTRICAL PROPERTIES

CURRENT RATING: 15 Amps

ENVIRONMENTAL PROPERTIES

TEMPERATURE RATING: -55°C TO 125°C



Ordering Information

CATALOG NO.	A	B	PCB THICKNESS RANGE	APPLICATION
KPR-01-2	10.80 (.425)	1.39 (.055)	2.22 (.088) – 4.90 (.193)	END MOUNT
KPR-02-2	8.26 (.325)	1.39 (.055)	1.46 (.058) – 2.21 (.087)	
KPR-03-2	7.25 (.285)	1.39 (.055)	1.45 (.057) MAX	
GPR-01-2	10.80 (.425)	3.40 (.134)	2.22 (.088) – 4.90 (.193)	CENTER MOUNT
GPR-02-2	8.26 (.325)	3.40 (.134)	1.46 (.058) – 2.21 (.087)	
GPR-03-2	7.25 (.285)	3.40 (.134)	1.45 (.057) MAX	

POLARIZING KEYS MALE AND FEMALE XD/P™ AND EXTENDED INVERSE DIN CONNECTORS



LR49571 E60960

**OCTAGONAL KEYS PROVIDE 64
DIFFERENT COMBINATIONS (8x8)**

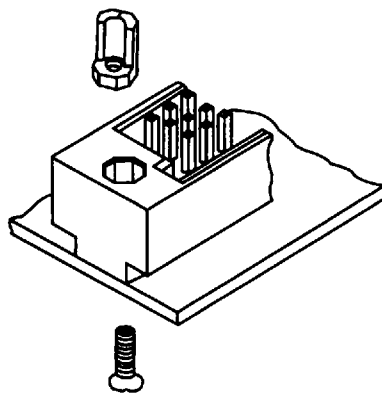
MATERIALS AND FINISH

SCREW MATERIAL: Stainless steel, passivated

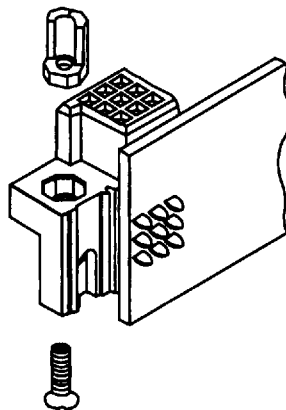
KEY MATERIAL: Zinc die cast, nickel plate overall



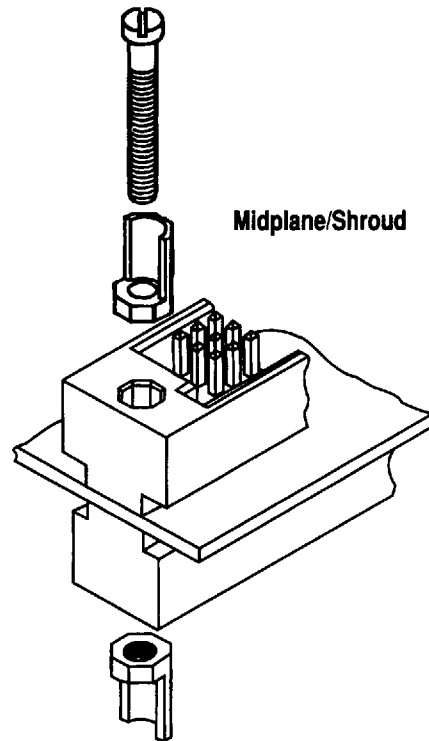
Mother Board



Daughter Card



Midplane/Shroud



Ordering Information

APPLICATION	CATALOG NO.	HEAD TYPE	THREAD LENGTH	THREAD SIZE	RECOMMENDED BOARD THICKNESS	
					XD/P	INVERSE DIN
Daughter Card	KHK-01-3	Slotted	4.74 (.187)	#2 - 56 UNC	N/A	
Mother Board	KHK-03-3	Slotted	7.92 (.312)	#2 - 56 UNC	Up to $\frac{1.77}{(.070)}$	$\frac{2.79}{(.110)}$ to $\frac{4.36}{(.172)}$
Mother Board	KHK-05-3	Slotted	9.52 (.375)	#2 - 56 UNC	$\frac{1.80}{(.071)}$ to $\frac{3.35}{(.132)}$	N/A
Mother Board	KHK-07-3	Slotted	6.35 (.250)	#2 - 56 UNC	N/A	
Mother Board	KHK-09-3	Slotted	11.12 (.438)	#2 - 56 UNC	$\frac{3.37}{(.133)}$ to $\frac{4.97}{(.196)}$	N/A
Midplane/Shrouds	KHS-01-3	Slotted	19.05 (.750)	#1 - 64 UNC	$\frac{4.52}{(.178)}$ to $\frac{7.62}{(.300)}$	N/A
Midplane/Shrouds	KHS-02-3	Slotted	15.87 (.625)	#1 - 64 UNC	$\frac{1.42}{(.056)}$ to $\frac{4.52}{(.178)}$	N/A

HARDWARE APPLICATIONS
MOUNTING EAR KITS
RIGHT ANGLE MALE
XD/P™ CONNECTORS



SCREW AND NUT MATERIAL AND FINISH

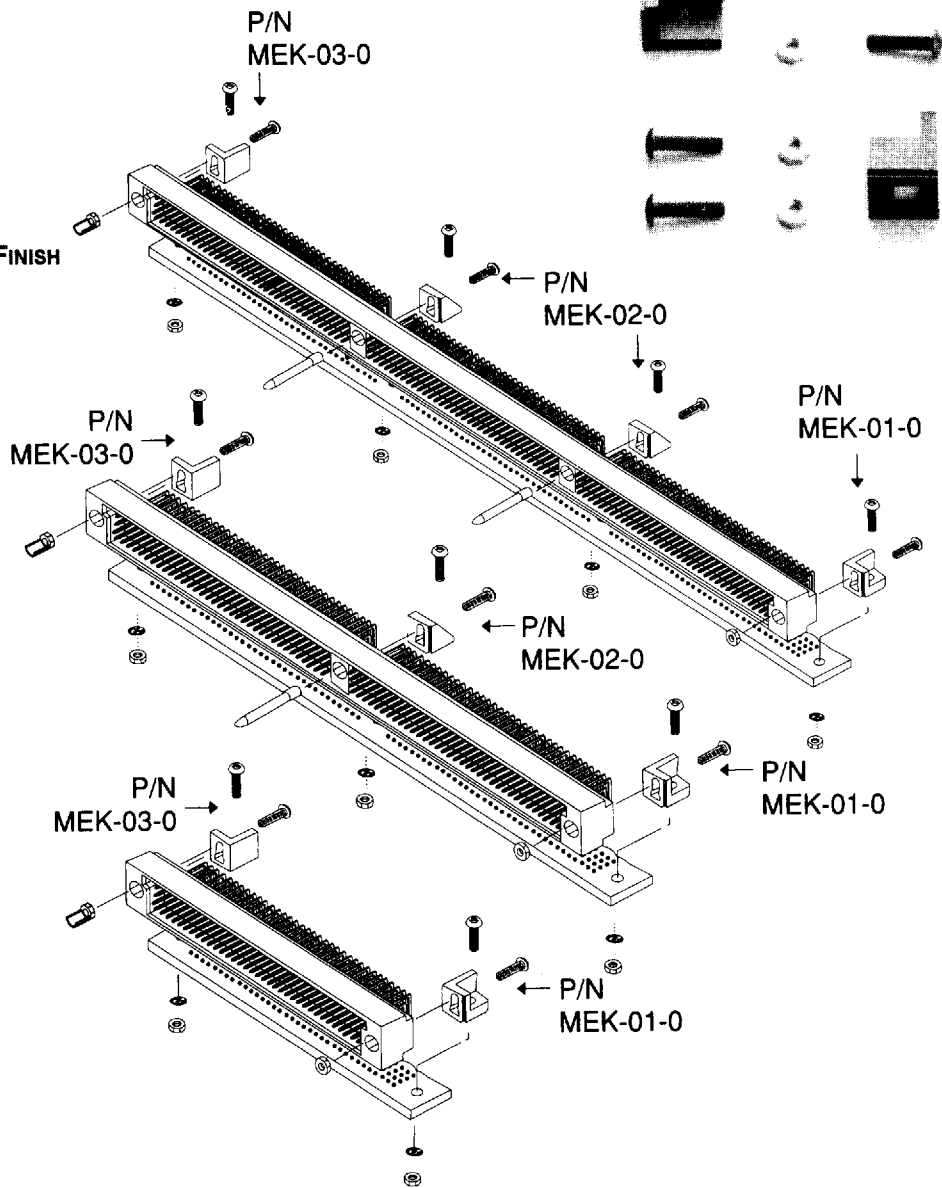
STEEL: Black oxide finish

MOUNTING EAR MATERIAL

Glass filled thermoplastic rated UL 94V-0
Color: Black

GUIDE PIN MATERIAL AND FINISH

Brass, nickel plate overall



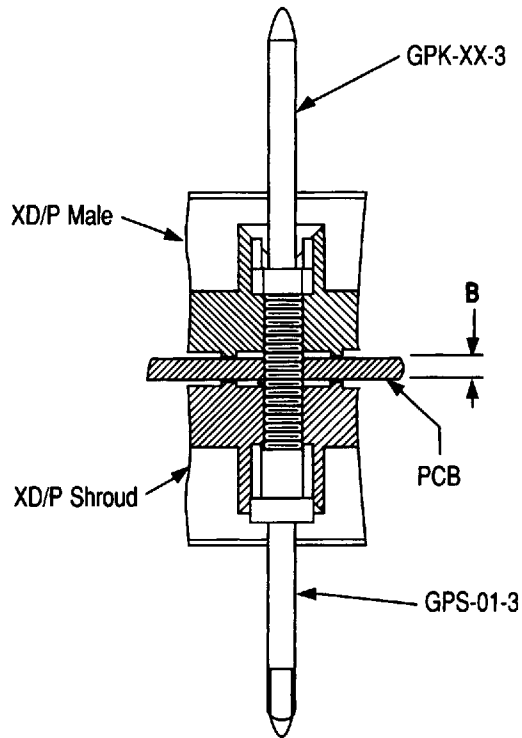
Ordering Information

CATALOG NUMBER	APPLICATION	KIT CONTAINS
MEK-01-0	End Mount Without Polarization	1 Right Hand Mounting Ear 1 Left Hand Mounting Ear 4 #2 - 56 UNC Screws 4 Octagonal Nuts 2 Internal Tooth Lockwashers
MEK-02-0	Center Mount With Guide Pin	1 Center Mounting Bracket 1 Center Mount Guide Pin #2 - 56 2 #2 - 56 UNC Screws 1 Hex Nut #2 - 56 UNC 1 Internal Tooth Lockwasher
MEK-03-0	End Mount With Polarizing Keys	1 Right Hand Mounting Ear 1 Left Hand Mounting Ear 4 #2 - 56 UNC Screws 2 Octagonal Nuts 2 Octagonal Polarizing Keys 2 Internal Tooth Lockwashers

GUIDE POSTS MIDPLANE/SHROUD MALE XD/P™ CONNECTORS

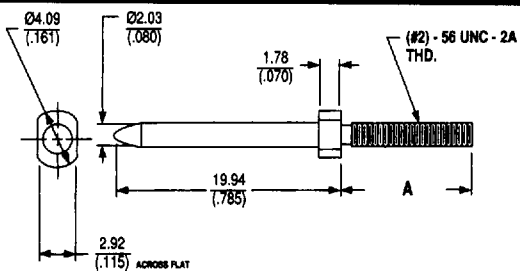


MATERIALS
Stainless steel, passivated



Ordering Information

CATALOG NO.	A	B
		PCB THICKNESS RANGE
GPK-05-3	13.21 (.520)	1.42 to 2.97 (.056) to (.117)
GPK-05-3	14.99 (.590)	2.97 to 4.57 (.117) to (.180)
GPK-05-3	16.51 (.650)	4.57 to 6.60 (.180) to (.260)
GPK-05-3	17.53 (.690)	6.60 to 7.50 (.260) to (.295)



GPS-01-3

