

Plastic Lever Actuator

Miniature

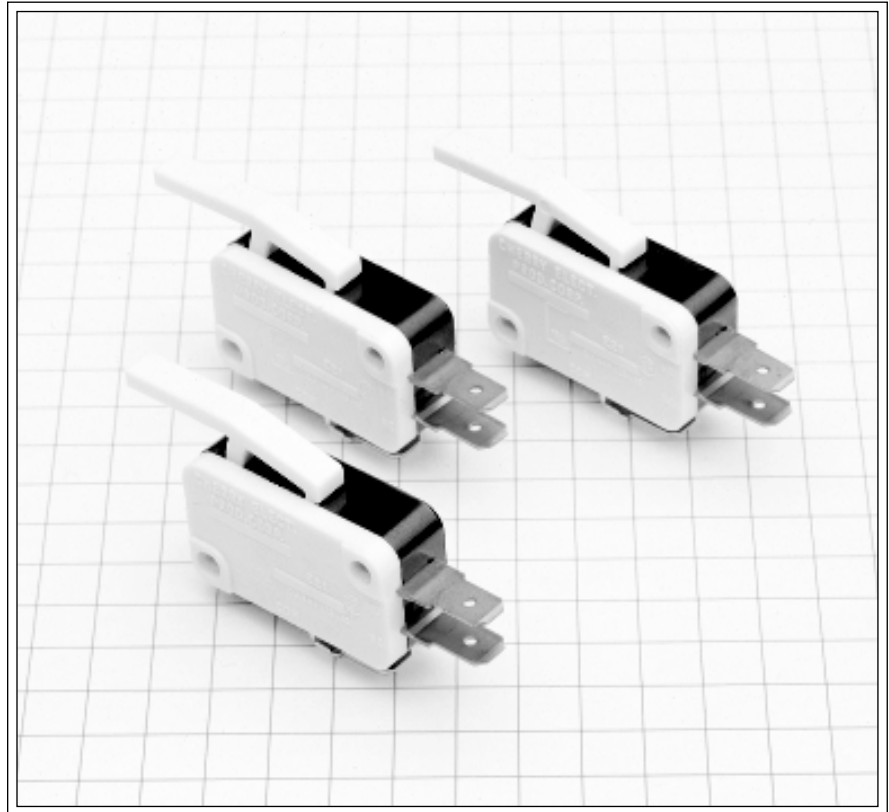
Standard and Light Force

E21	0.1 amp
E22	3 amp
E23	5 amp
E31	1 amp
E33	10 amp
E34	15 amp
E35*	20.1 amp
E36*	25 amp

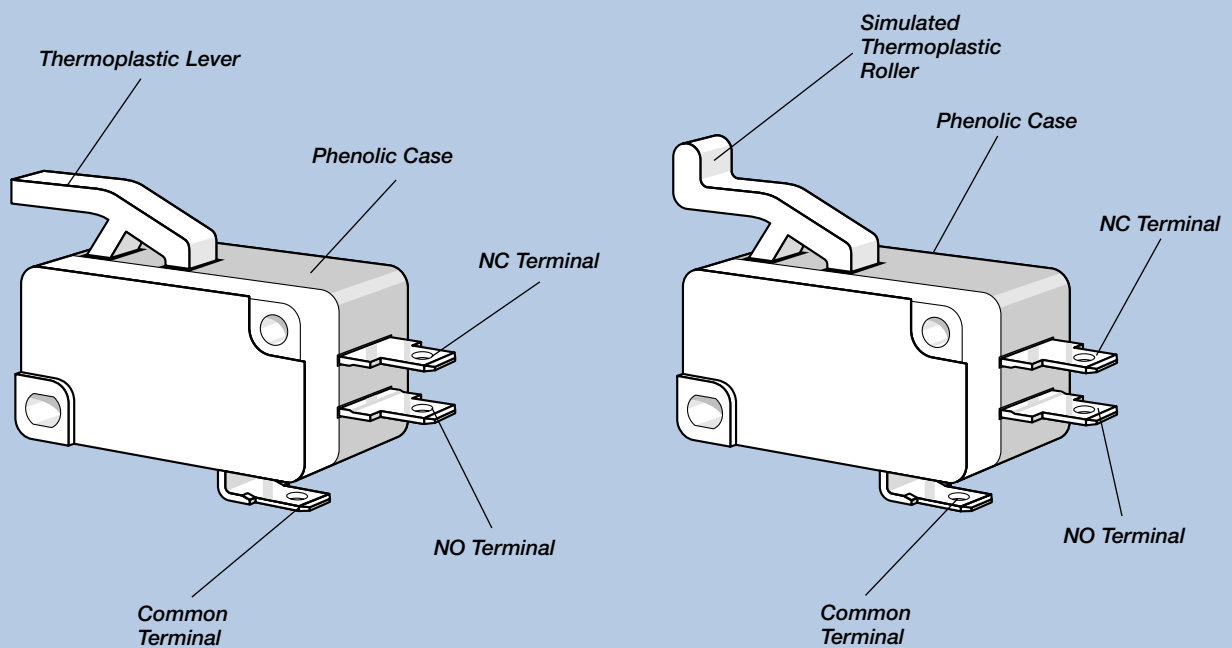
Features

- 8 current ratings
- 2 actuator styles
- Choice of terminals
- 3 contact arrangements
- Choice of standard or light operating force
- Only available in 85°C

* E35 and E36 available with 0.250 Q.C. terminals only.



Molded plastic unitary hinged lever combines switch actuator and button.

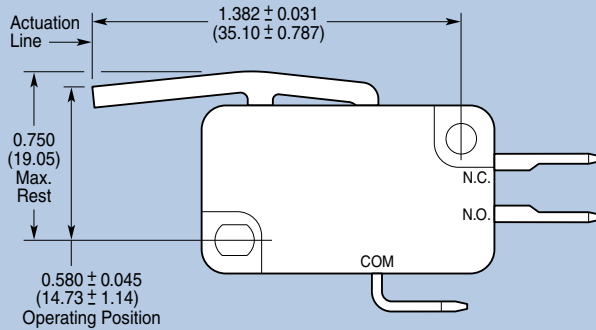


Plastic Lever Actuator

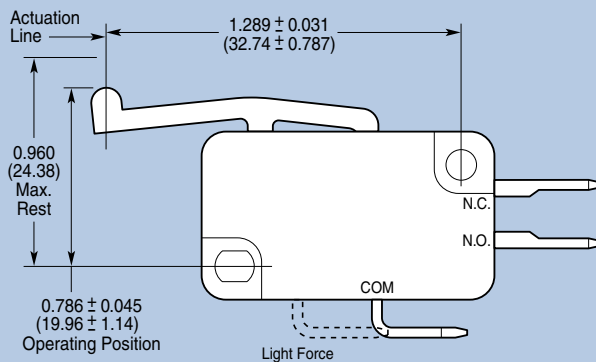
Miniature

Dimensions: Inches (mm)

Part Number Suffix -50N



Part Number Suffix -90N



3

Electrical Specifications/Life

See electrical life chart on page 11-4.

Note: For Contacts and Ratings and Materials:
E Series – Standard and Light Force Miniature
on pages 3-18 through 3-25.

How to Order

Select the current rating you need. Combine the corresponding Series/Prefix number with the appropriate part number suffix (50N or 90N standard force, 50NX or 90NX light force.)

Example: 10 amp with simulated roller, light force part number is E33-90NX.

Note: 0.187" Quick Connect terminals are standard. When ordering screw, solder, or 0.250" Quick Connect terminals consult factory for part number.