

SPECIFICATIONS

Tact Switch

Tact Switch, L SMT Type, W/ Ground

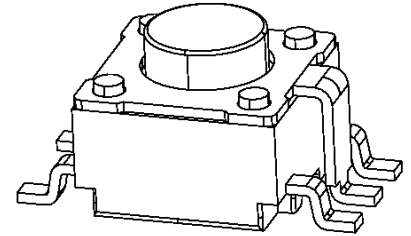
Electrical

- Rating:** 50mA max.
- Contact Resistance:** 100m max.
- Insulation Resistance:** 100M min.
- Dielectric Withstanding Voltage:** 250V AC for 1 Minute
- Bounce:** 5ms max.

Mechanical

- Operating Force & Durability:**

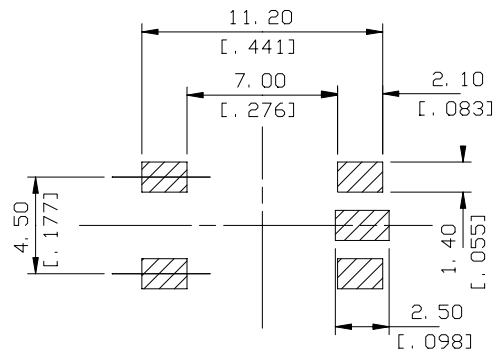
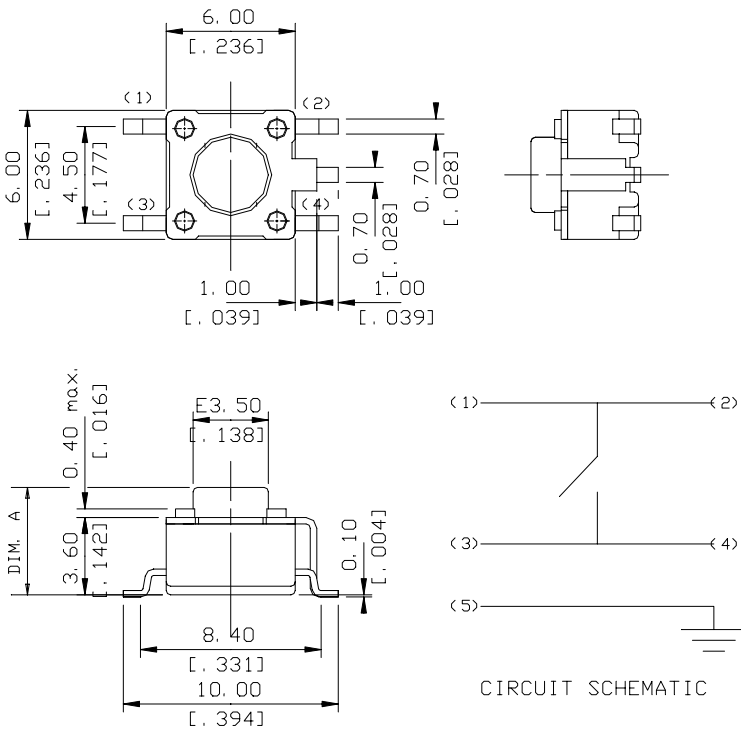
100±30gf	1000000 Cycles
160±50gf	1000000 Cycles
260±80gf	100000 Cycles
- Travel:** 0.25+0.2/-0.1mm
- Return force:** 25gf min.



Physical

Operating Temperature: -20 to +70

DRAWING



ORDERING INFORMATION

PRODUCT NO.: 1BT003-2****-***

- Switch Series
- Tact Type
- Product Series
- Prod. Size: 2=6.0mm*6.0mm
- Total Height
- 5=4.3mm
- 6=5.0mm
- 7=7.0mm
- Plating:
 - 0=Standard
 - L=Leadfree
- Terminal:
 - 0=L SMT
 - 2=T/H
- Operating Force:
 - 1=100gf
 - 2=160gf
 - 3=260gf
- Modification Code:
 - None=w/o Ground
 - 001=w/ Ground

P/N	OPERATING FORCE	DIM. A
1BT003-2510*-001	100±30gf	4.3
1BT003-2520*-001	160±50gf	4.3
1BT003-2530*-001	260±80gf	4.3
1BT003-2610*-001	100±30gf	5.0
1BT003-2620*-001	160±50gf	5.0
1BT003-2630*-001	260±80gf	5.0
1BT003-2710*-001	100±30gf	7.0
1BT003-2720*-001	160±50gf	7.0
1BT003-2730*-001	260±80gf	7.0