

PRODUCT CATALOG

LOW POWER FIELD EFFECT TRANSISTORS

MOS-FETS, SINGLES, ENHANCEMENT MODE, P CHANNEL

Type Number	Case Style (TO—)	Geometry	V(Br) _{des} Min (V)	I _{gss} Max (pA)	V _{gs(th)} (V)		I _{dss} Max (nA)	R(on) Max (ohms)	Y _{fs} (mMhos)		C _{iss} Max (pF)	C _{rss} Max (pF)	T _{d(on)} Max (nsec)
					Min	Max			Min	Max			
3N163	72	FMP1.1	40	10	2.0	5.0	0.2	2.50	2000u	4000u	2.5	0.7	12
3N164	72	FMP1.1	30	10	2.0	5.0	0.4	3000	1000u	4000u	2.5	0.7	12
3N172	72	FMPZ1.1	40	200	2.0	5.0	0.4	250	1500u	4000u	3.5	1.0	12
3N173	72	FMPZ1.1	30	200	2.0	5.0	1.0	350	1000u	4000u	3.5	1.0	12

MOSFETS, DUAL MONOLITHIC ENHANCEMENT MODE, P-CHANNEL

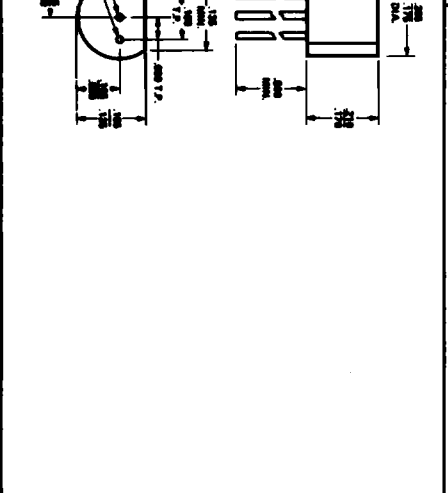
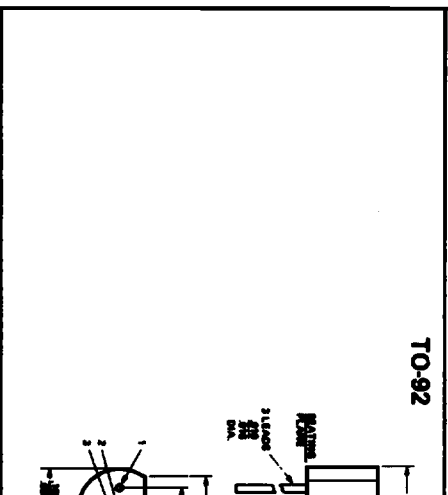
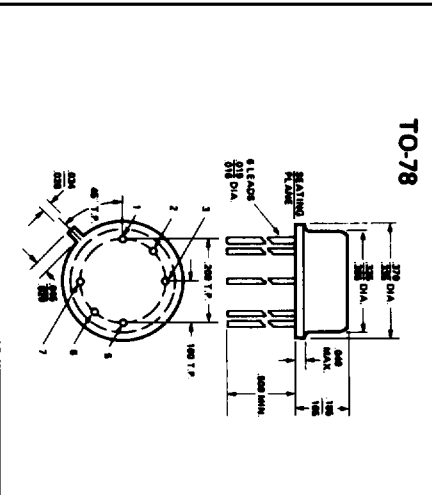
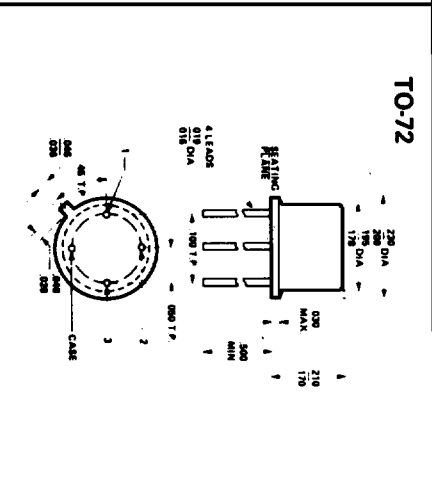
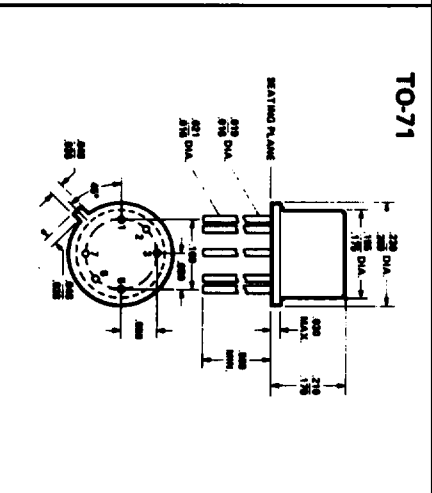
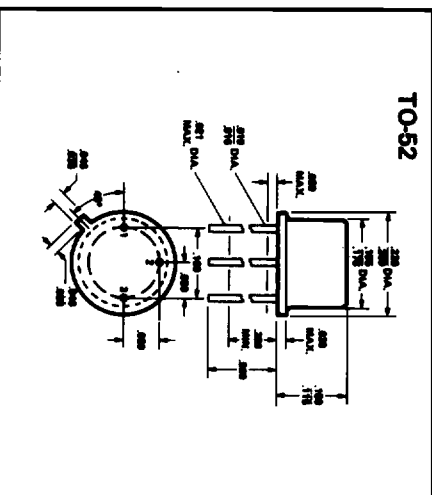
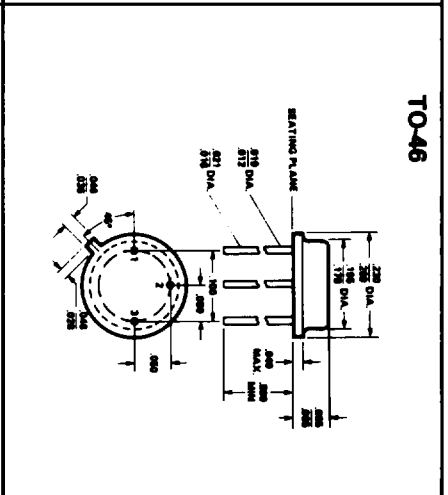
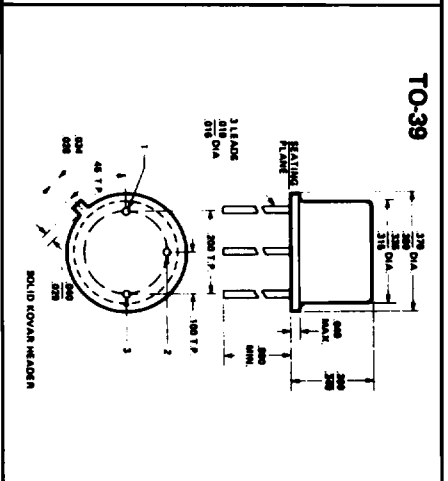
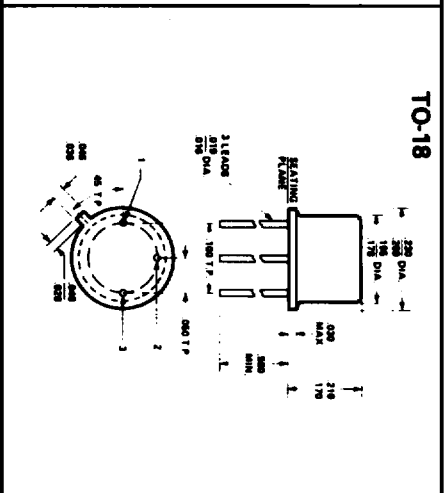
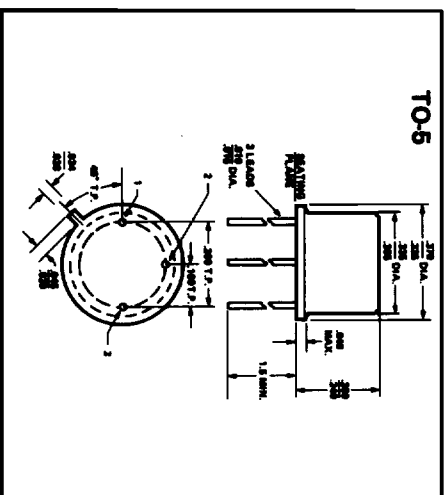
Type Number	Case Style (TO—)	Geometry	BV _{gss} Min (V)	C _{iss} Max (pF)	V _{gs(th)} (V)		I _{dss} (mA)		Y _{fs} (UMhos)		Y _{fs} '/ Y _{fs} ' Match (%)	I _{dss} '/ I _{dss} ' Match (%)	V _{gs} ¹ (mV)	ΔV _{gs} (uV/°C)	Y _{os} Max (uMhos)	I _{gss} Max (nA)
					Min	Max	Min	Max	Min	Max	Min	Max	Min	Max		
3N165	99	DFMP1	-40	-10	-2.0	01 -5.0	-200	300	1500μ	3000μ	3.0	0.7	15	0.9	1.0	100
3N166	99	DFMP1	-40	-10	-2.0	01 -5.0	-200	300	1500μ	3000μ	3.0	0.7	15	—	—	—
3N188	99	DFMPZ2	-40	-200	-2.0	10 -5.0	-200	300	1500μ	4000μ	4.5	1.5	15	0.85	1.0	100
3N189	99	DFMPZ2	-40	-200	-2.0	10 -5.0	-200	300	1500μ	4000μ	4.5	1.5	15	—	—	—
3N190	99	DFMP2	-40	-200	-2.0	10 -5.0	-200	300	1500μ	4000μ	4.5	1.0	15	0.85	1.0	100
3N191	99	DFMP2	-40	-10	-2.0	10 -5.0	-20	300	1500μ	4000μ	4.5	1.0	15	—	—	—

MOSFETS, N-CHANNEL ENHANCEMENT MODE

Type Number	Case Style (TO—)	Geometry	V(Br) _{des} Min (V)	I _{gss} Max (pA)	V _{gs(th)} (V)		I _{dss} Max (nA)	R(on) Max (ohms)	Y _{fs} (mMhos)		C _{iss} Max (pF)	C _{rss} Max (pF)	T _{d(on)} Max (nsec)
					Min	Max			Min	Max			
3N169	72	FMN1.1	25	10	.5	1.5	10	100	1000	—	5	1.3	1
3N170	72	FMN1.1	25	10	1.0	2.0	10	195	1000	—	5	1.3	2
3N171	72	FMN1.1	25	10	1.5	2.0	10	195	1000	—	5	1.3	2
2N7104	72	FMN1.2	30	10	0.5	2.0	10	50	10m	—	6.0	2.0	1
2N7105•	72	FMNZ1.2	30	10	0.5	2.0	10	50	10m	—	6.0	2.0	1
2N7106	72	FMN1.2	10	10	0.1	2.0	10	50	10m	—	6.0	2.0	1
2N7107•	72	FMNZ1.2	10	10	0.1	2.0	10	50	10m	—	6.0	2.0	1
2N7108	72	FMN1.2	20	10	0.1	2.0	10	50	10m	—	6.0	2.0	1
2N7109•	72	FMNZ1.2	20	10	0.1	2.0	10	50	10m	—	6.0	2.0	1
SDF8200	72	FMN35.3	25	100	0.1	2.0	1μA	70	13m	—	3.0	0.3	—
SDF8201•	72	FMNZ35.3	25	1nA	0.1	2.0	1μA	70	13m	—	3.0	0.3	—
SDF8202	72	FMN35.3	20	100	0.1	2.0	1μA	50	17m	—	3.6	0.3	—
SDF8203•	72	FMNZ35.3	20	1nA	0.1	2.0	1μA	50	17m	—	3.6	0.3	—
SDF9210	72	FMN35.5	30	100	0.5	2.0	10	70	10m	—	3.5	0.5	1
SDF9211•	72	FMNZ35.3	30	10nA	0.5	2.0	10	70	10m	—	3.5	0.5	1
SDF9212	72	FMN35.3	10	100	0.1	2.0	10	70	10m	—	3.5	0.5	1
SDF9213•	72	FMNZ35.3	10	10nA	0.1	2.0	10	70	10m	—	3.5	0.5	1
SDF9214	72	FMN35.3	20	100	0.1	2.0	10	70	10m	—	3.5	0.5	1
SDF9215•	72	FMNZ35.3	20	10nA	0.1	2.0	10	70	10m	—	3.5	0.5	1

• ZENER PROTECTED

Package Outlines



All dimensions in inches unless otherwise indicated.