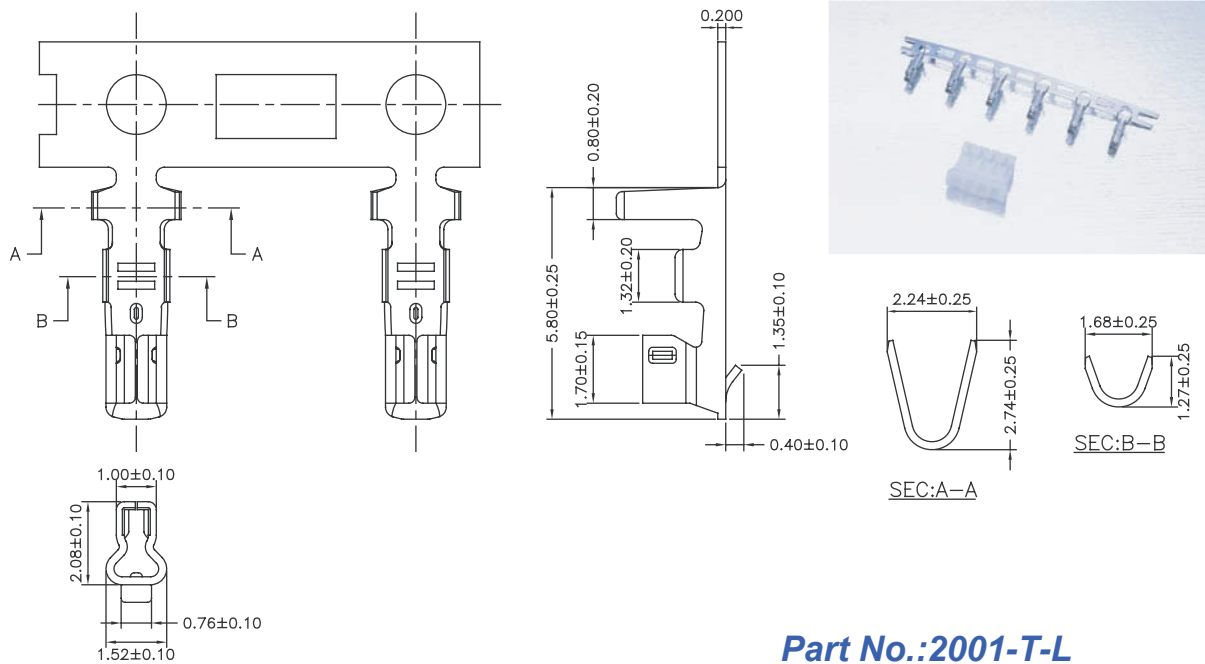




## 2.0mm TERMINAL / HOUSING



Wire Range	Insulation O.D.	Material	Finish	Qty/reel
AWG#24-#30	1.50mm(max)	Phosphor Bronze	Tin-plated	10,000pcs

### SPECIFICATIONS

Current Rating: 2A AC,DC  
 Voltage Rating: 100V AC,DC  
 Temperature Range: -25°C ~ +85°C  
 Contact Resistance: 10mΩ Max.  
 Insulation Resistance: 1000MΩ Min.  
 Withstanding Voltage: 800V AC/minute  
 Material: Nylon 66,UL94V-0  
 Color: Natural(White)

PART NO.	Dimensions	
	A	B
2001H-02W-L	2.00	5.80
2001H-03W-L	4.00	7.80
2001H-04W-L	6.00	9.80
2001H-05W-L	8.00	11.80
2001H-06W-L	10.00	13.80
2001H-07W-L	12.00	15.80
2001H-08W-L	14.00	17.80
2001H-09W-L	16.00	19.80
2001H-10W-L	18.00	21.80
2001H-11W-L	20.00	23.80
2001H-12W-L	22.00	25.80
2001H-13W-L	24.00	27.80
2001H-14W-L	26.00	29.80
2001H-15W-L	28.00	31.80
2001H-16W-L	30.00	33.80
2001H-17W-L	32.00	35.80
2001H-18W-L	34.00	37.80

